



KM-2500S_H3

3 PHASE STACKABLE ICE CUBER



KM-2500S_H3
03/31/17
Item # 13246

W x D x H
48" x 27^{3/8}" x 36^{7/16}"

KM-2500SWH3
Water-Cooled 3 Phase
Shown on optional bin: B-900

KM-2500SRH3
Remote Air-Cooled 3 Phase



Features

▶ Individual crescent cube

▶ Stainless steel evaporator

▶ CycleSaver™ design

- Up to 2429 lbs. of ice production per 24 hours
- Stackable for 4858 lbs. per 24 hours ice production in the same floor space
- Durable stainless steel exterior
- Protected by H-GUARD Plus® Antimicrobial Agent
- EverCheck™ alert system
- R-404A Refrigerant

Available on Bins:

B-800 **B-1150SS** **B-1500SS** *Top kit may be required.*
B-900 **B-1300SS** **B-1650SS** *See Bin Spec Sheets.*

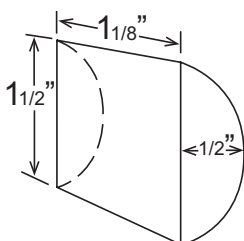
Warranty:

Valid in United States, Canada, Puerto Rico and U.S. Territories.
Contact factory for warranty in other countries.



Condenser	Model	ICE PRODUCTION		Per Cycle		WATER USAGE			ELECTRICAL			Heat Rejection BTU/hr.	Shipping Weight	ENERGY STAR®	
		Air / Water Temp Lbs. per 24 hours	70°/50°F 90°/70°F	Lbs.	Cubes	Potable Gal. per 100 lbs. 90°/70°F	Condenser Gal. per 100 lbs. 90°/70°F	kWh Used per 100 lbs. 90°/70°F	Max. Fuse Size or HACR Circuit Breaker	Amperage	Voltage				
3 Phase	Water-Cooled	KM-2500SWH3	2429	2365	47.1	2160	17.2	127	3.54	30A	14.2A	208-230V/60/3	33,200	415 lbs.	
	Remote Air-Cooled	KM-2500SRH3	2424	2235	46.1	2160	18.6	N/A	4.50	30A	17.7A	208-230V/60/3	40,600	440 lbs.	

KM Cube Dimensions*



* approximate size in inches, image not to scale

Operating Limits

- Ambient Temp Range 45 - 100°F
- Water Temp Range 45 - 90°F
- Water Pressure 10 - 113 PSIG
- Voltage Range 187 - 253V

Service

- Panels easily removed and all components accessible for service.
- Allow 6" (15 cm) clearance at rear, sides, and top for proper air circulation and ease of maintenance/service.

Plumbing

- Icemaker Water Supply Line: Minimum 3/8" Nominal ID Copper Water Tubing or Equivalent
- Icemaker Drain Line: Minimum 3/4" Nominal ID Hard Pipe or Equivalent
- Water-Cooled Model (Lines Must Be Independent of Icemaker)
- Condenser Water Supply Line: Minimum 3/8" Nominal ID Copper Water Tubing or Equivalent
- Condenser Drain/Return Line: Minimum 3/8" Nominal ID Hard Pipe (open drain system) or Copper Water Tubing (closed loop system) or Equivalent



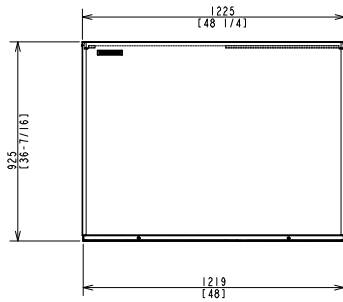
KM-2500S_H3

3 PHASE STACKABLE ICE CUBER

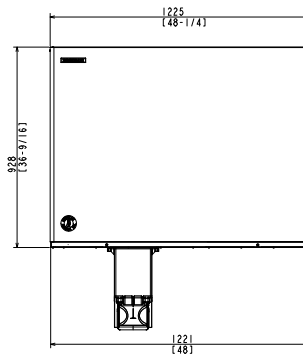


KM-2500S_H3
03/31/17
Item # 13246

FRONT VIEW

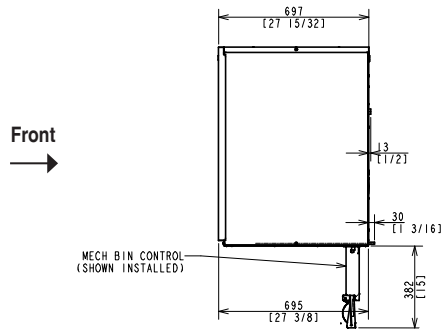


WATER-COOLED

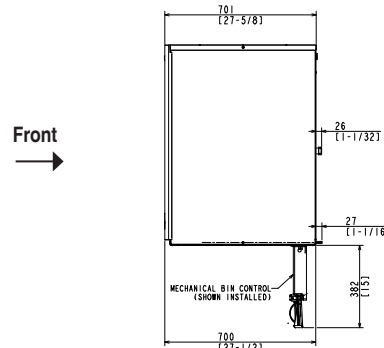


REMOTE AIR-COOLED

SIDE VIEW

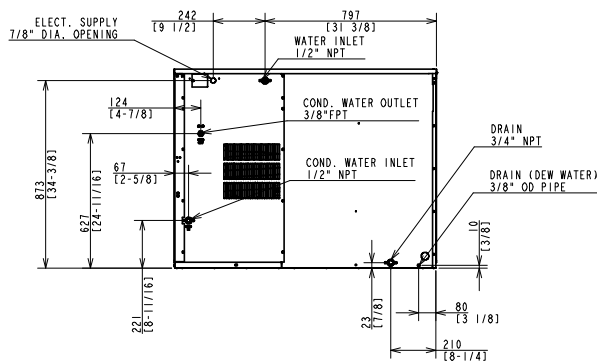


WATER-COOLED

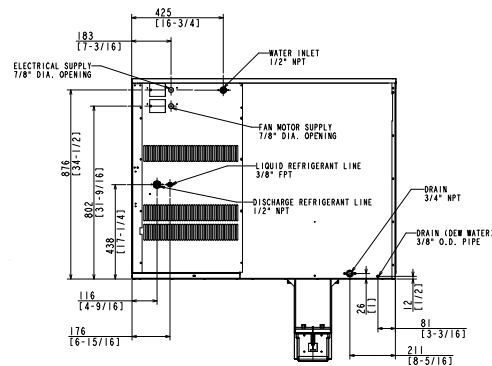


REMOTE AIR-COOLED

REAR VIEW

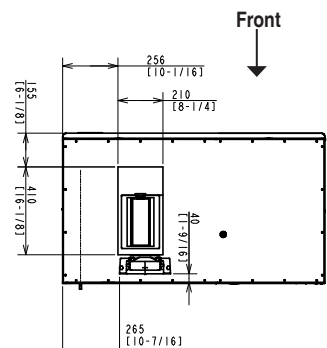


WATER-COOLED

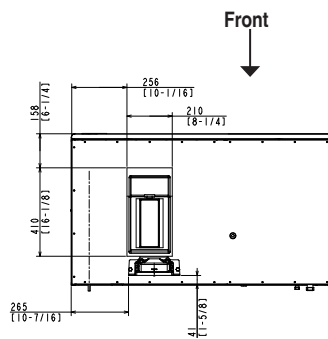


REMOTE AIR-COOLED

BOTTOM VIEW

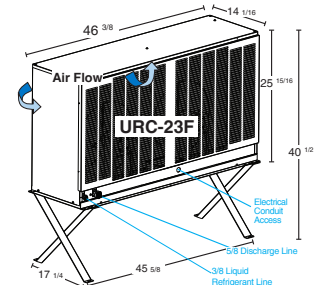


WATER-COOLED



REMOTE AIR-COOLED

URC-23F Remote Condenser (Sold Separately)
(W x D x H) 46^{3/8} X 14^{1/16} X 40^{1/2}
For Use with KM-2100SRJ3



Pre-Charged Tubing Kits
(Sold Separately)
20' R404-20610
35' R404-35610
55' R404-55610



Voltage supply for the URC Remote Condenser is supplied from the Ice Maker. No additional circuit is required.