



Automatic Three Gallon Coffee Urns

Job _____

Item# _____

Models: FE75N • CH75N • CL75N
FE100N • CH100N • CL100N



43-05 20th Avenue | Long Island City, NY 11105 | Ph: 800-935-2211, 718-932-1414 | Fx: 718-932-7860 | customer.service@cecilware.com | www.cecilware.com



Automatic Three Gallon Coffee Urns



Specifications				
Model	Description	Dimensions W x D x H	Electrical	Ship Weight
Single 3 Gal. Urns	FE75N Adjustable By-Pass Automatic Agitator Solid State Timer	21½" x 17½" x 28½"	120/240V, 7KW, 29A, 1Phase 120/208V, 5.3KW, 26A, 1Phase 120/240V, 6KW, 15A, 3Phase 120/208V, 4.5KW, 12A, 3Phase	75 lbs.
	CH75N Chinese Hot Tea Urn Electro-Mechanical Timer			
	CL75N Adjustable By-Pass Push-Button Agitator Electro-Mechanical Timer			
Twin 3 Gal. Urns	FE100N Adjustable By-Pass Automatic Agitator Solid State Timer	33½" x 17½" x 28½"	120/240V, 8KW, 34A, 1Phase 120/208V, 6KW, 29A, 1Phase 120/240V, 8KW, 20A, 3Phase 120/208V, 6KW, 17A, 3Phase	100 lbs.
	CH100N Chinese Hot Tea Urn Electro-Mechanical Timer			
	CL100N Adjustable By-Pass Push-Button Agitator Electro-Mechanical Timer			

NEW Features

- ✓ New modern look and user-friendly operation.
- ✓ New silicone fittings prevent corrosion, pitting, & leakage.
- ✓ New solid-state dual water level control.
- ✓ Relocated thermostat sensor to side box for easy access and service.
- ✓ Seamless urn liners standard.
- ✓ Easy changing of the water pump or thermostat – no need to empty urn completely.
- ✓ Provides (2) brew cycle choices, full batch and half batch. Full batch standard, half batch optional.
- ✓ Relocated thermometer – easier to read.
- ✓ Relocated agitator pump.
- ✓ Relocated blend hoses.



Specifications subject to change without notice

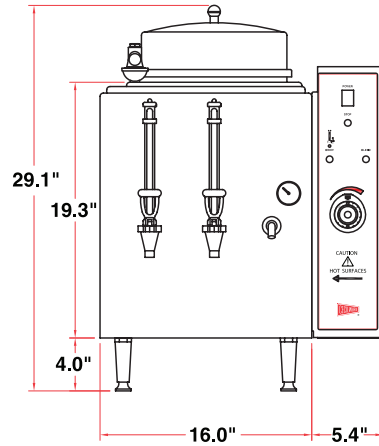


Automatic Three Gallon Coffee Urns

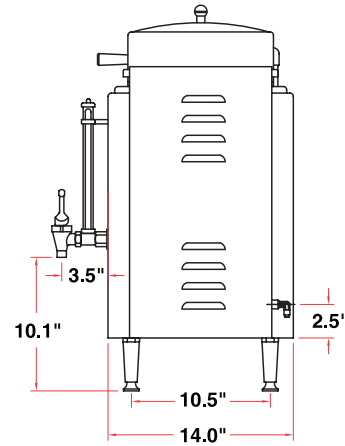
Models: FE75N • CH75N • CL75N
FE100N • CH100N • CL100N

Dimensions

FE75N, CH75N, CL75N

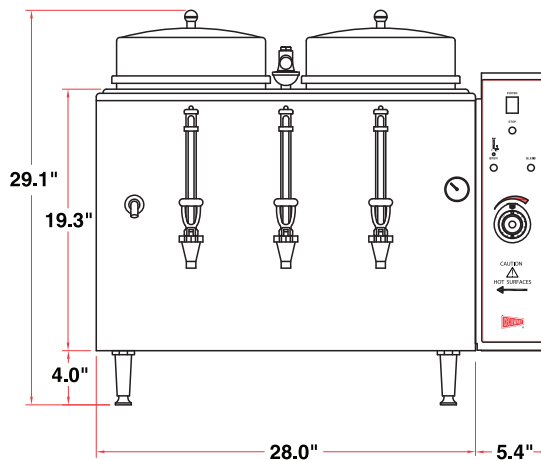


Front View

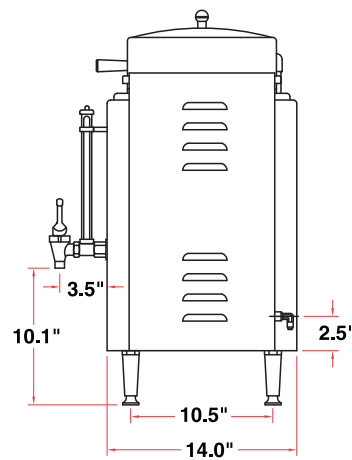


Side View

FE100N, CH100N, CL100N



Front View



Side View

NEW Parts for Single & Twin 3 Gallon Urns

Part	Description	Part	Description
32004	Red Indicator Light	L155A	Power Switch
B157A	Terminal Block	L214A	Dual Brew Timer - 120V
CD417	Inlet Valve - 120V	L216A	Dual Brew Timer - 220V
CD418	Inlet Valve - 220V	L532A	Thermostat
CG12A	Contactors - 120V COIL	L584A	Push Button Switch
C036A	Contactors - 220V COIL	L775A	Level Sensor Board - 120V
K491B	Hose Nut Assembly	L776A	Level Sensor Board - 220V
K810Q	Dual Probe Level Sensor	M461A	Seal Silicone 12mm
		M462A	Seal Silicone 15mm

Specifications subject to change without notice

Tel: 800.935.2211
Tel: 718.932.1414
Fax: 718.932.7860

www.cecilware.com

Cecilware Corporation
43-05 20th Ave., LIC NY 11105

