



COMMERCIAL RESIN FURNITURE

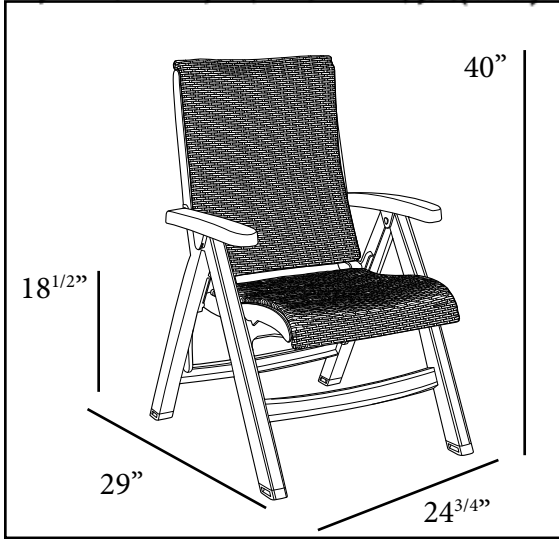
*Your best value for Food Service & Hospitality!*

# New Color!

## Java All Weather Wicker Folding Chair

Meets the performance standards of EN 581-1 and EN 581-2 for commercial use.

***Wicker Weave is Easy to Replace!***



**Features & Benefits** **Warranty: 3 Yrs.**

- Specifically designed to provide comfort and ease of utilization and storage in hospitality environments.
- High strength resin wicker frame, specifically woven to perform in commercial outdoor environments.
- Viro® branded fiber highly flexible for comfort and resistant to color fading, cracking, peeling & breaking.
- Color coordinates with Grosfillex® Java All Weather Wicker chaise.
- Rated to 300 lbs. in compliance with the requirements of EN 1728 for non-residential use.
- Hard wearing footpads for extra wear resistance on hard deck surfaces.
- Folds flat for easy storage.
- Easy to clean - simply powerwash!
- A locking device secures the seat of the chair into position for safe use.
- Easy to replace wicker weave for repair or renovation.

<b>Product Specifications</b>						
Product Description	Reference Number	Color	UPC Code 014306	Weight Each (lbs.)	Master Pack	Master Pack Volume (cu. ft.)
Java All Weather Wicker Chair <i>New Color!</i>	CT356037	Espresso	912356	21.46	2	8.57
	CT357008	Honey	912363			
	CT406181	Moccacino	914589			