



08/2020
Item #382HSPW35

3.5 QT. WARMER WITH HEATED SPOUT AND PUMP



Features

- Perfect for serving nacho cheese, hot fudge, chili, buttery topping, and other hot toppings
- Accepts a #10 can or 3.5 qt. bain marie pot (sold separately)
- Heated spout ensure toppings come out piping hot from start to finish
- Features 7 decals that easily slide in and out for simple product identification
- Rubber feet prevent movement during use
- Incredibly simple to operate
- 120V, 550W

Product Specifications



Item#	382HSPW35
Capacity	#10 Can or 3.5 Quart Bain Marie
Unit Dimensions	9"W x 11.6"D x 9.6"H
Voltage	120V
Wattage	550W
Plug	5-15P

Parts

3.5 Qt. Warmer Pump Assembly (#382PW35)

Use this Carnival King PW35 3.5 qt. warmer pump assembly to quickly and easily replace the damaged component on compatible warmers. Whether you need to dispense rich hot fudge, sharp nacho cheese, buttery popcorn topping, or mouthwatering chili, this full assembly pump is a great way to get your warmer up and running in no time!



Also Available...

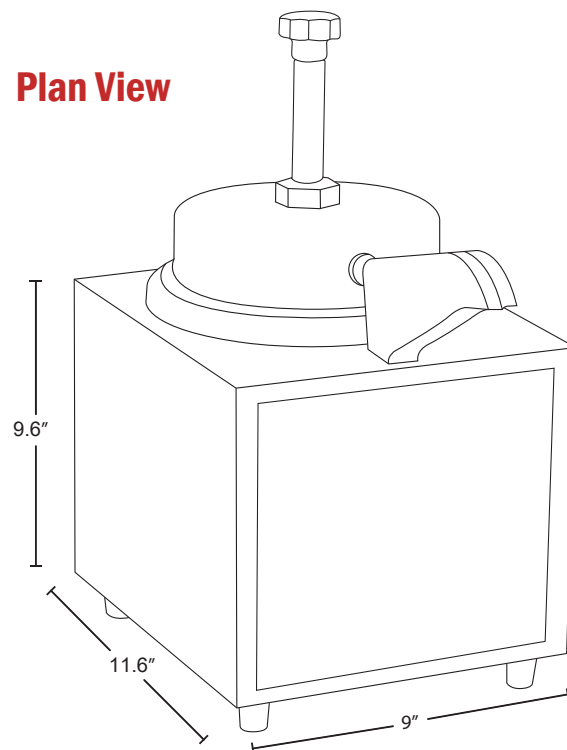
Cheddar Cheese Sauce (#106SCECHDR)

#10 Can, Available Individually or 6/Case

Kick up the flavor of any popular snack food with this creamy and cheesy Carnival King cheddar cheese sauce! Your patrons will also love dunking their concession stand nachos or fries into this smooth and cheesy sauce! Featuring the sharp taste of fresh cheddar cheese, the smooth consistency and appealing yellow-orange color of this cheese sauce is sure to enhance the texture, taste, and appearance of your customers' favorite concession stand fare.



Plan View



WWW.CARNIVALKINGSUPPLIES.COM