



GROWLER FILLING 2.0 IS HERE!

TECHNOLOGY MEETS GROWLERS

- Fills from up to 4 kegs
- Self-adjusting pressure & speed filling
- Adds counter pressure to growler
- Touchscreen pad controls, prompts user thru
- Gently fills down the inside wall of growler
- Pre-set for popular 64oz growler
- Easily mounts to Micro Matic Pro-Line
 - Direct Draw: use existing tower bolt holes
- Recirculating glycol lines included for long draw install
- Complete pressure regulator install kit, additional




GF-14515-G2



MBB94-E with GF-14515-G2

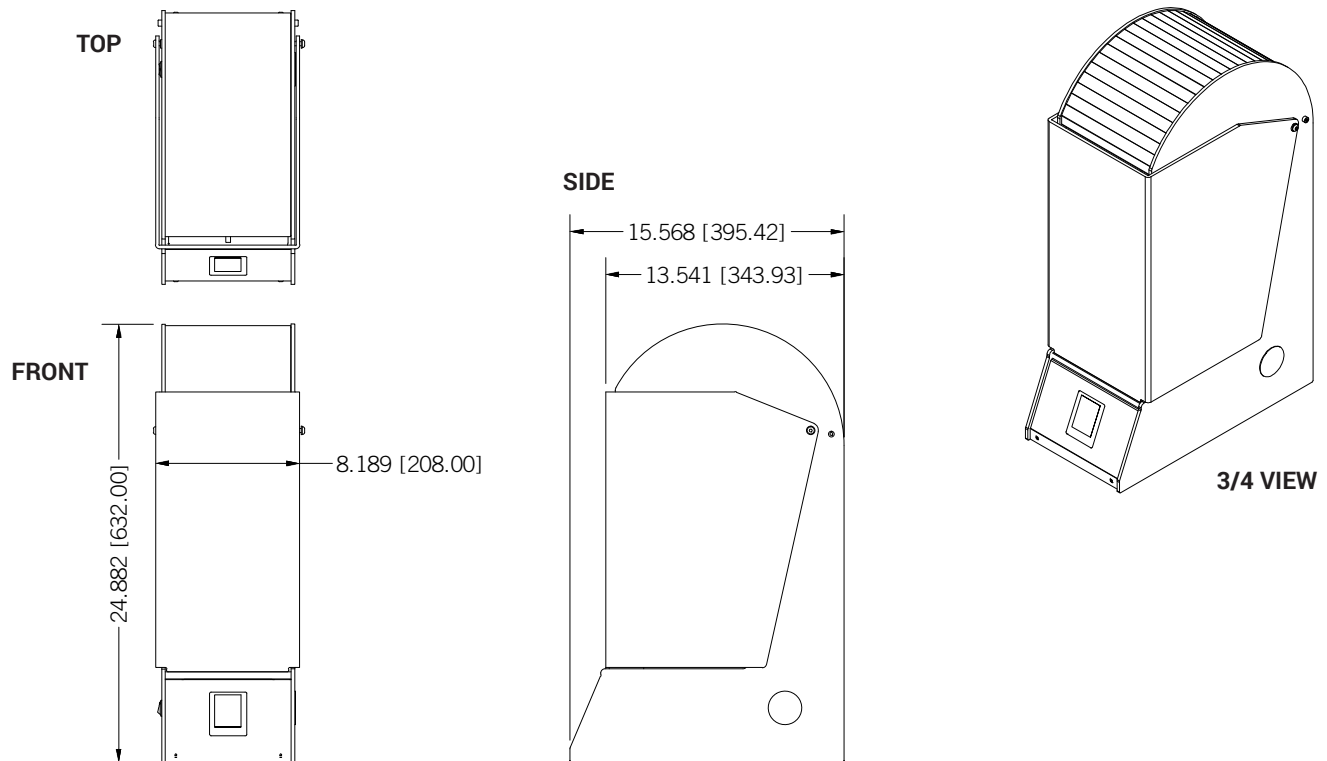
SPECIFICATIONS

Part No.	Exterior Finish	Keg Capacity	Cooling	Shipping Weight
 GF-14515-G2	Growler Filler	4	Use with air cooled or glycol cooled (line inc.)	TBD
				TBD

OPERATING PERFORMANCE

Number of Kegs	1-4
Product Inlet	3/8" Push to Connect
CO2 Inlet	3/8" Push to Connect
Water Inlet	3/8" Push to Connect
Plug Type (NEMA#)	1-15P
Voltage	115
Running	1.6A
CO2 Supply Minimum Pressure	31PSI
Drain Outlet	3/8" Push to Connect

DIMENSIONS



Toll-Free: 1-866-327-4159
www.micromatic.com

West

19791 Bahama St.
 Northridge, CA 91324
 Tel. (818) 701-9765
 Fax. (818) 701-9844

Central

10726 North Second St.
 Machesney Park, IL 61115
 Tel. (815) 968-7557
 Fax. (815) 968-0363

Southeast

15111 Dispense Ln.
 Brooksville, FL 34604
 Tel. (352) 799-6331
 Fax. (352) 796-2429

Northeast

4601 Saucon Creek Rd.
 Center Valley, PA 18034
 Tel. (610) 625-4464
 Fax. (610) 625-4466