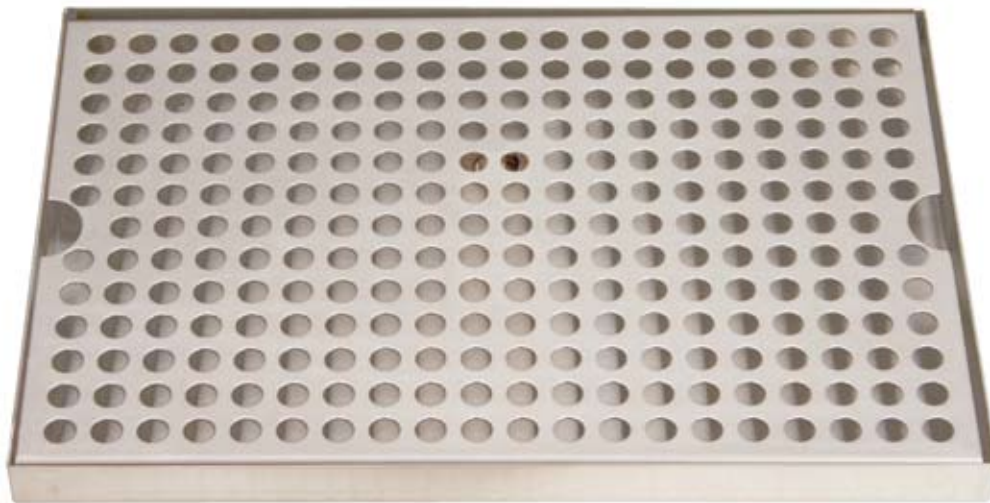


- Easy installation: simply drill one hole to locate and secure.
- Robust 18 gauge stainless steel construction.
- Welded corners, finished smooth for safety and appearance.
- Perforated screen for maximum drip coverage.



Stainless Steel
DP-820D-16

Feature

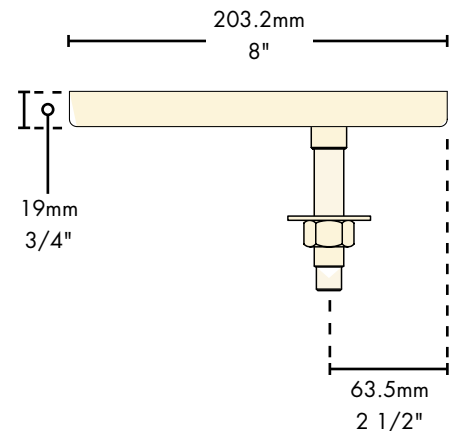
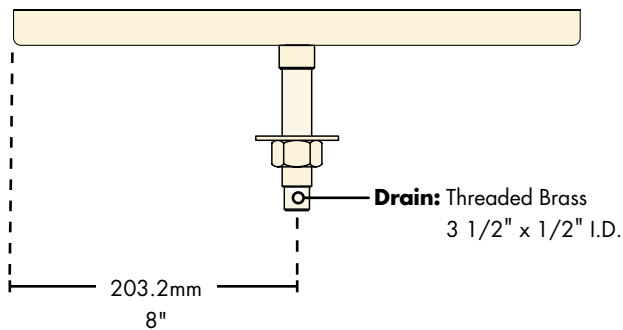
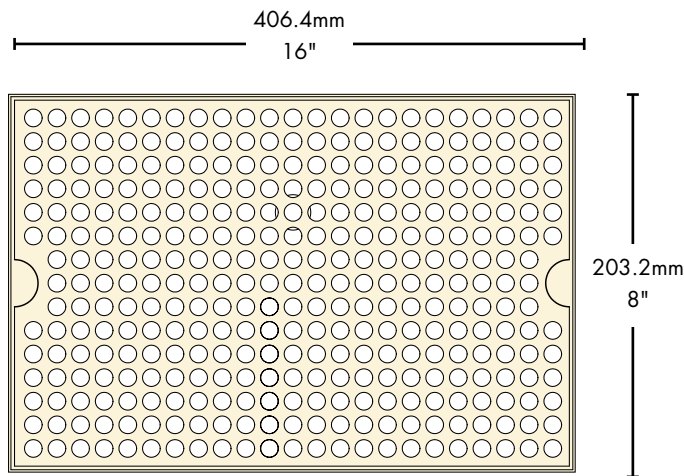
- S** Stainless Steel for hygiene and durability.

Specifications

Micro Matic reserves the right to change specifications without notice.

Part No.	Description	Shipping Weight	Box Dimensions
<input type="checkbox"/> DP-820D-16	Stainless Steel	2 kg	432mm L x 229mm W x 51mm H
		5 lbs	17"L x 9"W x 2"H

Dimensions



Copyright ©2007 Micro Matic USA, Inc. All Rights Reserved. 00194D0507 12.07



MICRO MATIC

www.micromatic.com

Toll Free: 1-(866) 327-4159

West

19791 Bahama Street
Northridge, CA 91324
Tel. (818) 701-9765
Fax. (818) 701-9844

Central

10726 North Second Street
Machesney Park, IL 61115
Tel. (815) 968-7557
Fax. (815) 968-0363

Southeast

16121 Flight Path Drive
Brooksville, FL 34604
Tel. (352) 799-6331
Fax. (352) 796-2429

Northeast

4601 Saucon Creek Road
Center Valley, PA 18034
Tel. (610) 625-4464
Fax. (610) 625-4466