

BUNN®

Infusion Series® ICB Low Profile Coffee Brewer

Achieve a variety of flavor profiles and batch options with programmable Digital Brewer Control

23.1" x 10.1" x 23.8"
(58.7cm x 25.7cm x 60.5cm)

Medium/High Volume
80-189 8oz (236mL) cups/hour*








- Ideal for the quick serve restaurant, full service restaurant, healthcare, college and university, amusement and leisure, lodging/hospitality, convenience store and specialty retail/bar environments
- Brews 80 to 189 8oz (236mL) cups per hour
- Large 3-gal (11.36L) tank provides back-to-back brewing capacity at 120/208-240V applications
- Low profile styling to accommodate a variety of spaces
- Brews into 1gal (3.8L) baseless ThermoFresh® servers for easy transport of coffee to other locations
- Dual voltage adaptable; can operate at 120V/15amp or 120/208-240V/20amp
- Three brew buttons allow for 3 separate brewing profiles; two programmable batch buttons allow full and half batch brewing for maximum flexibility
- Includes graphic overlay kit for customization of brewer interface
- Easy pulse interface allows automatic programming of pulse routine
- BrewWISE® intelligence means the Smart Funnel® manages the grinding and brewing process from start to finish
- Digital temperature control, pre infusion, pulse brew and cold brew lockout
- Digital display in English/Spanish for easier programming and control; advertising messages and machine status also displayed; display capable of showing English or Metric measurements
- Compatible with BUNNlink®
- Hot water faucet kit included to allow for mounting on side of trunk or on upper control panel



 **ThermoFresh® Servers sold separately**

RESPECT EARTH® COMPONENTS

- Energy-saver mode reduces tank temperature during idle periods
- Low Lead Certified
- RoHS compliant: electronics design contains no hazardous substances and part assemblies are recyclable wherever possible

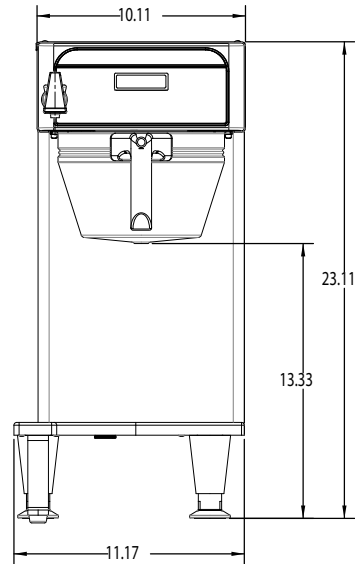
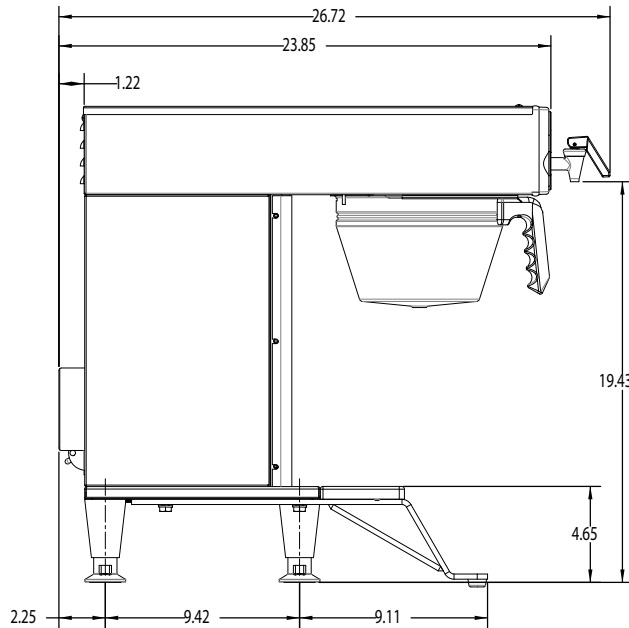
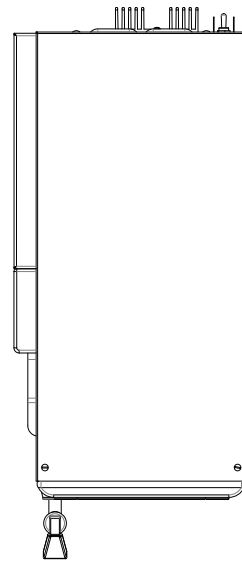
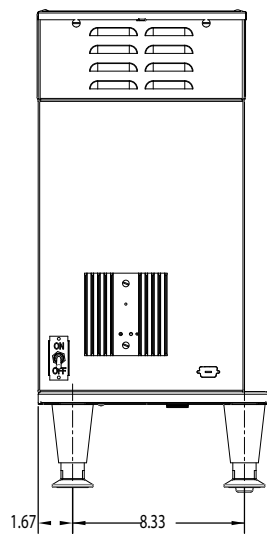
RELATED PRODUCTS

39000.004	Easy Clear® EQHP-10L	    
39000.001	Easy Clear® EQHP-10L	
20138.1000	Paper Filters	
42700.0050	1gal DSG2 TF Server	
39795.0003	TF Server Stand	
49524.0000	Booster Kit (to make compatible with 1.5gal TF servers)	

Description					Capacity*	Electrical Requirements					Shipping		Agency
Model	Product #	Finish	Funnel Type	Spray Head Type	8oz cups/hr 236mL cups/hr	Volts	Amps	Watts	Cord Attached	Plug Type	Ft³ M³	lbs kgs	Listing
ICB-DV LP	36600.0016	stainless	Smart	lime tolerant	80	120	14	1700	yes	NEMA 5-15P	7.3	48.5	 
					136	120/208	13.8	2900	N/A	.21			
					189	120/240	16.8	4050	N/A				

Compatible dispensers - 1 gal baseless ThermoFresh® server

*Capacity: based upon incoming water temp of 60°F/15.5°C (140°F/68°C rise)



CAD Formats Available

2D Revit KCL



Electrical Requirements

Volts	Phase	# Wires plus Ground	Hertz
120	1	2	60
120/208	1	3	60
120/240	1	3	60

An internal terminal block is configured for connection to a 3-wire plus ground

Plumbing Requirements

PSI	Fitting Supplied	Water Flow Required (GPM)
20-90	3/8" male flare	.8

RECOMMENDED WARRANTY PARTS

To see illustrated parts manuals, visit bunn.com/support/manuals

45787.1003	CBA, INFUSION	36367.0000	SWITCH, MEMBRANE-ITCB
34307.1001	TRANSFORMER, 10VA 120 TO 12V	02755.1002	TANK HEATER KIT, 1680W 120V
07412.1002	PROBE REPLACEMENT KIT (ITCB)	29485.1005	TANK HEATER KIT, 2268W 120V
39085.1001	KIT, PROBE ASSY, TEMP&DRY PLUG 10.5	29329.1000	LIMIT THERMOSTAT KIT
26846.0000	VALVE ASSY, SPRAYHEAD-120V	40670.0009	SPRAYHEAD, TERRACOTTA .221 17 HOLE WIDE
27370.0003	VALVE ASSY, BYPASS-PLSTC 120V	40763.0001	SWITCH, TOGGLE DPST
42025.0000	KIT, 120V VALVE AND LIT	12565.0034	TRIAC ASSY, 40 AMP INFUSION

BUNN® reserves the right to change specifications and product design without notice. Such revisions do not entitle the buyer to corresponding changes, improvements, additions or replacements for previously purchased equipment. For most current specifications and other info visit bunn.com. All dimensions shown in inches.