



www.AvantcoRefrigeration.com

PROJECT: _____

MODEL: _____

ITEM #: _____ QUANTITY: _____

APPROVAL: _____ DATE: _____

SC Series Countertop Display

MODEL #360SC40

SC SERIES - GLASS DOOR COUNTERTOP DISPLAY

Great for showing off bottled beverages and prepackaged snacks or sandwiches.

CABINET CONSTRUCTION

Durable black coated steel exterior with resilient ABS plastic interior and full length glass door.

REFRIGERATION SYSTEM

1/10 hp compressor uses R600a refrigerant. Operation requires a 115V electrical connection.

Maintains a temperature range from 33-40°F.

Manual defrost system.

Mechanical temperature controller.

STORAGE

Includes (3) adjustable, epoxy-coated steel shelves.

MODEL FEATURES

Operates in an ambient temperature up to 90°F.

Foamed-in-place polyurethane insulation for temperature retention.

SPECIAL FEATURES

- Compact, countertop design gives customers eye-level site of fresh ingredients
- Bright, energy efficient LED lighting illuminates the contents of the case
- Self-closing door prevents it from being left accidentally ajar
- Lock and key are standard to prevent tampering or theft
- Lighted merchandising sign draws the attention of customers
- 115V, 1/10 hp



WARRANTY

RESIDENTIAL: Avantco assumes no liability for parts or labor coverage for component failure, factory defect or any other damages for units installed in non-commercial foodservice or residential applications.



01/2019



SC Series Countertop Display



www.AvantcoRefrigeration.com

MODEL #360SC40

TECHNICAL DATA

Dimensions

Exterior Dimensions	15¾"W x 16¼"D x 28⅞"H
Interior Dimensions	12¼"W x 10"D x 17¾"H
Net Volume	1.3 cu. ft.
Net Weight	44 lb.
Gross Weight	49 lb.
Packaging Dimensions	18¼"W x 19"D x 31"H

Construction

Exterior Material	Coated Steel
Interior Material	ABS
Door Type	Hinged
Insulation Material	Foamed-In-Place Polyurethane
Shelves	(3) 9½" x 12¾"
Shelf Material	Epoxy-coated steel
Shelf Load Capacity	33 lb.

Cooling

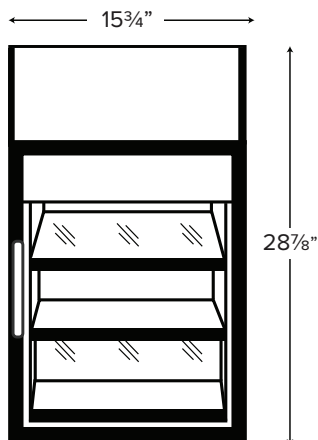
Temperature Range	33°F - 40°F
Refrigerant	R600a
Max. Ambient Temperature	90°F
Defrosting	Manual
Temperature Controller	Mechanical
Horsepower	1/10
BTU (BTU/hr)	232

Electrical

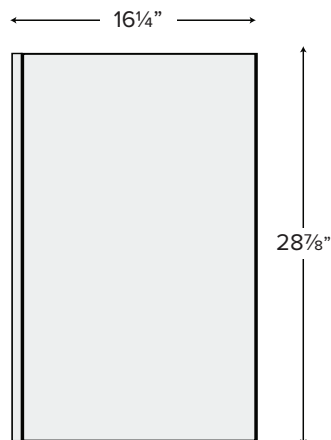
Voltage	115
Amps	1.6
Hz	60
Phase	1
Plug Type	NEMA 5-15P
Electrical Cord Length	70"

PLAN VIEW

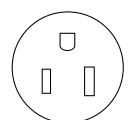
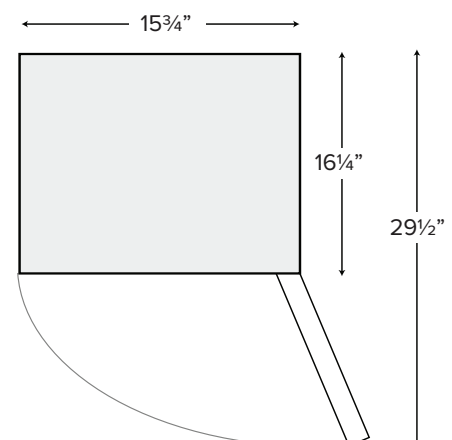
FRONT VIEW



SIDE VIEW



TOP VIEW



NEMA 5-15P