



BCC Series Countertop Bakery Display Case

PROJECT: _____

MODEL: _____ SERIAL#: _____

ITEM #: _____ QUANTITY: _____

APPROVAL: _____ DATE: _____

MODEL #360BCC35HCW

BCC SERIES - WHITE

For showcasing refrigerated baked goods at the countertop level.

CABINET CONSTRUCTION

White painted steel exterior with stainless steel front and 4-sided, double-glass display area to showcase product. 2 removable, sliding doors in rear for service.

SHELVING

2 adjustable, chrome plated wire shelves. Bottom shelf is deeper than top for maximum visibility. Each shelf holds up to 33 lb. of weight.

REFRIGERATION SYSTEM

Environmentally safe R290 refrigerant. Bottom-mounted condensing unit positioned for easy maintenance. Forced air system keeps baked goods fresh and prevents sogginess. Maintains temperature between 36 and 43° F.

MODEL FEATURES

Digital temperature controller features manual defrost function. Small footprint makes it perfect for countertop use. Interior LED lighting illuminates product for a bright, effective display.

SPECIAL FEATURES

- Eco-friendly R290 hydrocarbon refrigerant
- 2 adjustable, chrome plated wire shelves accommodate up to 33 lb. each
- Each shelf adjusts to different product needs
- Deeper bottom shelf than top shelf for maximum visibility
- 4-sided double glass design showcases product
- Interior LED lighting
- Sliding access doors in rear
- White painted steel exterior with stainless steel front
- 110V; 1/4hp



WARRANTY

RESIDENTIAL: Avantco assumes no liability for parts or labor coverage for component failure, factory defect or any other damages for units installed in non-commercial foodservice or residential applications.



Replacement



TECHNICAL DATA

Dimensions

Exterior Dimensions	34½"W x 22½"D x 27"H
Interior Dimensions	33¼"W x 19¼"D x 16"H
Net Volume	3.96 cu. ft.
Net Weight	146 lb.
Gross Weight	153 lb.
Packaging Dimensions	37½"W x 24¾"D x 30"H

Cooling

Temperature Range	36 - 43°F
Refrigerant	R290
Max. Ambient Temperature	90°F
Defrosting	Automatic
Temperature Controller	Digital
Horsepower	1/4
BTU (BTU/hr)	1061

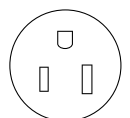
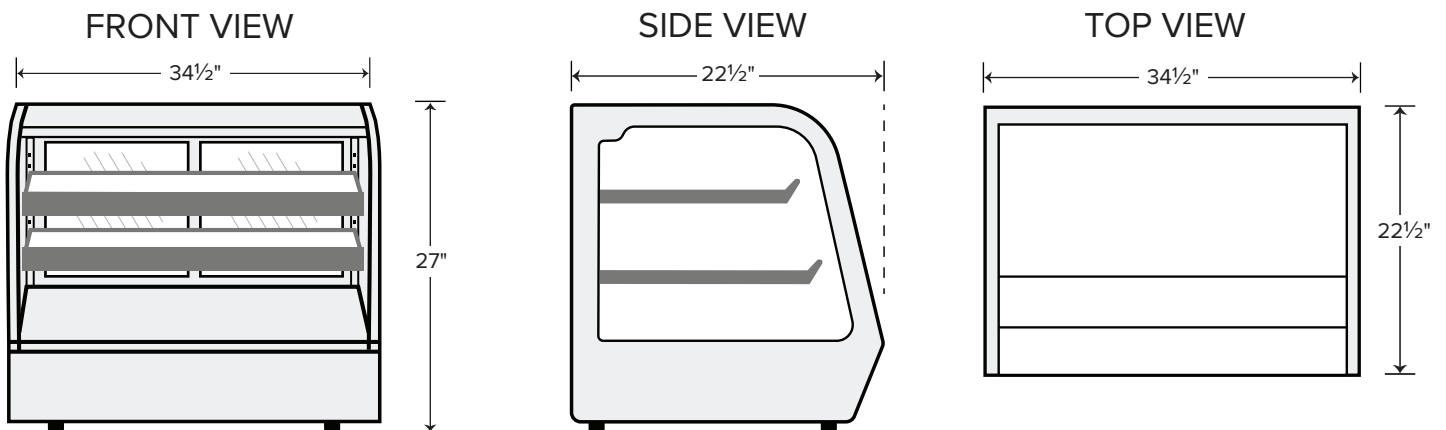
Construction

Exterior Material	Painted Steel and Tempered Glass
Door Type	Sliding Glass
Shelves	(1) of 32"Wx13¼"D and (1) of 32"Wx14½"D
Shelf Material	Chrome Plated Wire
Shelf Load Capacity	33 lb.

Electrical

Voltage	110
Amps	3
Hz	60
Phase	1
Plug Type	NEMA 5-15P
Electrical Cord Length	71"

PLAN VIEW



NEMA 5-15P