

Item#: _____ Quantity: _____

Project: _____ Approval: _____ Date: _____



Radiant Charbroilers

MODELS

351CRCPG15NL, 351CRCPG24NL, 51CRCPG36NL, 351CRCPG48NL, 351CRCPG60NL, 351CRCPG72NL

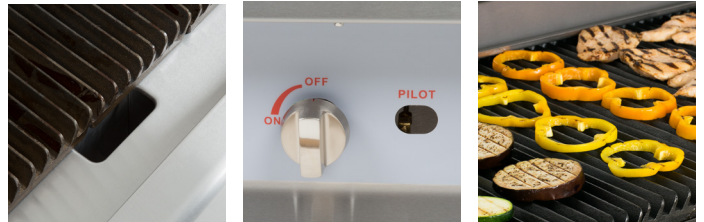
DESCRIPTION

This radiant charbroiler is equipped with 40,000 BTU burners, radiant covers, and reversible cast iron grates, allowing you to produce juicy, hearty meats and vegetables. With grates that can be used in a flat or sloped position and a provided liquid propane field conversion kit, take advantage of this charbroiler's versatility in order to best suit your kitchen's needs. When it comes time for cleanup, no tools are needed to remove the grates, radiant covers, and burners. A full-width waste tray also greatly facilitates the cleaning process.



STANDARD FEATURES

- Stainless steel construction and finish
- Heavy duty cast iron top grates can be used in flat or sloped position
- Grate sections are reversible and remove easily for cleaning
- Angled side helps channel oil toward the removable full width drip tray.
- Independent, manually controlled cooking zones
- 40,000 BTU stainless steel "U" shape burners
- Each burner has a continuous pilot for instant ignition
- Removable cast iron radiants prevent clogging of burners and provide even broiling
- No tools needed to remove grates, radiant covers, and stainless steel burners for cleaning
- Heavy duty adjustable feet
- Shipped with L.P. orifice kit for field conversion
- Ships standard as natural gas



SERIES SPECIFICATIONS

Cooking Surface	Cast Iron Grates
Power	Natural Gas or Liquid Propane
Burner Style	"U" shape
Burner BTU	40,000
Control Type	Manual
Gas Inlet Size	3/4"

LIMITED WARRANTY

Cooking Performance Group warrants this product from manufacturer defect and workmanship for a period of 1 Year from the original date of purchase.

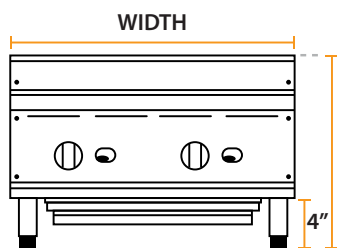
To register your equipment, visit: CookingPerformanceGroup.com



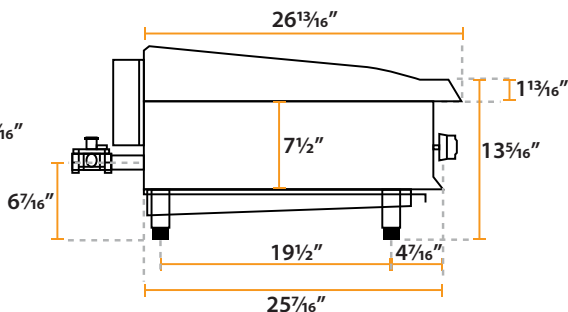


Radiant Charbroilers

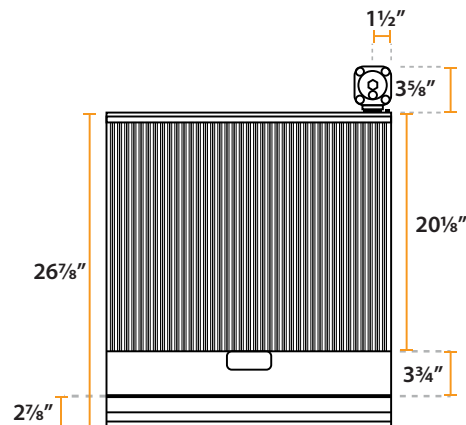
PRODUCT SPECIFICATIONS



FRONT



SIDE



TOP

Model #	Overall Size			Burner BTU	# of Burners	Total BTU / hr	Pressure (WC)	Combustible Clearances		
	Width	Depth	Height					Sides	Rear	Floor
351CRCPG15NL	15"	26 13/16"	16 3/4"	40,000	1	40,000	6" NG/ 10" LP	6"	6"	4"
351CRCPG24NL	24"									
351CRCPG36NL	36"									
351CRCPG48NL	48"									
351CRCPG60NL	60"									
351CRCPG72NL	72"									

Note: Regulator - 3 1/4" depth. Dimensions above do not include regulator.

INSTALLATION

Install the Radiant Charbroiler on and around non-combustible surfaces, allowing 6" of clearance on the sides and 6" of clearance from the back. Install underneath a ventilation hood that corresponds with local and national codes.

- 3/4" rear gas connection configured for areas at an altitude less than 6,500 ft
- Field convertible to liquid propane with orifice included
- Manual gas shut-off valve and gas pressure regulator must be installed for safety and ease of servicing

SHIPPING INFORMATION

Item #	Shipping Carton Size			Weight	Freight Class
	Width	Depth	Height		
351CRCPG15NL	17"	15"	18 1/2"	108 lbs	85
351CRCPG24NL	26"				
351CRCPG36NL	38"				
351CRCPG48NL	50"				
351CRCPG60NL	62"				
351CRCPG72NL	74"	32"	549 lbs		

Note: Unit is shipped in a carton and crate on a pallet

OPTIONS & ACCESSORIES

COMPANION ITEMS

#600GKM3448
Regency 48" Mobile Gas Connector Hose Kit with 2 Elbows, Full Port Valve, Restraining Device, and Quick Disconnect - 3/4"



#600ES Series
Regency Stainless Steel Stands



#178CBE Series
Avantco Chef Bases

