

Item#: _____ Quantity: _____

Project: _____ Approval: _____ Date: _____



Lava Briquette Charbroilers

MODELS

351CLCPG15NL, 351CLCPG24NL, 351CLCPG36NL,
351CLCPG48NL, 351CLCPG60NL, 351CLCPG72NL

DESCRIPTION

This lava briquette charbroiler is equipped with 40,000 BTU burners that warm the lava briquettes, creating an even heat distribution to produce juicy, hearty meats and vegetables. With grates that can be used in a flat or sloped position and a provided liquid propane field conversion kit, take advantage of this charbroiler's versatility in order to best suit your kitchen's needs. When it comes time for cleanup, no tools are needed to remove the grates and burners. A full-width waste tray also greatly facilitates the cleaning process.



STANDARD FEATURES

- Stainless steel construction and finish
- Heavy duty cast iron top grates can be used in flat or sloped position
- Grate sections are reversible and remove easily for cleaning
- Angled side helps channel oil toward the removable full width drip tray.
- Independent, manually controlled cooking zones
- 40,000 BTU stainless steel "U" shape burners
- Each burner has a continuous pilot for instant ignition
- Includes Lava Rocks that distribute heat evenly
- Cast iron lower grates support lava rocks and promote proper air flow
- No tools needed to remove grates, radiant covers, and stainless steel burners for cleaning
- Heavy duty adjustable feet
- Shipped with L.P. orifice kit for field conversion
- Ships standard as natural gas



SERIES SPECIFICATIONS

Cooking Surface	Cast Iron Grates
Power	Natural Gas or Liquid Propane
Burner Style	"U" shape
Burner BTU	40,000
Heat Distribution	Lava Rocks
Control Type	Manual
Gas Inlet Size	3/4"

LIMITED WARRANTY

Cooking Performance Group warrants this product from manufacturer defect and workmanship for a period of 1 Year from the original date of purchase.

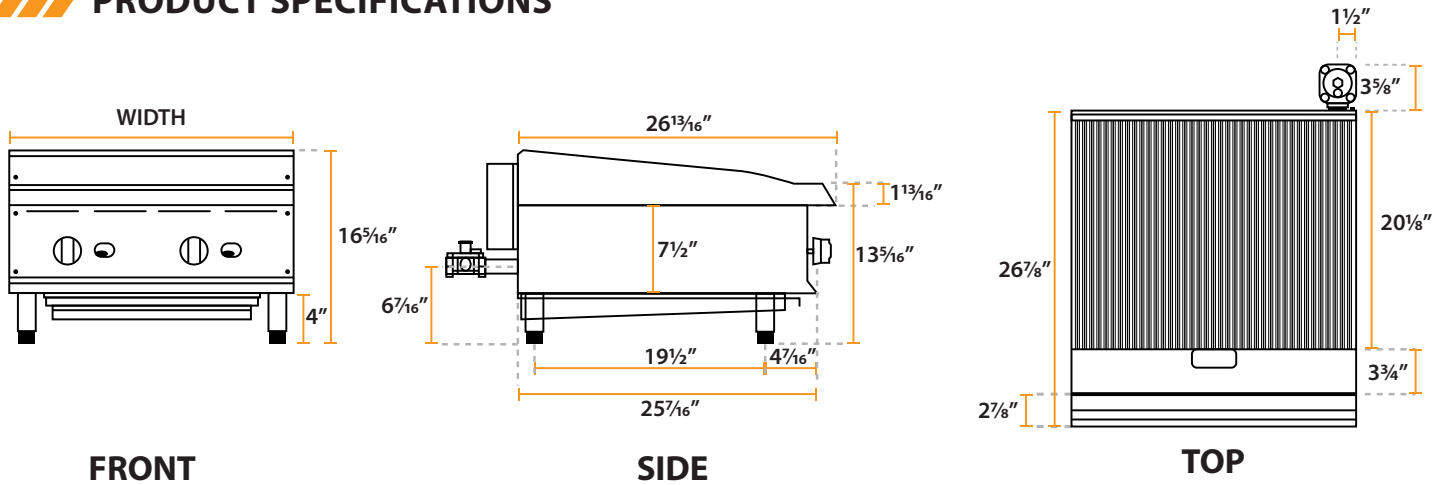
To register your equipment, visit:
CookingPerformanceGroup.com





Lava Briquette Charbroilers

PRODUCT SPECIFICATIONS



Model #	Overall Size			Burner BTU	# of Burners	Total BTU / hr	Pressure (WC)	Combustible Clearances		
	Width	Depth	Height					Sides	Rear	Floor
351CLCPG15NL	15"	26 ¹³ / ₁₆ "	16 ³ / ₄ "	40,000	1	40,000	6" NG/ 10" LP	6"	6"	4"
351CLCPG24NL	24"				2	80,000				
351CLCPG36NL	36"				3	120,000				
351CLCPG48NL	48"				4	160,000				
351CLCPG60NL	60"				5	200,000				
351CLCPG72NL	72"				6	240,000				

Note: Regulator - 3³/₄" depth. Dimensions above do not include regulator.

INSTALLATION

Install the Lava Briquette Charbroiler on and around non-combustible surfaces, allowing 6" of clearance on the sides of the range and 6" of clearance from the back of the range. Install underneath a ventilation hood that corresponds with local and national codes.

- 3/4" rear gas connection configured for areas at an altitude less than 6,500 ft
- Field convertible to liquid propane with orifice included
- Manual gas shut-off valve and gas pressure regulator must be installed for safety and ease of servicing

SHIPPING INFORMATION

Model #	Shipping Carton Size			Weight	Freight Class
	Width	Depth	Height		
351CLCPG15NL	17"	15"	18 ¹ / ₂ "	112 lbs	85
351CLCPG24NL	26"			177 lbs	
351CLCPG36NL	38"			256 lbs	
351CLCPG48NL	50"			334 lbs	
351CLCPG60NL	62"			465 lbs	
351CLCPG72NL	74"	32"	549 lbs		

Note: Unit is shipped in a carton and crate on a pallet

OPTIONS & ACCESSORIES

COMPANION ITEMS

#600ES Series
Regency Stainless Steel Stands



#600GKM3448
Regency 48" Mobile Gas Connector Hose Kit with 2 Elbows, Full Port Valve, Restraining Device, and Quick Disconnect - 3/4"



#178CBE Series
Avantco Chef Bases



#3511545048 Series
Lava Briquette Kits

