



35124CPG6BOBNAT/LP

24" Hot Plate with Cabinet Base

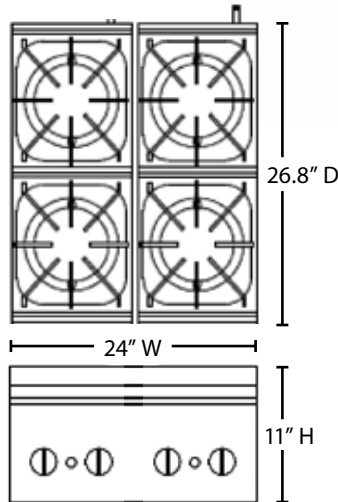
Boasting four powerful 22,000 BTU burners with continuous pilots for instant ignition, this Cooking Performance Group HP424 range with an open cabinet base gives you the high-performance cooking solution you need to quickly and easily prepare sauces, sides, entrees, and more! The stainless steel cabinet base has an open storage area, perfect for holding commonly used range accessories like hot pads, cooking utensils, food pans, and more.

Product Features:

- 16 gauge, type 430 welded stainless steel open cabinet base with (4) 6" legs
- 4 independently-controlled 22,000 BTU burners
- Continuous pilots for instant ignition
- 3/4" rear natural gas connection
- All stainless steel construction
- Includes LP orifice kit for field conversion
- Heavy-duty cast iron grates
- Same 36" working height as most ranges

Product Specifications:

WIDTH	24 in.
DEPTH	26 13/16 in.
HEIGHT (including backsplash)	38 in.
WORKING HEIGHT	36 in.
INTERIOR WIDTH	23 1/2 in.
INTERIOR DEPTH	25 in.
INTERIOR HEIGHT	19 in.
CONSTRUCTION	Stainless Steel
GAUGE	16 Gauge
INSTALLATION TYPE	Freestanding
POWER TYPE	Gas
BURNER BTU	22,000
# OF BURNERS	4
TOTAL BTU	88,000



Weight

WEIGHT	60.41 lbs.
---------------	------------

Certifications:



Conforms to ANSI STD Z83.11b-2009(R2012)
Certified to CSA STD 1.8b-2009(R2012)



Options & Accessories:

- #369CASTER4 - Casters (front two are locking)

