

APPLICATION:

PRODUCT NAME:
WASHER FOR WASTE SOCKET

JOB NAME:

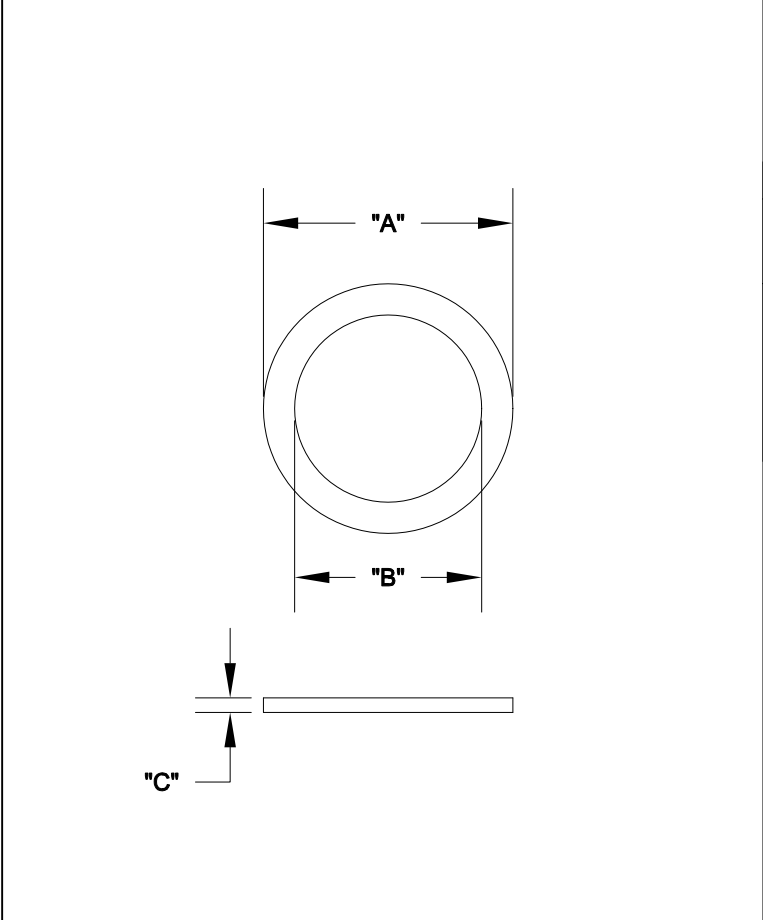
SPECIAL CONFIGURATION
 CHECK BASE MODEL AND OPTIONS

QUANTITY:

ITEM NO.

MODEL:

1400-5000 3/4" NEOPRENE
 6280-5000 1" NEOPRENE
 6580-5000 1-1/2" FIBER
 6780-5000 2" FIBER



OPTIONS OR MODIFICATIONS:
 OTHER _____

FEATURES:
 * WASHER

SHIPPING WEIGHT
 * 0.1 LBS

MODEL	DIM "A"	DIM "B"	DIM "C"
1400-5000	1-1/2" [38.1mm]	1" [25.4mm]	1/16" [1.6mm]
6280-5000	1-3/4" [44.5mm]	1-1/4" [31.8mm]	1/8" [3.2mm]
6580-5000	2-1/2" [63.5mm]	1-7/8" [47.6mm]	1/16" [1.6mm]
6780-5000	3-1/4" [82.6mm]	2-3/8" [60.3mm]	1/32" [0.8mm]