

APPLICATION:

PRODUCT NAME:
WASTE SOCKET

JOB NAME:

SPECIAL CONFIGURATION
 CHECK BASE MODEL AND OPTIONS

QUANTITY:

ITEM NO.

- MODEL:
- 6642-2100 3/4" X 1-3/4" BRASS
 - 10448 3/4" X 1-3/4" ROUGH CHROME
 - 6240-2100 1" X 2" BRASS
 - 6241-2400 1" X 2" ROUGH CHROME
 - 6440-2100 1" X 4" BRASS
 - 6441-2400 1" X 4" ROUGH CHROME
 - 6540-2100 1-1/2" X 1-1/2" BRASS
 - 6541-2400 1-1/2" X 1-1/2" ROUGH CHROME
 - 6740-2100 2" X 2" BRASS

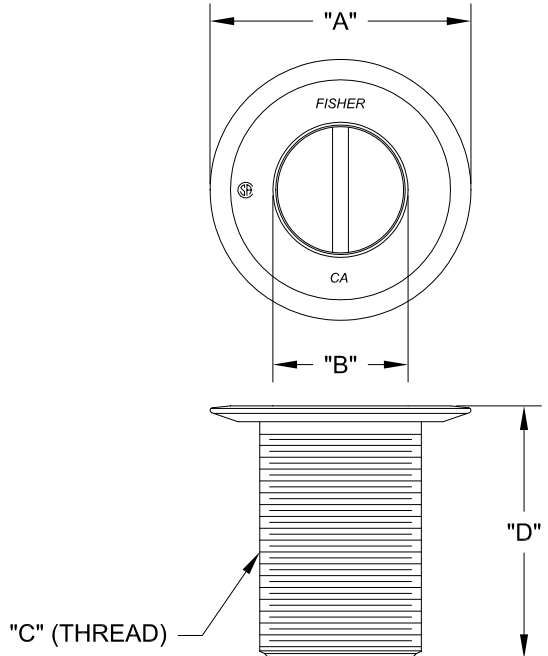
OPTIONS OR MODIFICATIONS:
 OTHER _____

FEATURES

* BRASS WASTE SOCKET

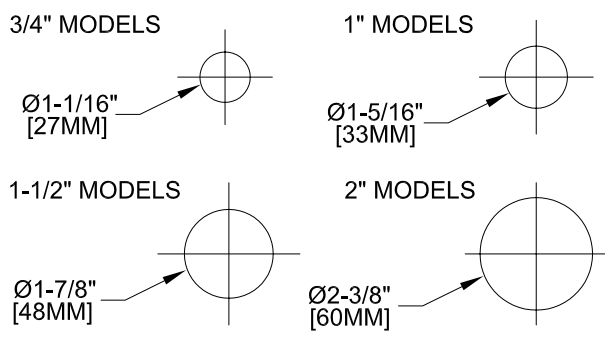
DRAIN RATES
FOR MODELS 6642-2100, 10448:
* 3.0 GPM
FOR MODELS 6240-2100, 6241-2400, 6440-2100, 6441-2400:
* 5.3 GPM
FOR MODELS 6540-2100, 6541-2400:
* 12 GPM
FOR MODEL 6740-2100:
* 21.3 GPM

SHIPPING WEIGHT
FOR MODELS 6642-2100, 10448:
* 0.5 LBS
FOR MODELS 6240-2100, 6241-2400:
* 0.5 LBS
FOR MODELS 6440-2100, 6441-2400:
* 1.0 LBS
FOR MODELS 6540-2100, 6541-2400:
* 1.0 LBS
FOR MODELS 6740-2100:
* 1.0 LBS



MODEL	DIM "A"	DIM "B"	DIM "C"	DIM "D"
6642-2100	Ø1-1/2" [38MM]	Ø3/4" [20MM]	3/4" NPS	1-3/4" [45MM]
10448	Ø1-1/2" [38MM]	Ø3/4" [20MM]	3/4" NPS	1-3/4" [45MM]
6240-2100	Ø2" [50MM]	Ø1" [25MM]	1" NPS	2" [50MM]
6241-2400	Ø2" [50MM]	Ø1" [25MM]	1" NPS	2" [50MM]
6440-2100	Ø2" [50MM]	Ø1" [25MM]	1" NPS	4" [100MM]
6441-2400	Ø2" [50MM]	Ø1" [25MM]	1" NPS	4" [100MM]
6540-2100	Ø2-7/8" [73MM]	Ø1-1/2" [38MM]	1-1/2" NPS	1-1/2" [38MM]
6541-2400	Ø2-7/8" [73MM]	Ø1-1/2" [38MM]	1-1/2" NPS	1-1/2" [38MM]
6740-2100	Ø3-7/8" [98MM]	Ø2" [50MM]	2" NPS	2" [50MM]

ROUGH-IN:



ANSI/A112.18.1M

FISHER
FISHER MANUFACTURING COMPANY
TOLL FREE: 800-421-6162 - FAX: 800-832-8238
information@fisher-mfg.com - www.fisher-mfg.com