

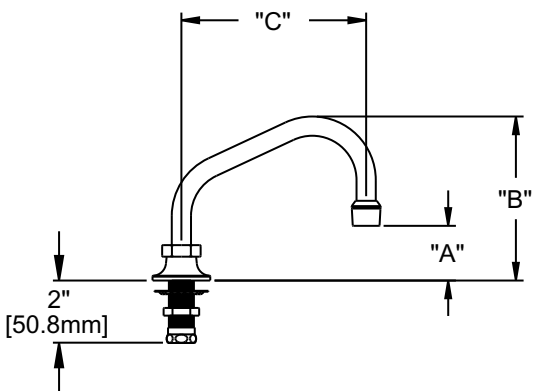
APPLICATION:
 JOB NAME:
 QUANTITY: ITEM NO.:

PRODUCT NAME:
SINGLE DECK BASE

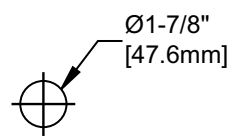
_____ SPECIAL CONFIGURATION
 (CHECK BASE MODEL AND OPTIONS)

MODEL:

- 3810 W/ 6" SWING SPOUT
- 3811 W/ 8" SWING SPOUT
- 3812 W/ 10" SWING SPOUT
- 3813 W/ 12" SWING SPOUT
- 3814 W/ 14" SWING SPOUT
- 1678 W/ 16" SWING SPOUT

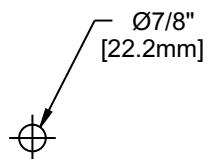


FOOTPRINT:



MODEL	DIM "A"	DIM "B"	DIM "C"
3810	1-3/4" [44.4mm]	5-3/8" [136.5mm]	6" [152.4mm]
3811	2" [50.8mm]	5-7/8" [149.2mm]	8" [203.2mm]
3812	2-5/8" [66.7mm]	6-3/8" [161.9mm]	10" [254.0mm]
3813	3-1/4" [82.6mm]	6-7/8" [174.6mm]	12" [304.8mm]
3814	3-7/8" [98.4mm]	7-3/4" [196.9mm]	14" [355.6mm]
1678	4-5/8" [117.5mm]	8-3/8" [212.7mm]	16" [406.4mm]

ROUGH-IN:



OPTIONS OR MODIFICATIONS:

- SUPPLY LINES (24" OR 36") CIRCLE LENGTH
- DJ SUB-ASSY (7-1/4" OR 13") CIRCLE LENGTH
- VANDAL RESISTANT KIT
- OTHER _____

FEATURES:

- * SINGLE DECK BASE
- * SWING SPOUT
- * 1/2" SLIP JOINT

SYSTEM LIMITS

- * TEMP: 40°F MIN. TO 140°F MAX.
- * PRESSURE 200 PSI MAX. STATIC
- * 2.20 GPM AT 80 PSI

SHIPPING WEIGHT

- * 2.0 LBS