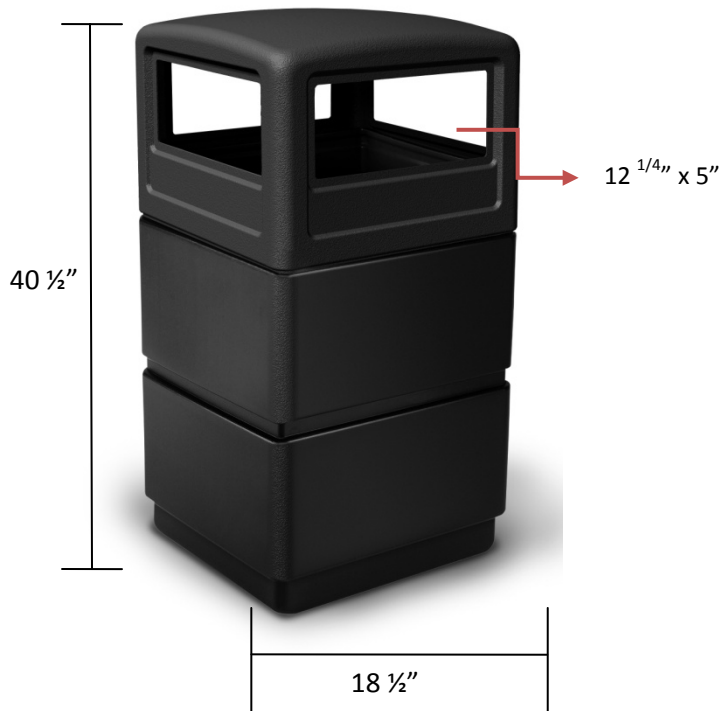


Three-Tier with Dome Lid

Item#:

■ 73250199 – Black

Material Process: Blow-Molded with HDPE



Unit Size	Capacity	Weight
18 1/2" L x 18 1/2" W x 40" H	38-Gallons	20 lbs

Carton Size	# Cartons Shipped	Dimensional Wt.	Carton Wt.
(Ctn1) 18 3/4" L x 18 3/4" W x 33" H	2	(Ctn1) 72 lbs	(Ctn1) 16 lbs
(Ctn2) 18 1/2" L x 19" W x 16" H		(Ctn2) 35 lbs	(Ctn2) 8 lbs




- Ships at Dimensional Weight.


The durable 38-Gallon Three-Tier with Dome Lid is built to be sturdy and withstand the harshest environments. This unit is perfect for high traffic areas.

- Large 38-gallon trash capacity; uses 39-gallon trash bags
- Lift-off lid for easy trash removal includes patented Grab Bag™ system secures trash bag in place
- Molded from long-lasting polyethylene; won't rust, dent or chip
- Plastic is approximately 1/8" thick
- 50% post consumer recycled content
- Made in U.S.A
- 1-year warranty



Patented Grab Bag™

 Made with at least 25% post consumer recycled material

 Product is ADA compliant

 Optional security hardware is available

DCI Marketing, Inc.
 2727 West Good Hope Road
 Milwaukee, WI 53209
 PH: 800-782-7273 ■ FAX: 800-443-7489
 www.commercialzone.com ■ cpservice@dcim.com

**COMMERCIAL
 ZONE** PRODUCTS