

BACK BAR EQUIPMENT

Model: **BB24NGD**

Natural Refrigerant R-290 Model

24" Back Bar Display Cooler with Hinged Glass Door

Textured baked black enamel finish exterior, stainless steel countertop and interior back with reinforced stainless steel floor.



Options and Accessories

(upcharge and lead times may apply)

Add'l epoxy-coated shelves	Food storage rated stainless steel interior (NSF-7)
Stainless steel shelves	

Consult factory for other model configurations, options and accessories.

Project Name:

Model Specified:

Location:

Item No:

Quantity:

AIA #:

SIS #:

Standard Model Features

REFRIGERATION SYSTEM

Performance-rated refrigeration system

Natural, environmentally-safe,
high-efficiency R-290 refrigerant¹

Automatic, hot gas condensate evaporator

Extra large, balanced evaporator coil

CABINET ARCHITECTURE

High density, non-CFC polyurethane
foamed-in-place insulation

Double pane, tempered low-e hinged glass door

Rear and side venting louvered panels

Magnetic snap-in door gasket

Cylinder-keyed security lock

Stainless steel reinforced threshold

5" high casters (can not be changed, footing installed)

MODEL FEATURES

Electronic controller w/digital display & hi-low alarm

LED interior lighting

Easily accessible and serviceable condensing unit

¹ R-290 refrigerant meets all federal and state regulatory requirements.

Continental[®]
Refrigerator

Toll-Free: 800-523-7138
Phone: 215-244-1400
Fax: 215-244-9579

539 Dunksferry Road
Bensalem, PA 19020
www.continentalrefrigerator.com

APPROVAL:

Model Specifications

DIMENSIONAL DATA

Net Capacity (cu. ft.)	8 (226 cu l)
Width, Overall (in.)	24 1/8 (613 mm)
Depth, Overall (in.) (incl. handle & condenser)	30 7/8 (784 mm)
Height, Overall (in.)	38 13/16 (986 mm)
Capacity: # Barrel Kegs	1
Capacity: # Straight Wall Kegs	1
Capacity : # 1/6 Size Kegs	3
No. of Doors	1
No. of Shelves	2

REFRIGERANT DATA

Condensing Unit Size (H.P.)	1/5
Capacity (BTU/Hr)*	1620

ELECTRICAL DATA

Voltage (int'l)	115/60/1 (220/50/1)
Feed Wires (incl. ground)	3
Total Amps (int'l)	2.5 (2.7)
10 ft. Cord/Plug [attached] (int'l)	Yes (No)

SHIPPING DATA

Weight (lbs.)	220 (100 kg)
Height - Crated (in.)	43 1/4 (1099 mm)
Width - Crated (in.)	35 3/4 (908 mm)
Depth - Crated (in.)	37 1/4 (946 mm)

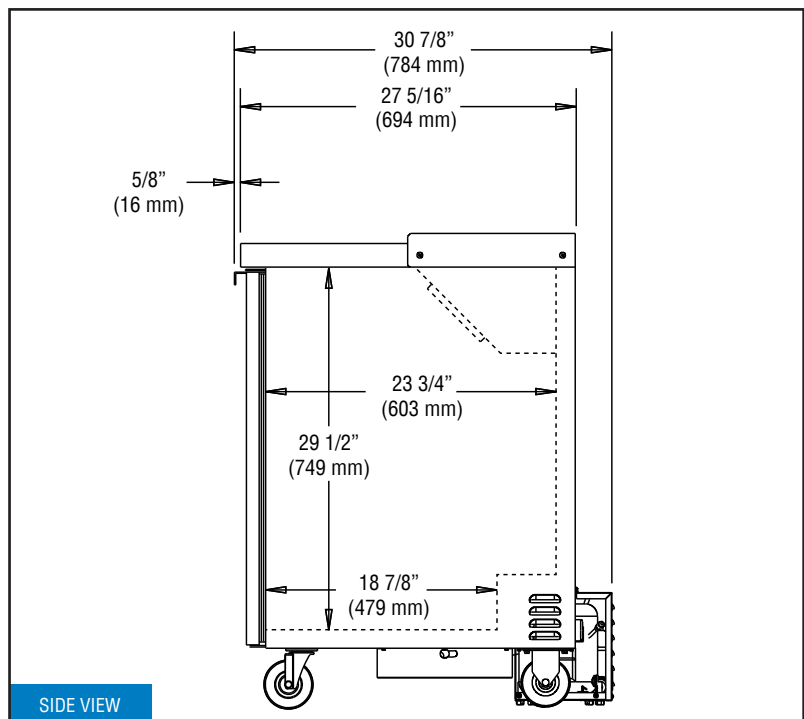
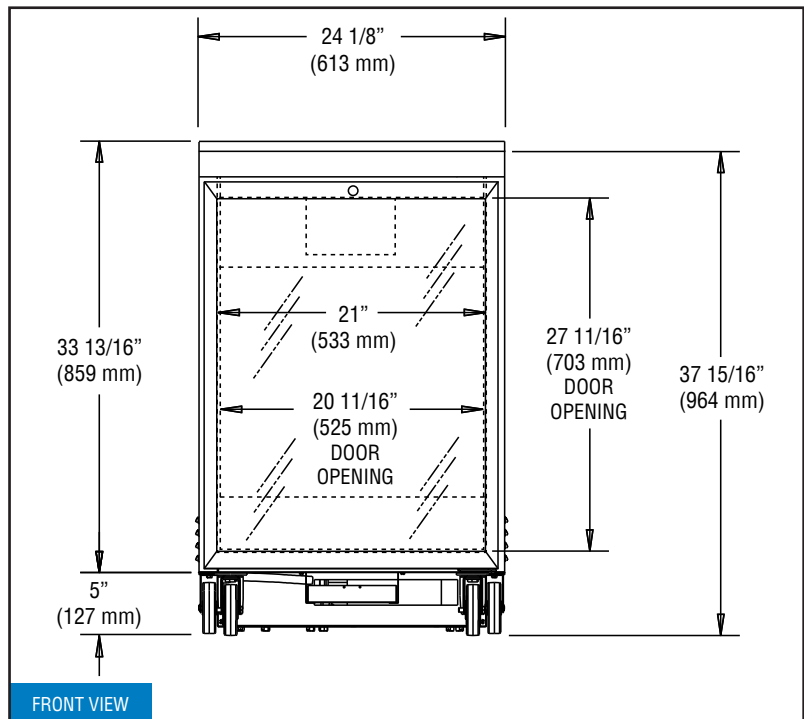
* Rating @ +25°F evaporator, 90°F ambient

Figures in parentheses reflect metric equivalents rounded to the nearest whole unit.



Equipped with one NEMA-5-15P Plug
(varies by country)

Model Plan Views



IMPORTANT NOTE: If the cabinet is located directly against a wall, a minimum clearance of 3" is required on sides, front and rear.

Continental
Refrigerator

Toll-Free: 800-523-7138
Phone: 215-244-1400
Fax: 215-244-9579

539 Dunkserry Road
Bensalem, PA 19020
www.continentalrefrigerator.com

Due to our continued efforts in developing innovative products, specifications subject to change without notice.



Intertek



MADE IN THE U.S.A.

© Copyright 2019, Continental Refrigerator.
A Division of National Refrigeration & Air Conditioning Products, Inc.