

# REACH-IN FREEZER (0°F)

## Model: 1FX-PT-HD

### 1-Section Extra-Wide Pass-Thru Freezer with Half Doors

1FX-PT-HD - Stainless steel front, aluminum end panels and interior  
 1FX-SA-PT-HD - Stainless steel exterior, aluminum interior  
 1FX-SS-PT-HD - Stainless steel exterior and interior  
**Designed to maintain NSF-7 temperatures in 100°F ambient.**



#### Options and Accessories

(upcharge and lead times may apply)

Stainless steel case back	Shallow depth
Additional epoxy-coated steel shelves	Hinged glass doors
Chrome or stainless steel shelves	Increased refrigeration systems
Rehinging of doors (consult factory)	Special electrical req. (consult factory)
Expansion valve system	<b>Correctional Facility Options</b>
Adjustable legs	• One way security screws
Digital thermometer	• Locking hasp (lock not included)
Remote models	• Stainless steel mesh cover
Custom laminates	• Coverless hinges
Full doors	

Consult factory for other model configurations, options and accessories.

**Continental**  
 Refrigerator

Toll-Free: 800-523-7138  
 Phone: 215-244-1400  
 Fax: 215-244-9579

539 Dunksferry Road  
 Bensalem, PA 19020  
[www.continentalrefrigerator.com](http://www.continentalrefrigerator.com)

Project Name:

Model Specified:

Location:

Item No:

Quantity:

AIA #:

SIS #:

#### Standard Model Features

##### REFRIGERATION SYSTEM

Environmentally-safe R-404A refrigerant  
 Self contained, performance-rated refrigeration system  
 Automatic, electric condensate evaporator

##### CABINET ARCHITECTURE

3" non-CFC polyurethane foam insulation  
 Smooth, polished chrome workflow door handles  
 Cam action, lift off hinges  
 Self-closing doors  
 Magnetic snap-in door gaskets  
 Cylinder lock in door  
 Heavy-duty, epoxy-coated steel shelves  
 5" casters

##### MODEL FEATURES

LED interior lighting  
 External dial thermometer  
 Energy saving switch for door heaters  
 Automatic electric defrost

APPROVAL:

## Model Specifications

### DIMENSIONAL DATA

Net Capacity (cu. ft.)	30 (850 cu l)
Width, Overall (in.)	36 1/4 (921 mm)
Depth, Overall (in.) (incl. handles)	38 3/4 (984 mm)
Depth [less doors] (in.)	32 (813 mm)
Depth [doors open 90°] (in.)	100 (2540 mm)
Clear Door Width (in.)	29 5/8 (752 mm)
Clear Half Door Height (in.)	27 1/2 (699 mm)
Height, Overall (in.) (incl. 5" casters)	82 1/4 (2089 mm)
No. of Doors	4
No. of Shelves	3
Shelf Area (sq. ft.)	24.4 (2.3 sq m)

### REFRIGERANT DATA

Condensing Unit Size (H.P.)	1/2
Capacity (BTU/Hr)*	1840

### ELECTRICAL DATA

Voltage (int'l)	115/60/1 (220/50/1)
Feed Wires (incl. ground)	3
Total Amps (int'l)	9.7 (4.5)
Defrost Amps	6.5 (3.3)
10 ft. Cord/Plug [attached] (int'l)	Yes (No)

### SHIPPING DATA

Height - Crated (in.)	85 1/2 (2172 mm)
Width - Crated (in.)	42 (1067 mm)
Depth - Crated (in.)	42 (1067 mm)
Volume - Crated (cu. ft.)	87 (2464 cu l)
Weight Std - Crated (lbs.)	450 (204 kg)
Weight SS - Crated (lbs.)	510 (231 kg)
Weight Std - Uncrated (lbs.)	350 (159 kg)
Weight SS - Uncrated (lbs.)	410 (186 kg)

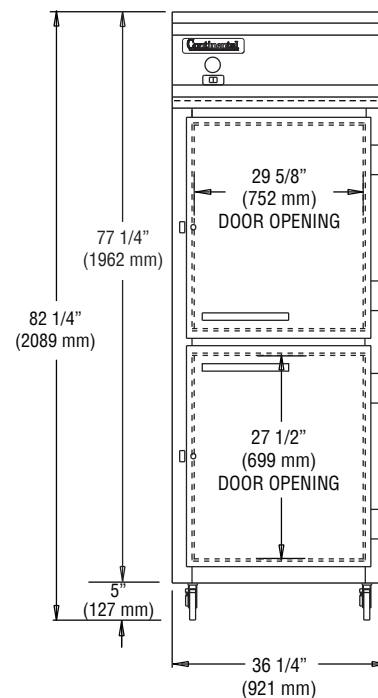
\* Rating @ -15°F evaporator, 90°F ambient

Figures in parentheses reflect metric equivalents rounded to the nearest whole unit.

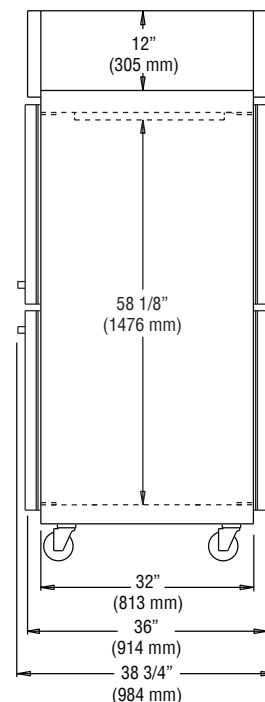


Equipped with one NEMA-5-15P Plug  
(varies by country)

## Model Plan Views



FRONT VIEW



SIDE VIEW

**IMPORTANT NOTE:** If the cabinet is located directly against a wall and/or under a low ceiling, a minimum clearance of 12" is required.

**Continental**  
Refrigerator

Toll-Free: 800-523-7138  
Phone: 215-244-1400  
Fax: 215-244-9579

539 Dunkserry Road  
Bensalem, PA 19020  
[www.continentalrefrigerator.com](http://www.continentalrefrigerator.com)

Due to our continued efforts in developing innovative products, specifications subject to change without notice.



MADE IN THE U.S.A.

© Copyright 2015. Continental Refrigerator.  
A Division of National Refrigeration & Air Conditioning Products, Inc.