

Electric Catering Hot Bag™ for 12 x 20 pans

FEATURES AND BENEFITS:

- 120 volt electrically insulated heated food delivery bag for up to 2 hours of hold time.
- Menu flexibility for outdoor events and catering to safely hold and deliver oven fresh food across every food category.
- This front loading electric hot bag helps maintain proper food temperatures while wicking away moisture and condensation.
- Quick connect universal power cords allow easy connect/disconnect from wall power supply to lighter plug power supply for continued heating while transporting to events.
- Designed to hold (4) 12 x 20 x 2-1/2" hotel catering pans with removable shelving.
- Easy removable pan slides allows bag to fold flat for easy storage.
- Power supply sold separately.

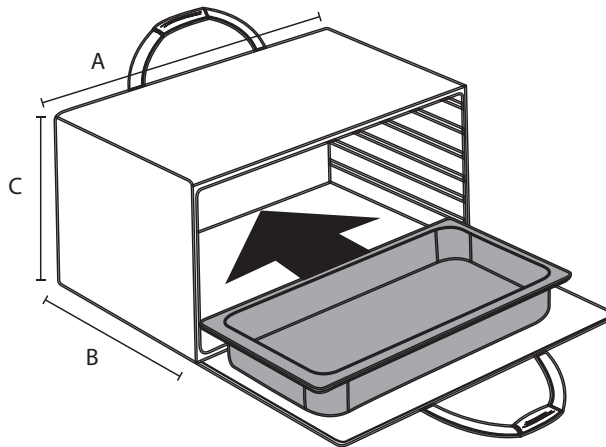


CHB6-1220



ACCESSORIES and OPTIONS (Available at extra cost):

- AC Power Supply
- Lighter Plug Power Supply
- Kold Keeper



CRESCOR MODEL NO.	PAN			DIM "A" WIDTH	DIM "B" DEPTH	DIM "C" HEIGHT		WEIGHT ACTUAL
	CAP	SIZE						
CHB6-1220	4	12 X 20 X 2-1/2	IN	21	15	14	LBS	13
		305 x 510 x 51	MM	533	381	355	KG	6
	3	12 x 20 x 4	IN					
		305 x 510 x 102	MM					
	2	12 x 20 x 6	IN					
		305 x 510 x 152	MM					

NOTE: Capacities shown are based on pans without lids using plastic or foil covering with pans slightly nested.

BAG:

- Outer body: Fabric canvas bag with corrugated plastic supports to maintain structural rigidity.
- Interior: Proprietary insulation to keep food hot or cold. Handle: Nylon with Velcro straps.
- Hot Bags provide 1 to 2 hours holding unplugged, continuous holding if plugged in.

PAN SLIDES (Removable)

- Heavy duty plastic panels hold pans in place.

POWER REQUIREMENTS:

- DC 12V 50-70 Watts/bag
- AC 120V 200 Watts/bag
- We recommend Kold Keeper or ice packets for cold food holding.



Scan QR code to view Spec Sheet, Operating Manual, Wiring Diagram or to call Customer Service.

If you need a QR reader visit your App Store on your Smartphone or Tablet.



5925 Heisley Road • Mentor, OH 44060-1833
 Phone: 877/CRESCOR • Fax: 440/350-7267
 www.crescor.com

© Crescent Metal Products, Inc. 2017 All rights reserved.

SHORT FORM SPECIFICATIONS

Cres Cor Catering Hot Bag™ Model CHB6-1220. Canvas bag hemmed and insulated for use with or without mobile power supply to transport and hold hot or cold foods for up to 2 hours. 1-Year Parts warranty. Provide the following accessories: _____ . CE and TÜVRheinland National Certification.

In line with its policy to continually improve its products, CRES COR reserves the right to change materials and specifications without notice.

Made in America Since 1936