

## IN-SUITE SERVICE CART MODEL 101-172A

### FEATURES AND BENEFITS:

- In-Suite service cart for transport of custom concession bulk foods. Transport foods, pans, utensils and trays while keeping the food hot and ready to serve.
- Body constructed of non-corrosive, Hi-Tensile aluminum for strength and ease of mobility.
- Two push handles for easy maneuverability.
- Top two shelves are removable with perforations to allow air circulation.
- Bottom shelf designed to hold four 7-ounce size cans of fuel. Provides heat to 200°F (93°C).
- Formed aluminum doors with magnetic catches
- 1" top lip for secure transport of other items.
- Heavy duty 6" high modulus casters, two swivel with brakes; two are rigid.
- Great for stadiums, healthcare facilities & colleges.
- Available in many decorative finishes.

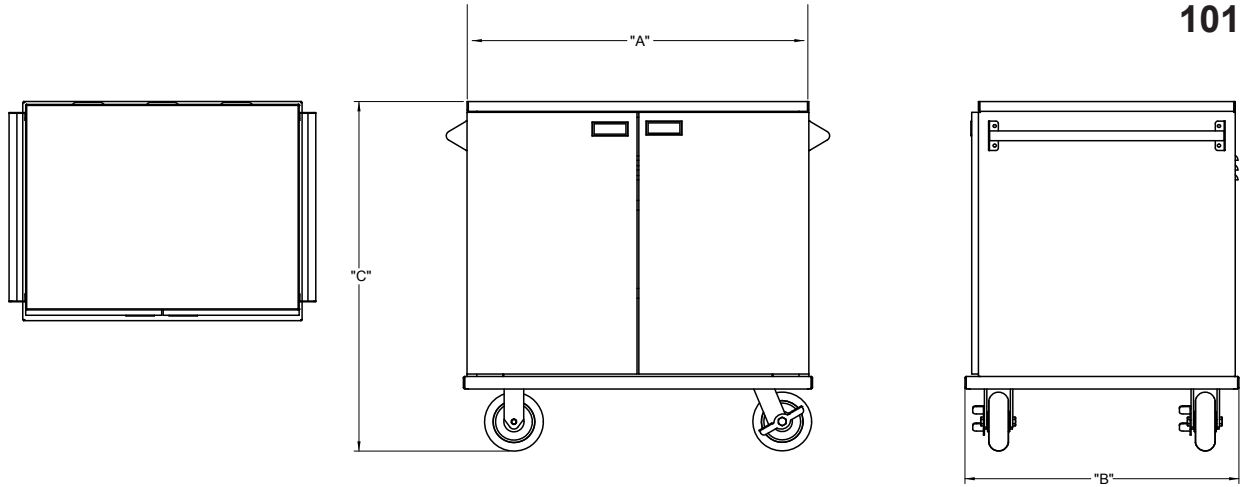


101172A

### ACCESSORIES and OPTIONS (Available at extra cost):

- Decorative Exterior
- Corner Bumpers
- Perimeter Bumper
- Kold Keepers

See page A-20 for accessory details.



CRES COR MODEL NO.	NUMBER OF SHELVES		DIM "A"	DIM "B"	DIM "C"	INSIDE DIMENSIONS				WEIGHT ACT.
			WIDTH	DEPTH	HEIGHT	WIDTH	DEPTH	HEIGHT		
101-172A	3	IN	35-1/2	24	36	32-3/4	22	27-3/4	LBS	145
		MM	905	610	915	835	560	705	KG	66

NOTES: When ordering bumpers, add 2" to overall dimensions.

ALL ALUMINUM CONSTRUCTION IS RIVETED, WELDED AND FINISHED.

**CABINET:**

- Body: Formed .100 aluminum, outer and inner body riveted together.
- Three sets of louvers on back.
- 1/2" high density insulation in top.
- 1" lip provided around four sides at the top edge.
- Push handles (2): One each side; 1" O.D. stainless steel tubing.

**DOOR:**

- Formed aluminum with 1" insulation.
- Latch: Magnetic catch with .125 aluminum pull handles.
- Hinges: stainless steel; fastened to sides and doors.

**REMOVABLE SHELVES (2):**

- Formed .125 aluminum; with (18) holes for air flow. Approximate size of 32" x 22".

**BASE:**

- One-piece construction .125 aluminum.
- Canned fuel holders (4).
- Casters: 6" dia., high modulus tires, 2" wide, load cap. 350 lbs. each, temp. range -40°/+160°F. Two casters are swivel with brakes; two are rigid.

**SHORT FORM SPECIFICATIONS**

Cres Cor In-Suite Service Cart Model 101-172A. Inner, outer and top liners of .125 aluminum. Formed aluminum door. Welded and finished .125 aluminum base. (4) canned fuel holders mounted to base. 6" high modulus casters; two are swivel with brake and two are rigid. Push handle each side. Load capacity 350 lbs. each. 2-Year Parts / 1-Year Labor warranty. Provide the following accessories: \_\_\_\_\_.



5925 Heisley Road • Mentor, OH 44060-1833  
 Phone: 877/CRESCOR • Fax: 440/350-7267  
 www.crescor.com

© Crescent Metal Products, Inc. 2014 All rights reserved.

*In line with its policy to continually improve its products, CRES COR reserves the right to change materials and specifications without notice.*

Litho in U.S.A.