



SERVING THE FOOD INDUSTRY SINCE 1951

JERKY SHOOTER

Item: 10873 / Item: 23836 / Item: 23835



Omcans Plastic and Aluminum Jerky Shooters

Make delicious jerky strips with our aluminum or plastic jerky shooter. The food grade aluminum and plastic tube ensures lasting reliability and is easy to clean. Designed for heavy-duty use. Comes with interchangeable nozzles.



Item 23835



Item 23836



Item 10873

180 DAYS WARRANTY



RR RETAIL READY



Authorized Dealer

FOOD MACHINERY

9.5" PLASTIC JERKY SHOOTER

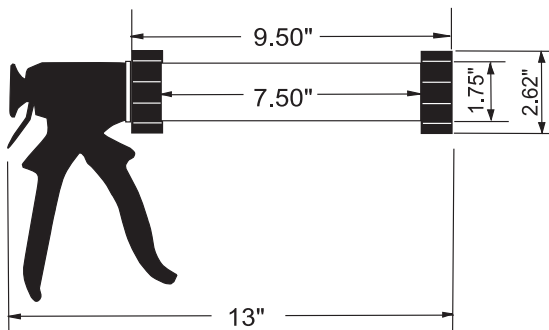


FEATURE

Made delicious jerky strips with our plastic jerky shooter. Comes with a 1/2" round nozzle and a 1-3/16" x 3/16" flat nozzle. Heavy-duty driving system on handle, making the piston move smoothly.



TECHNICAL SPECIFICATION



DETAILS	
ITEM NUMBER	10873
FLAT NOZZLE DIMENSIONS (Base diameter x height x width)	2" x 2.76" x 1.3" / 58 x 70 x 33 mm
ROUND NOZZLE DIMENSIONS (Base diameter x height x top diameter)	2.3" x 2.8" x 0.7" / 58 x 70 x 17 mm
GROSS WEIGHT	2 lbs./ 0.9 kg
GROSS DIMENSIONS	14" x 9" x 3" / 355.6 x 229 x 76 mm



OMCAN INC.

Telephone: 1-800-465-0234
 Fax: (905) 607-0234
 Email: sales@omcan.com
 Website: www.omcan.com



Follow us to keep up to date with the latest news and offers



FOOD MACHINERY

15.5" PLASTIC JERKY SHOOTER

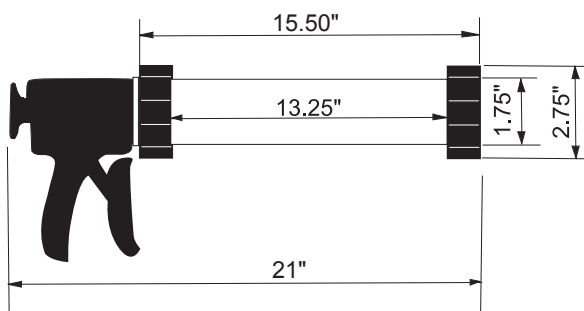


FEATURE

Make delicious jerky strips with our plastic jerky shooter. Comes with a round and flat nozzle. Heavy-duty driving system on handle, making the piston move smoothly.



TECHNICAL SPECIFICATION



DETAILS

ITEM NUMBER	23836
CHAMBER DIMENSIONS	13.25" x 1.75" / 337 x 45 mm
GROSS WEIGHT	2.4 lbs. / 1.1 kg
GROSS DIMENSIONS	22" x 8" x 3" / 559 x 203 x 76 mm



OMCAN INC.

Telephone: 1-800-465-0234

Fax: (905) 607-0234

Email: sales@omcan.com

Website: www.omcan.com



Follow us to keep up to date with the latest news and offers



2015.E.O.E

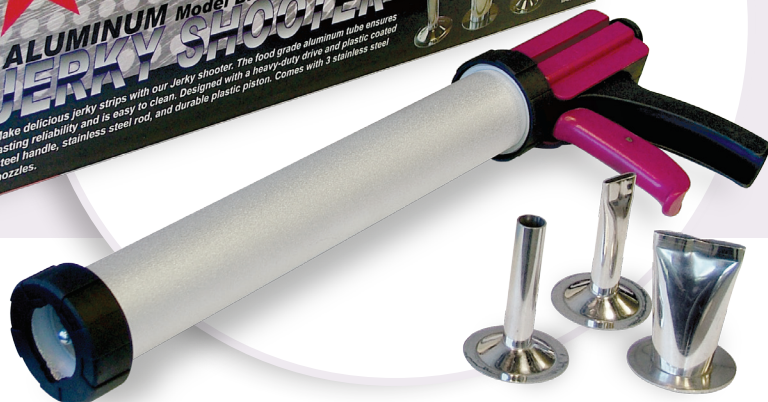
FOOD MACHINERY

15.5" ALUMINUM JERKY SHOOTER

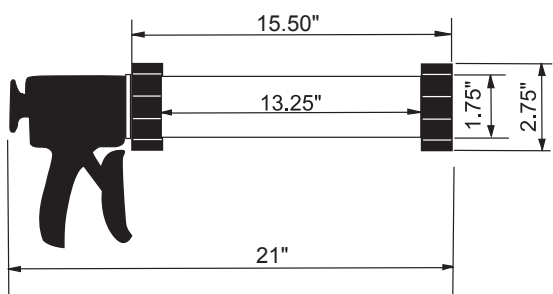


FEATURE

Makes delicious jerky strips with our aluminum jerky shooter. The food grade aluminum tube ensures lasting reliability and is easy to clean. Designed with a heavy-duty drive and plastic coated steel handle, stainless steel rod, and durable plastic piston. Comes with 3 stainless steel nozzles.



TECHNICAL SPECIFICATION



DETAILS	
ITEM NUMBER	23835
CHAMBER DIMENSIONS	13.25" x 1.75" / 337 x 45 mm
GROSS WEIGHT	2.7 lbs./ 1.2 kg
GROSS DIMENSIONS	22" x 8" x 3" / 559 x 203 x 76 mm



OMCAN INC.

Telephone: 1-800-465-0234
 Fax: (905) 607-0234
 Email: sales@omcan.com
 Website: www.omcan.com



Follow us to keep up to date with the latest news and offers

