



BLCT-10E-H

**BLCT-10E-H**  
Single Electric Mini Size  
Boilerless Combination-Oven/Steamer  
with Touchscreen Control and  
Hoodini Ventless Hood



Project \_\_\_\_\_

Item No. \_\_\_\_\_

Quantity \_\_\_\_\_

- Standard 2 piece rack that holds ten 12" x 20" x 2" deep or six 12" x 20" x 2-1/2" deep North American hotel pans

Refer to operator manual specification chart for listed model names.

**CONSTRUCTION**

- 430 stainless steel sides, top and back
- 304 stainless steel bottom, door and interior
- Dual pane tempered viewing window with hinged inner glass for easy cleaning
- 40mm (1.57") fixed drain in the bottom center of cavity
- Drip tray mounted below the door reduces the risk of wet, slippery floors
- Oven door with ventilated heat-reflecting glass
- CTD Cool Touch Door
- Left hinge door is field convertible to the right side
- Two step safety door latch. The first step stops the fan.

**OPERATION**

- Injection steam system - water is injected onto the heating elements, the resulting steam is distributed in the oven chamber by the fan wheel.
- Easy to use touchscreen control
- Multiple cooking modes include hot air, CombiSmart, retherm, steaming, low-temperature steaming, forced steaming, proofing, preheating
- Stores up to 500 recipes with up to 15 steps each
- Manual or automatic cooling
- Automatic humidity pulsing
- Internal core temperature probe
- Rack timing allows for setting individual timers for each rack
- Reversible 9 speed fan for optimum baking and roasting results
- USB port for data and recipe transfer
- HACCP recording and documentation
- Automated CombiWash, closed circuit cleaning system features very low water and detergent consumption and no contact with chemicals. No proprietary chemicals required, see owner's manual for detergent guidelines.
- Ventless hood combines catalytic system with condensing system. Condenser removes steam exhaust, catalyst removes smoke and fumes.
- Integrated hood - no fire suppression required, no filter required
- This unit is not for use with the Blodgett Flavor Smoke smoker

**OPTIONS AND ACCESSORIES**

(AT ADDITIONAL CHARGE)

- Wire oven rack
- Optional stand
- Backflow preventer
- Extra year warranty

**STANDARD FEATURES**

- Internal core temperature probe with multiple measuring points.
- Bright halogen light for superior visibility
- Detachable hand shower
- 5 wire racks
- Start-up inspection service by factory authorized service agent
- One year parts and labor oven warranty\*



EPA 202 testing results - Testing in progress with protein

\* For all international markets, contact your local distributor.

**BLODGETT OVEN COMPANY**

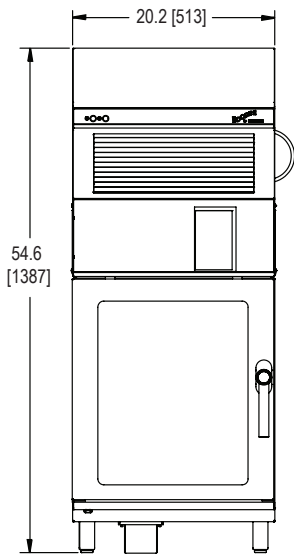
www.blodgett.com • 44 Lakeside Avenue, Burlington, VT 05401 • Phone: (802) 658-6600 • Fax: (802) 864-0183



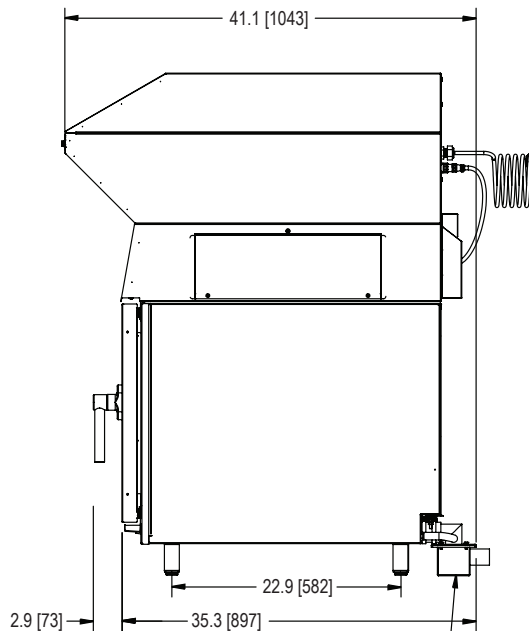
# BLCT-10E-H



DIMENSIONS ARE IN INCHES [MM]

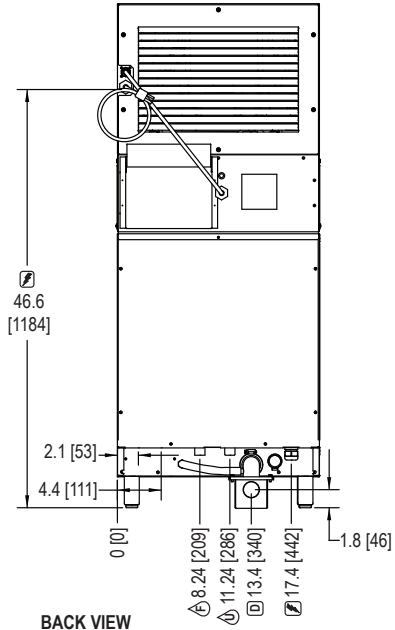


FRONT VIEW



SIDE VIEW

APPROVAL/STAMP



BACK VIEW

**SHORT FORM SPECIFICATIONS:** Provide Blodgett Combi model BLCT-10E-H mini boilerless combination-oven/steamer with Hoodini ventless hood. The BLCT-10E-H has a 2 piece rack system that holds ten 12" x 20" x 2" deep or six 12" x 20" x 2-1/2" deep North American hotel pans. Unit shall have stainless steel exterior and interior. Oven door shall have dual pane tempered viewing window with hinged inner glass for easy cleaning. Unit shall have the ability to cook with pressureless steam, hot air, or combination of steam and hot air. Unit shall have steam injection system. Multiple modes include hot air, CombiSmart, retherming, steaming, low-temperature steaming, forced steaming, proofing, cooling, and preheating. Unit shall have bright halogen light for superior visibility. Touchscreen control stores 500 recipes with 15 stages each, in addition to pre-programmed recipes. Internal core temperature probe, rack timing allows for setting individual timers for each rack, HACCP quality control, USB connectivity, automatic service diagnosis. The reversible 9 speed fan provides optimum baking and roasting results. Automated CombiWash, closed circuit cleaning system features very low water and detergent consumption and no contact with chemicals. Ventless hood combines catalytic system with condensing system. Condenser removes steam exhaust, catalyst removes smoke and fumes. Integrated hood - no fire suppression required, no filter to change One-year parts and labor warranty. Provide start-up inspection service by a factory authorized service agent. Provide options and accessories as indicated.

## DIMENSIONS:

**Floor space:** 41.1" x 20.2" (1043 x 513mm)  
**Unit height:** 54.6 (1387mm)

## OVEN CLEARANCES:

*From combustible and non-combustible construction*

Sides 2.75" (69.9mm)  
 Back 2.75" (69.9mm)  
 Top 0" (0mm)  
 12" (305mm) recommended for service

## MINIMUM ENTRY CLEARANCE:

Uncrated 20.2" (513mm)  
 Crated 54" (1372mm)

## POWER SUPPLY:

120VAC, 60 Hz, 1 phase, 15 amp maximum dedicated circuit for the hood and one of the following for the oven

Voltage	Phase	KW	Hz	Amps
208/230/240	3AC	10.4/12.7/13.8	60	34
208/230/240	3NAC	10.4/12.7/13.8	60	34
400/415	3NAC	12.7/13.8	60	20
400/415	3AC	12.7/13.8	60	20
440/480	3AC	10.4/12.4	60	18

## WATER SUPPLY & DRAIN:

Good quality water feed is the responsibility of the owner. Water quality must be within the following general guidelines.

TDS: 40-125 ppm      Hardness: 35-100 ppm      pH: 7.0 - 8.5  
 Silica: <13 ppm      Chlorides: <25 ppm      Chlorine: <0.2 ppm  
 Chloramine: <0.2 ppm

The best defense against poor water quality is a water treatment system designed to meet your water quality conditions. Blodgett offers optional systems from Optipure.

Pressure: 40(min)-50(max) PSI  
 Connections: 40mm (1.57") max. drain temperature 140°F (60°C)  
 3/4" garden hose cold water

Appliance is to be installed with backflow protection in accordance with federal, state or local codes.

## SHIPPING INFORMATION:

**Approx. weight:** 425 lbs. (193 kg)  
**Crate size:** 63" H x 54" W x 40.5" D (1600 x 1372 x 1029mm)

**NOTE:** The company reserves the right to make substitutions of components without prior notice

## BLODGETT OVEN COMPANY

www.blodgett.com • 44 Lakeside Avenue, Burlington, VT 05401 • Phone: (802) 658-6600 • Fax: (802) 864-0183