

# BC Series Curved Glass Bakery Case

REFRIGERATION  
**AVANTCO**

[www.AvantcoRefrigeration.com](http://www.AvantcoRefrigeration.com)

**MODELS** #193BC60HCB

## BC SERIES - BLACK

For showcasing refrigerated baked goods at maximum visibility.

### CABINET CONSTRUCTION

Black painted steel exterior with 4-sided, double-glass display area to showcase product.

2 removable, sliding doors in rear for service.

### REFRIGERATION SYSTEM

Environmentally safe R290 refrigerant. Bottom-mounted condensing unit positioned for easy maintenance. Forced-air system to keep food fresh and prevent it from drying out.

### SHELVING

2 adjustable, tempered glass shelves with LED lighting.

### MODEL FEATURES

Digital temperature controller features manual defrost function.

Maintains temperature between 36 and 43° F.

Casters for easy cleaning.

## SPECIAL FEATURES

- Eco-friendly R290 hydrocarbon refrigerant
- 2 adjustable, tempered glass shelves accommodate up to 44 lb. each
- 4-sided double glass design showcases product
- Sliding access doors in rear
- Easy-to-use, digital temperature controls
- Holds temperature between 36 and 43°F
- Foamed-in-place polyurethane insulation
- Black painted steel exterior
- Manual defrost for maintenance
- 115V, 1/4 hp



## WARRANTY

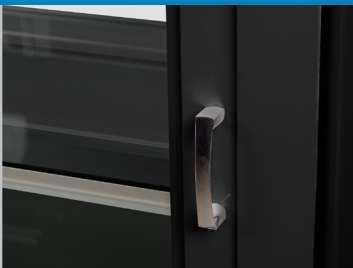
RESIDENTIAL: Avantco assumes no liability for parts or labor coverage for component failure, factory defect or any other damages for units installed in non-commercial foodservice or residential applications.



Parts & Labor



Compressor



# BC Series

## Curved Glass Bakery Case



MODELS #193BC60HCB

[www.AvantcoRefrigeration.com](http://www.AvantcoRefrigeration.com)

### TECHNICAL DATA

#### Dimensions

Exterior Dimensions	59"W x 26½"D x 50¼"H
Interior Dimensions	57¼"W x 23"D x 25⅜"H
Net Volume	16.6 cu. ft.
Net Weight	401 lb.
Gross Weight	474 lb.
Packaging Dimensions	64½"W x 31"D x 51"H

#### Cooling

Temperature Range	36 - 43°F
Refrigerant	R290
Max. Ambient Temperature	90°F
Max Humidity	60%
Defrosting	Automatic
Temperature Controller	Digital
Horsepower	1/4

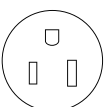
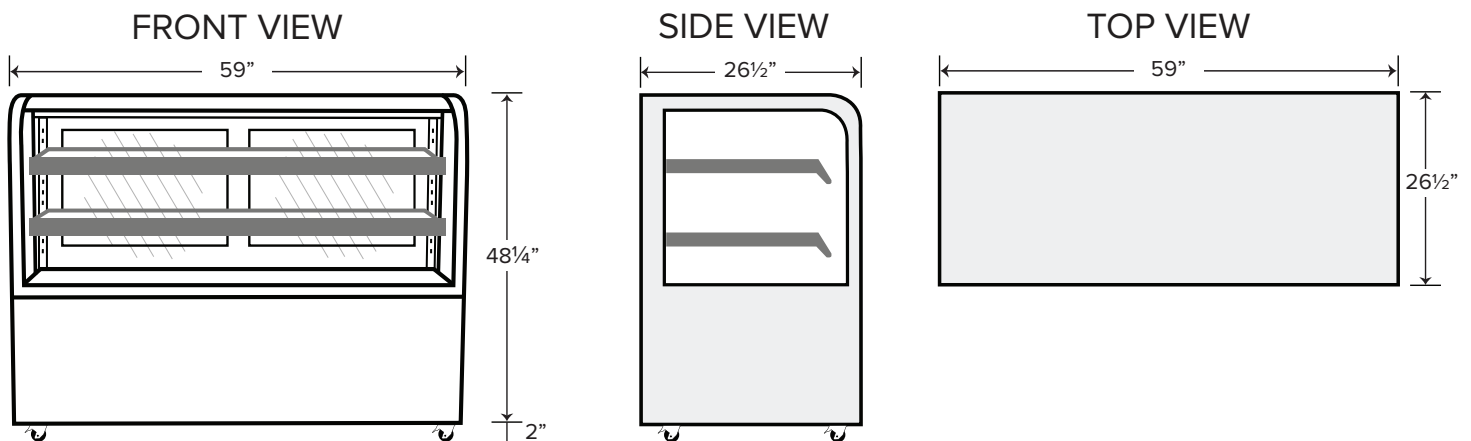
#### Construction

Exterior Material	Painted Steel and Tempered Glass
Shelf Sizes	Top: 55⅞" x 12¼" Bottom: 55⅞" x 14⅝"
Shelf Material	Tempered Glass
Shelf Load Capacity	55 lb.

#### Electrical

Voltage	115
Amps	4
Hz	60
Phase	1
Plug Type	NEMA 5-15P
Electrical Cord Length	71"

### PLAN VIEW



NEMA 5-15P