



16 GAUGE STAINLESS STEEL

SIX STATION A.D.A. WALL MOUNTED SQUARE CORNER SERVICE SINK WITH TUBULAR SUPPORTS

ELECTRONIC OPERATED



A.D.A. COMPLIANT

Item #: _____ Qty #: _____
 Model #: _____
 Project #: _____



Hands-Free Electronic Faucet

FEATURES:

- 8 1/2" high backsplash.
- 6" sink bowl depth.
- Three stainless steel "Z" brackets.
- Two **K-6** 3 1/2" rear basket drains.
- Four tubular stainless steel support brackets that allow full clearance underneath.

Electronic Operated: Includes five **K-175** Electronic Faucets. Single holes provided.

CONSTRUCTION:

- All TIG welded.
- Welded areas blended to match adjacent surfaces and to a satin finish.
- Die formed tubular wall brackets.

MATERIAL:

- All 16 gauge type "304" stainless steel.
- 1 5/8" tubular "304" stainless steel wall brackets.
- Stainless steel gussets.

MECHANICAL:

Single faucet holes.

Model #	Length	# of Faucets	# of Wall Supports	Wt.	Cu. Ft.
19-18-120EFADA	120"	6	4	142 lbs.	42

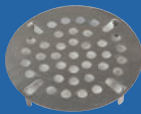
[Click Here For Install Guide](#)



MULTI-STATION ACCESSORIES & REPLACEMENT PARTS



K-175



K-411



K-13

Model	Description	QTY:
K-6	3 1/2" Drain (1 1/2" I.P.S.)	_____
K-13	Stainless Steel Soap Dispenser (Wall Mount Only)	_____
K-175	Single Hole, Splash Mounted 3-1/2" Electronic Faucet	_____
K-411	Strainer Plate for 3-1/2" Drain	_____
K-508	Special Sizing Charge (Larger Size Cut Down To Smaller Size)	_____
TA-19	Adjustable Stainless Steel Flanged Bullet Foot	_____

= Ships UPS

FLOOR STANDING LEGS MODIFICATION

Converts Wall Mounted 19-22 SERIES Sink To A Free Standing Floor Unit.

- Stainless Steel Legs with Flanged Feet
- Sides and Rear Cross Bracing

Model #	Fits Sink Length	QTY:
FS-CB-120	120"	_____



Standard Faucets conform to NSF 61 Standard 9 and compliance to AB 1953 Standards.

WARNING: Equipment that include faucets on this page may contain a chemical known to the State of California to cause cancer, birth defects or other reproductive harm.



Customer Service Available To Assist You **1-800-645-3166** 8:30 am - 8:00 pm E.S.T.

For Orders & Customer Service:

Email: customer@advancetabco.com or Fax: 631-242-6900

For Smart Fabrication™ Quotes:

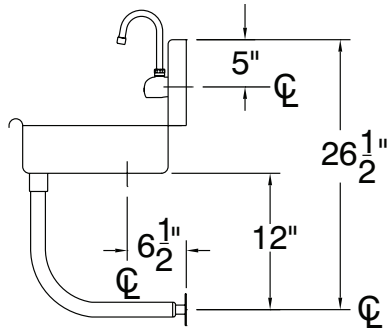
Email: smartfab@advancetabco.com or Fax: 631-586-2933

DETAILS and SPECIFICATIONS

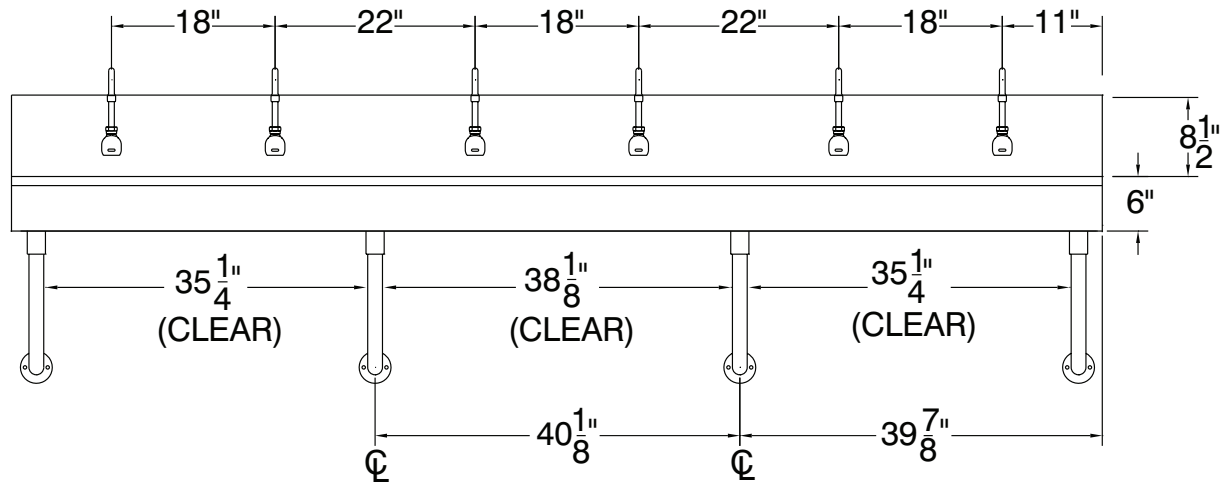
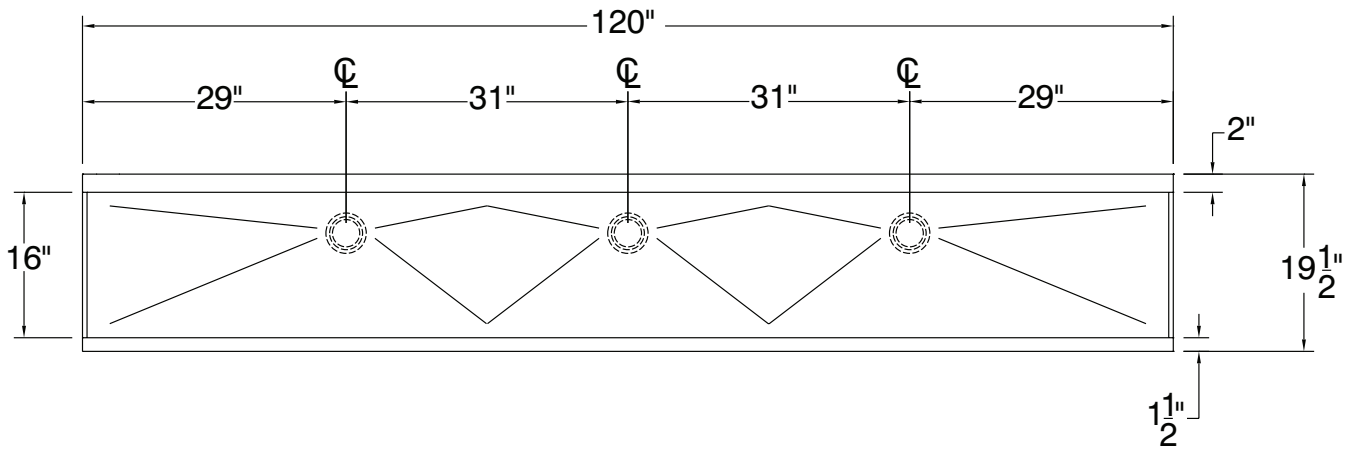
TOL ± .500"

ALL DIMENSIONS ARE TYPICAL

19-18-120EFADA



A.D.A.
COMPLIANT



142 lbs.

