



BEVERAGE-AIR

Project: _____

AIA#

Item: _____

Location: _____

SIS#

Approved: _____

FOOD PREPERATION TABLES

SPE48HC Elite Series Sandwich Prep
Hydrocarbon Series

MODELS:
SPE48HC-12M



SPE48HC-12M

3 Year Parts/Labor Warranty
Additional 2 Year Compressor Warranty

CABINET CONSTRUCTION

- Stainless steel front, sides, top, door(s), and grille (*galvanized back & bottom*)
- Interior liner is made of corrosion resistant aluminum
- Removable hoods and insulated lid assemblies are made of matching stainless steel
- Self-closing doors with 120° Stay-open feature, on cartridge style hinges
- Easy door removal for service and cleaning
- Field-reversible doors with snap-in door gaskets
- Painted aluminum door handle(s)
- 6" Casters, 2 with brakes standard
- 10" Wide cutting board constructed of white polyethylene plastic
- Cutting board removable for cleaning
- Two epoxy-coated steel wire shelves per section standard
- Pans furnished are 4" deep constructed of polycarbonate plastic

OPTIONS & ACCESSORIES

- Stainless steel interior option
- Stainless steel back
- Remote options
- Overshelves (single or double)
- Drawers or combination models
- Crumb catcher
- Modified pan openings
- Solid door with lock(s)
- 6" Legs
- 3" Casters
- Low profile casters
- Richlite cutting board
- Night cover

REFRIGERATION SYSTEM

- Refrigeration system uses R290 refrigerant to comply with all environmental concerns
- Recirculated, forced air from evaporator is moved under pans, which are recessed 2" from top of cabinet
- Automatic, non-electric evaporator
- System is serviceable from rear
- Epoxy coated evaporator coil

SPE48HC Elite Series Sandwich Prep: Mega Top Series



3779 Champion Blvd., Winston-Salem, NC 27105
1-888-845-9800 Fax: 1-336-245-6453
Beverage-Air.com sales@bevair.com



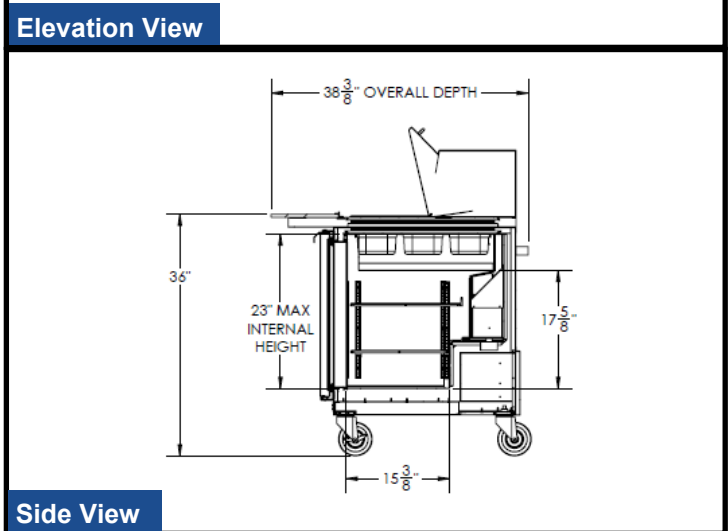
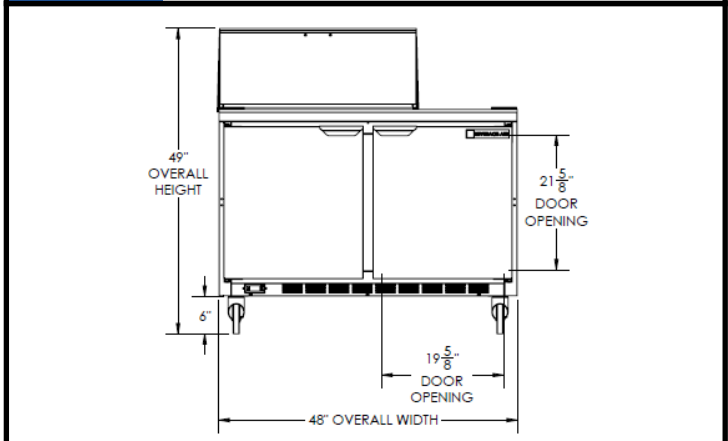
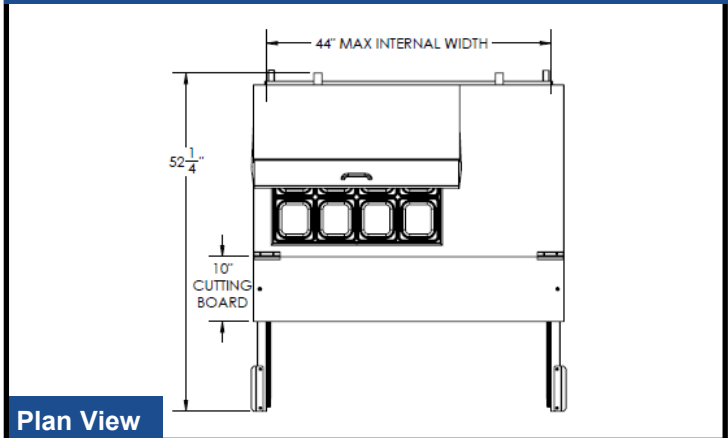
BEVERAGE-AIR

Food Preparation Table — Mega Top

Models: SPE48HC-12M

| MODEL | SPE48HC-12M |
|-------------------------------------------|------------------------------------|
| EXTERNAL DIMENSIONAL DATA | |
| Width Overall | 48" |
| Depth Overall with Cutting Board & Bumper | 38 3/8" |
| Height Overall with 6" Casters | 49" |
| Number of Doors | 2 |
| Depth with Door Open 90 ° | 52 1/4" |
| Solid Door Opening (in) | 19 5/8" x 21 5/8" |
| Depth, Cutting Board | 10" |
| Shelf Area (sq. in) | Upper 439 21/64" Lower 386 1/8" |
| INTERNAL DIMENSIONAL DATA | |
| NET Capacity (cubic ft.) | 9.8 |
| Internal Width Overall (in) | 44" |
| Internal Depth Overall (in) | 23 1/2" |
| Internal Depth Useable (in) | Upper 18 1/2" Lower 15 3/8" |
| Internal Height Overall (in) | 23" |
| Internal Height Useable (in) | 17 5/8" |
| Number of Pans | (12) 1/6 size |
| ELECTRICAL DATA | |
| Full Load Amperes 115/60/1 | 2.0 |
| REFRIGERATION DATA | |
| Horsepower | 1/6 |
| Capacity (BTU/Hr)* | 1140 |
| WEIGHT DATA | |
| Gross Weight (Crated lbs) | 336 lbs |
| Height - Crated | 48" |
| Width - Crated | 51" |
| Depth - Crated | 38" |

Model Views



ELECTRICAL CONNECTION



115/60/1
NEMA-5-15P

Units pre-wired at factory and include 8' long cord and plug set.



an Ali Group Company



The Spirit of Excellence

3779 Champion Blvd., Winston-Salem, NC 27105
1-888-845-9800 Fax: 1-336-245-6453