

# AvaToast T3600B Commercial 14 1/2" Wide Conveyor Toaster with 3" Opening - 208V, 3600W, 1200 Slices per Hour

Item #184T3600B



## Technical Data

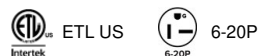
Width	18 1/2 Inches
Depth	18 Inches
Height	16 1/2 Inches
Conveyor Width	14 1/2 Inches
Feeder Opening Height	3 Inches
Amps	17.31 Amps
Hertz	60 Hertz
Phase	1 Phase
Voltage	208 Volts
Wattage	3600 Watts
Control Type	Infinite
Features	Pass-Through
Heating Source	Radiant
Installation Type	Countertop
Plug Type	NEMA 6-20P
Power Type	Electric
Slices Per Hour	1200 Slices
Style	Horizontal
Temperature Settings	Adjustable
Type	Conveyor Toasters
Usage	High Volume



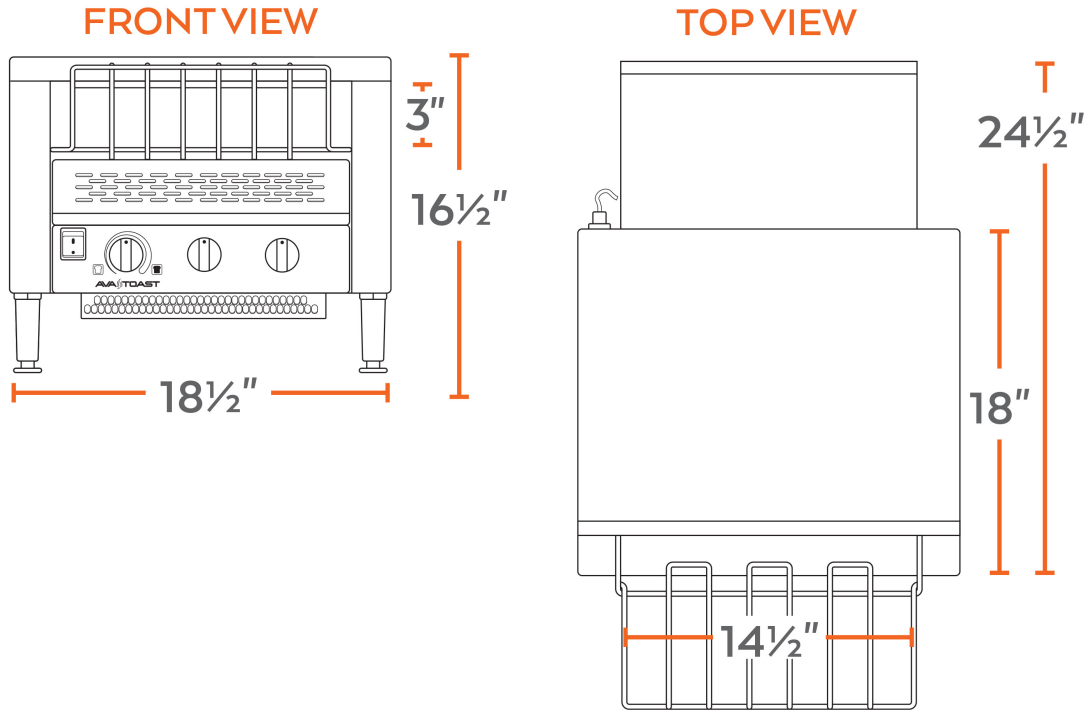
## Features

- Toasts up to 1200 slices of bread or bagels per hour; fits three slices side-by-side on 14 1/2" belt
- 3" opening for a variety of breads, bagels, and muffins; front product guide helps load food safely
- Fully adjustable conveyor speed and 8-setting independent heat control to achieve the perfect toast
- Heavy duty stainless steel exterior with stainless steel legs and control knobs
- 208V, 3600W

## Certifications



## Plan View



## Notes & Details

Designed to toast up to 1200 slices of bread per hour, the AvaToast T3600B conveyor toaster is perfect for businesses with diverse toasting needs. Not only does its 14 1/2" wide conveyor belt fit 3 slices side-by-side, but its 3" opening accommodates a variety of products. Easily toast bread, bagels, english muffins, or buns per customer request. A front guide even helps the product load safely, ensuring that each slice is pulled directly into the unit for efficient and consistent toasting.

This particular unit boasts 8 conveyor speed options, which are easy to adjust with heavy-duty control knobs. Such control allows the operator to select how long bread is toasted, determining the final coloring and crispiness. Plus, independent controls are built-in for the top and bottom elements. Each control includes settings 1 to 6 and provides the operator additional control for easy, custom toast results.

Made of stainless steel, this toaster features front and rear shoots that are easy to attach and remove as needed. It sits on adjustable stainless steel legs, too, making sure that the countertop below is accessible for cleaning purposes. This horizontal conveyor toaster requires a 208V electrical connection for operation and has an output of 3600W.

**⚠ WARNING:** This product can expose you to chemicals including lead, which are known to the State of California to cause cancer, birth defects, or other reproductive harm. For more information, go to [www.p65warnings.ca.gov](http://www.p65warnings.ca.gov).