



www.AvantcoRefrigeration.com

UDD Series Beer Dispenser

BASE MODEL #178UDD378S • OPTIONAL MODELS #178UDD378S6, 178UDD378S8

UDD SERIES - BEER DISPENSER

For convenient dispensing of cold ales and lagers.

CABINET CONSTRUCTION

Corrosion-resistant type 201 stainless steel interior and type 430 stainless steel exterior.

Durable 1 1/2" thick stainless steel top surface is easy to clean after dispensing.

Foamed-in-place polyurethane insulation enhances the structural integrity of the cabinet and helps increase energy efficiency.

Two solid, locking doors feature stay-open feature beyond 90° for easy keg loading, but will self-close under 90° to save energy.

DISPENSING SYSTEM

(2) double tap towers with 10 1/4" faucet height makes filling tall glasses easy. Includes (2) "D" couplers per tap.

SHELVING

Four shelves included for optional use as a back bar cooler. Each accommodates up to 90 lb. to best suit your needs.

REFRIGERATION SYSTEM

Environmentally-safe R290 refrigerant. Bottom-mounted condensing unit positioned for easy maintenance.

MODEL FEATURES

Preprogrammed digital controls with auto defrost feature.

Built-in drip tray with front-facing drain catches drips and sloshes to reduce the amount of clean-up necessary. Drain includes 1/2" diameter barb for easy installation.

PROJECT: _____

MODEL: _____

ITEM #: _____ QUANTITY: _____

APPROVAL: _____ DATE: _____

SPECIAL FEATURES

- Holds (4) 1/2 kegs
- (2) double tap towers with 10 1/4" faucet height
- 1/5 hp compressor uses environmentally-friendly R290 refrigerant
- Self-closing, locking doors
- LED lights illuminate interior
- Includes (2) "D" couplers per tap
- Type 201 stainless steel interior and type 430 stainless steel exterior
- Foamed-in-place polyurethane insulation
- Easy-to-use digital temperature control
- 115V



WARRANTY

RESIDENTIAL: Avantco assumes no liability for parts or labor coverage for component failure, factory defect or any other damages for units installed in non-commercial foodservice or residential applications.



Parts & Labor



Compressor

01/2020



UDD Series Beer Dispenser

BASE MODEL #178UDD378S

OPTIONAL MODELS #178UDD378S6, 178UDD378S8



www.AvantcoRefrigeration.com

TECHNICAL DATA

Dimensions

Exterior Dimensions	78 ¹⁵ / ₁₆ "W x 27 ³ / ₄ "D x 35 ⁵ / ₈ "H
Interior Dimensions	66 ³ / ₈ "W x 21 ⁷ / ₈ "D x 28 ¹⁵ / ₁₆ "H
Tap Tower Dimensions	16"H 3"Diameter
Faucet Height	10 ¹ / ₄ "
Product Capacity	(4) 1/2 Keg
Net Volume	25.8 cu. ft.
Net Weight	320 lb.
Gross Weight	375 lb.
Packaging Dimensions	80 ¹ / ₁₆ "W x 30 ⁵ / ₁₆ "D x 41 ³ / ₄ "H

Cooling

Temperature Range	33°F - 40°F
Refrigerant	R290
Max. Ambient Temperature	90°F
Defrosting	Automatic
Temperature Controller	Digital
Horsepower	1/5

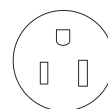
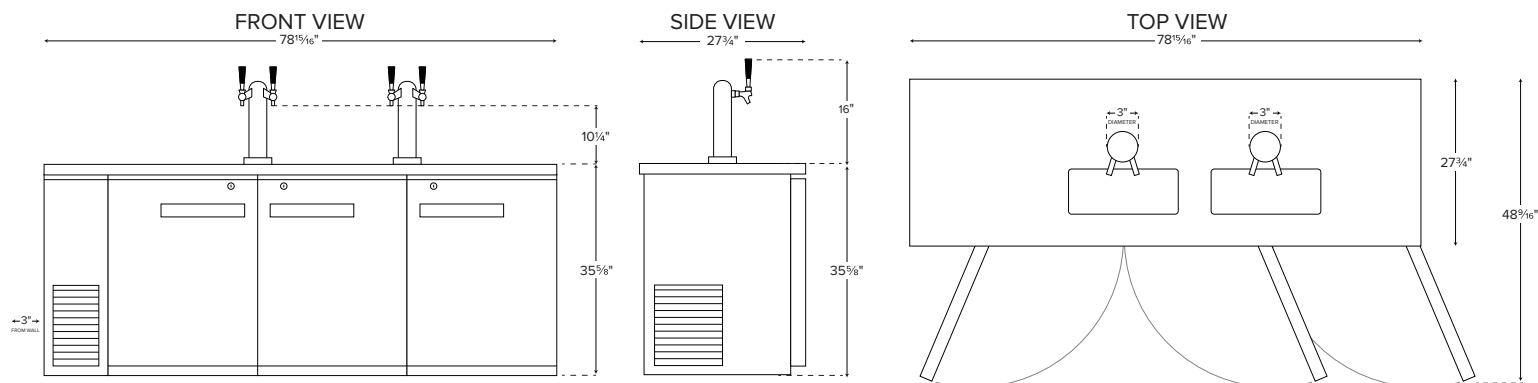
Construction

Exterior Material	Type 430 Stainless Steel
Interior Material	Type 201 Stainless Steel
Insulation Material	Hinged/Foaming polyurethane
Taps	4
Shelves	4
Shelf Material	Epoxy-coated steel

Electrical

Voltage	115
Amps	2.88
Hz	60
Phase	1
Plug Type	NEMA 5-15P
Electrical Cord Length	98"

PLAN VIEW



NEMA 5-15P