



www.AvantcoRefrigeration.com

PROJECT: _____

MODEL: _____

ITEM #: _____ QUANTITY: _____

APPROVAL: _____ DATE: _____

UDD Series Beer Dispenser

BASE MODEL #178UDD1HC • OPTIONAL MODELS #178UDD12, #178UDD13, #178UDD14

UDD SERIES - BEER DISPENSER

For convenient dispensing of cold ales and lagers.

CABINET CONSTRUCTION

Heavy duty construction includes corrosion-resistant 304 stainless steel interior and black coated steel exterior.

Durable 1½” thick stainless steel top surface is easy to clean after dispensing.

Foamed-in-place CFC- and HCFC-free polyurethane insulation enhances the structural integrity of the cabinet and helps increase energy efficiency.

Solid, locking door features stay-open feature beyond 90° for easy keg loading, but will self-close under 90° to save energy.

DISPENSING SYSTEM

Single tap tower with 10¼” faucet height makes filling tall glasses easy.

Includes 1 “D” coupler per tap.

REFRIGERATION SYSTEM

Environmentally-safe R290 refrigerant. Bottom-mounted condensing unit positioned for easy maintenance.

MODEL FEATURES

Preprogrammed digital controls with auto defrost feature.

Built-in drip tray with included drain bottle catches drips and sloshes to reduce the amount of clean-up necessary.

SPECIAL FEATURES

- Holds (1) ½ keg
- 1 tap tower with 10¼” faucet height
- ½ hp compressor uses eco-friendly R290 hydrocarbon refrigerant
- Self-closing, locking door
- Includes 1 “D” coupler per tap
- Attractive black coated steel exterior for durability
- 115V



WARRANTY

RESIDENTIAL: Avantco assumes no liability for parts or labor coverage for component failure, factory defect or any other damages for units installed in non-commercial foodservice or residential applications.



Parts & Labor



Compressor

05/2019



UDD Series Beer Dispenser

BASE MODEL #178UDD1HC

OPTIONAL MODELS #178UDD12, #178UDD13, #178UDD14



www.AvantcoRefrigeration.com

TECHNICAL DATA

Dimensions

Exterior Dimensions	23½"W x 30¾"D x 39¾"H
Interior Dimensions	19½"W x 18⅞"D x 28⅝"H
Tap Tower Dimensions	16"H 3"Diameter
Faucet Height	10¼"
Product Capacity	(1) ½ Keg
Net Volume	7.8 cu. ft.
Net Weight	132 lb.
Gross Weight	176 lb.
Packaging Dimensions	26"W x 32¼"D x 45"H

Construction

Exterior Material	Black Coated Steel
Interior Material	Type 304 Stainless Steel
Insulation Material	Foamed-in-place polyurethane
Taps	1

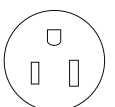
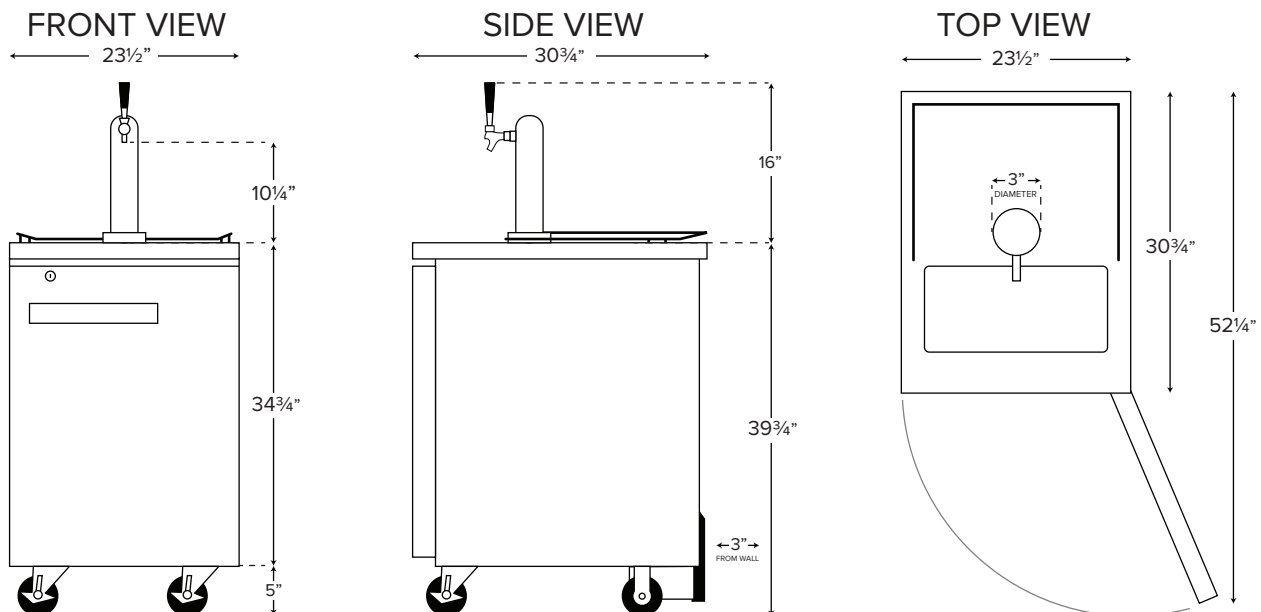
Cooling

Temperature Range	33°F - 40°F
Refrigerant	R290
Max. Ambient Temperature	90°F
Defrosting	Automatic
Temperature Controller	Digital
Horsepower	1/6

Electrical

Voltage	115
Amps	1.92
Hz	60
Phase	1
Plug Type	NEMA 5-15P
Electrical Cord Length	96"

PLAN VIEW



NEMA 5-15P