

# UBB Series Back Bar Refrigerator

REFRIGERATION  
**AVANTCO**

[www.AvantcoRefrigeration.com](http://www.AvantcoRefrigeration.com)

**MODELS** #178UBB72HC

## UBB SERIES - NARROW DEPTH, SOLID DOOR

Optimize space behind your bar.

### CABINET CONSTRUCTION

Heavy-duty black coated steel exterior with a 304 type stainless steel interior features covered corners for easy clean-up. Self-closing, solid doors come standard with locks to protect contents inside. Durable, 1½" thick stainless steel top for prep and drink service.

Foamed-in-place CFC- and HCFC-free polyurethane insulation enhances the structural strength of the cabinet and helps increase energy efficiency.

### REFRIGERATION SYSTEM

Environmentally safe R290 refrigerant. Side-mounted condensing unit positioned for easy maintenance.

### SHELVING

6 epoxy-coated steel shelves included. Each accommodates up to 90 lb.

### MODEL FEATURES

Preprogrammed digital controller features auto-defrost function. LED lighting ensures optimal product visibility. Accommodates three ½ size kegs. Narrow depth design makes this unit ideal for tight bar spaces.

## SPECIAL FEATURES

- Eco-friendly R290 hydrocarbon refrigerant
- Sleek, black coated steel exterior with solid doors
- 304 type stainless steel interior with coved corners maintains temperatures from 33-40°F
- Six epoxy-coated steel shelves accommodate up to 90 lb. each
- Accommodates up to (3) ½ kegs
- Foamed-in-place polyurethane insulation
- Built-in 1½" stainless steel top
- 115V; 1/4 hp
- Stainless steel interior is food rated and marked with the ETL Sanitation mark



## WARRANTY

RESIDENTIAL: Avantco assumes no liability for parts or labor coverage for component failure, factory defect or any other damages for units installed in non-commercial foodservice or residential applications.



Parts & Labor



Compressor



# UBB Series Back Bar Refrigerator



MODELS #178UBB72HC

[www.AvantcoRefrigeration.com](http://www.AvantcoRefrigeration.com)

## TECHNICAL DATA

### Dimensions

Exterior Dimensions	72 <sup>3</sup> / <sub>4</sub> "W x 24 <sup>3</sup> / <sub>8</sub> "D x 36 <sup>5</sup> / <sub>8</sub> "H
Interior Dimensions	60 <sup>1</sup> / <sub>8</sub> "W x 18 <sup>1</sup> / <sub>2</sub> "D x 28 <sup>7</sup> / <sub>8</sub> "H
Net Volume	21.6 cu. ft.
Product Capacity	(3) ½ kegs
Net Weight	331 lb.
Gross Weight	374 lb.
Packaging Dimensions	75 <sup>1</sup> / <sub>4</sub> "W x 27 <sup>1</sup> / <sub>2</sub> "D x 41 <sup>3</sup> / <sub>4</sub> "H

### Cooling

Temperature Range	33 - 40°F
Refrigerant	R290
Max. Ambient Temperature	90°F
Defrosting	Automatic
Temperature Controller	Digital
Horsepower	1/4

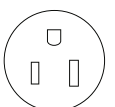
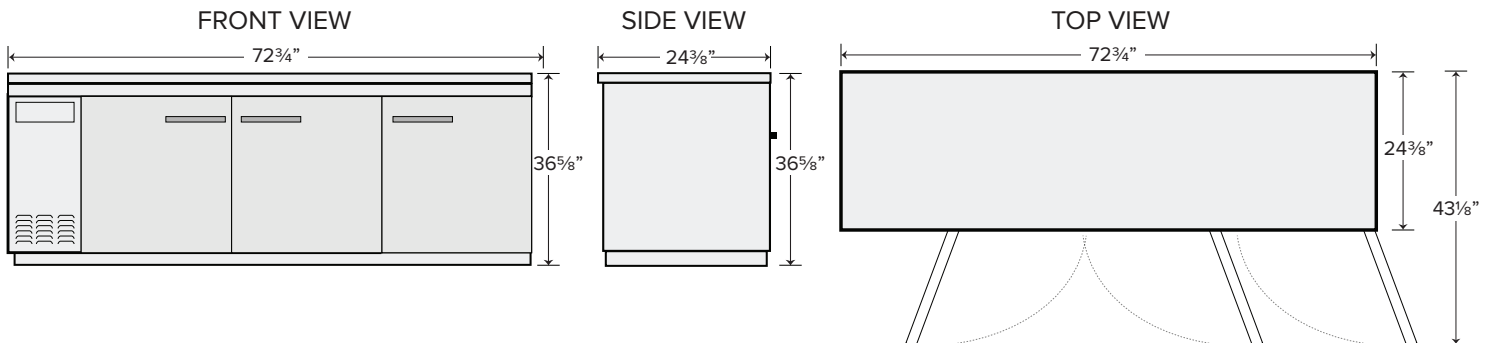
### Construction

Exterior Material	Black Coated Steel
Interior Material	Type 304 Stainless Steel
Countertop Type	Type 304 Stainless Steel
Door Type	Solid
Insulation Material	Foamed-in-place polyurethane
Shelf Size	(4) 19" x 18 <sup>1</sup> / <sub>4</sub> " + (2) 20 <sup>1</sup> / <sub>2</sub> " x 18 <sup>1</sup> / <sub>8</sub> "
Shelf Material	Epoxy-coated steel
Shelf Load Capacity	90 lb.

### Electrical

Voltage	115
Amps	3.96
Hz	60
Phase	1
Plug Type	NEMA 5-15P
Electrical Cord Length	106"

## PLAN VIEW



NEMA 5-15P