

UBB Series

REFRIGERATION
AVANTCO

Commercial Back Bar Coolers



- LED lighting to enhance product visibility
- Durable, 1 ½" thick stainless steel top
- Available in solid or glass doors
- Choose from black or stainless steel finish
- 24" Narrow or 27 ¾" Standard depth options available
- Built-in compressor with R-134a refrigerant
- ETL Sanitation Listed, NSF Compliant

178UBB4G- 90" Glass Door Back Bar Cooler, Black



Keep beverages chilled and ready to serve with the Avantco UBB-4G 90" glass door back bar cooler! Featuring a 1/2 hp refrigeration system, this unit is perfect for chilling bottled beverages, cans, 1/2 kegs, and containers of garnishes. With a higher capacity than 24" deep units, this 27" standard depth unit will hold up to (1546) 12 oz. cans, 837 bottles, or (4) 1/2 size kegs and keep them at safe temperatures between 33 and 41 degrees Fahrenheit.

To help keep your stock of beverages organized, this unit comes with six epoxy-coated shelves. Plus, LED interior lighting is standard so that you can easily find items when you want them. With the three glass doors, you can show off beverages in a way that draws customers' attention. Plus, the doors are made of tempered glass so that they are durable and break-resistant. These three swing glass doors provide easy access, but the unit can also be secured after hours thanks to its door locks.

Made of durable black steel on the outside with a stainless steel interior and top, this unit provides the corrosion resistance that you need in an unobtrusive unit that fits in perfectly behind any bar. This unit provides optimum interior cabinet space since it has a side-mounted evaporator. Plus, the easily accessible design of the refrigeration system makes cleaning and maintenance easy.

1/2 hp. 115V; an 8' 10" cord and NEMA 5-15P plug are included. ETL Listed.



Product Features

- Holds up to (1,542) 12 oz. cans, (834) 12 oz. bottles or (4) 1/2 barrel kegs
- LED lighting to enhance product visibility
- Standard 27 3/4" depth for increased storage capacity
- (6) Adjustable plastic coated wire shelves included
- (3) Swinging doors with locks
- Attractive black coated steel exterior
- 1 1/2" thick 304 series stainless steel top
- 1/2 HP compressor uses R-134a refrigerant

Technical Data

Dimensions

Exterior Dimensions	90 1/4"W x 27 3/4"D x 36 1/4"H
Interior Dimensions	77 1/2"W x 22 1/2"D x 33"H
Net Volume	32 cu. ft.
Net Weight	370 lbs.
Product Capacity	(1,542) 12 oz. cans -or- (834) 12 oz. bottles -or- (4) 1/2 barrel kegs
Packaging Dimensions	91 3/4"W x 30 1/2"D x 41 3/4"H

Cooling

Temperature Range	33° - 41°F
Refrigerant	R-134a
Max. Ambient Temperature	90°F
Defrosting	Automatic
Temperature Display	Digital
Temperature Controller	Digital
Horsepower	1/2

Construction

Exterior Material	Black coated steel
Door Material	Black coated steel
Interior Material	304 Series stainless steel
Countertop Material	304 Series stainless steel
Insulation Material	Foamed in place polyurethane
Shelf Material	Plastic coated wire
Number of Shelves	(4) 25 5/8"W x 21 1/2"D (2) 24 3/4"W x 21 1/2"D

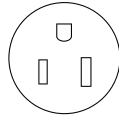
Electrical

Voltage	115
Amps	10
Hz	60
Phase	1
Plug Type	NEMA 5-15P
Electrical Cord Length	106"

178UBB4G- 90" Glass Door Back Bar Cooler, Black

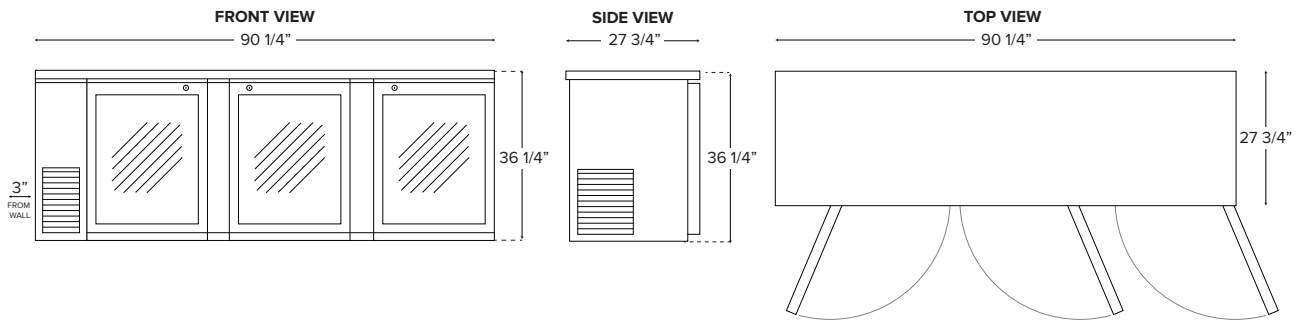


www.AvantcoRefrigeration.com



NEMA 5-15P

Plan View



Warranty Information

This item is backed by a 1 year parts and labor warranty with 5 year warranty on the compressor, unless otherwise stated. For warranty inquiries or service, first locate the model number (located on the front of the unit, or inside the door jamb) and the bold number on the service plate (located on the front of the unit). Next, call 1-800-678-5517. You must have the model number and service plate number when contacting service technicians.



Failure to contact Avantco Refrigeration prior to obtaining equipment service may void your warranty.

Avantco Refrigeration will not warrant coverage for component failure or other damages that arise under the following conditions:

- Failure to install and/or use unit within proper operating conditions specified by Avantco Refrigeration
- Failure to properly maintain the unit. This includes, but is not limited to, basic preventative maintenance such as cleaning the condenser coil.
- Installation in a non-commercial or residential application
- Products sold or used outside of the United States

Additionally, no claims can be made against this warranty for spoilage of product, loss of sales or profits, or any other consequential damages.

Normal wear type parts, such as light bulbs and gaskets, are not included in warranty coverage.