

MC Series School Milk Coolers

REFRIGERATION
AVANTCO

www.AvantcoRefrigeration.com

MODEL #178MC49HC

MC SERIES - SCHOOL MILK COOLERS

Provide quick and easy access to milk, juice, and iced tea.

CABINET CONSTRUCTION

Heavy duty construction includes corrosion-resistant 304 stainless steel interior. Exterior features peel and chip-resistant, powder-coated cold rolled steel that is durable and permanent.

Foamed-in-place CFC- and HCFC-free polyurethane insulation enhances the structural strength of the cabinet and helps increase energy efficiency.

One-piece grill is easily removed for cleaning and servicing.

Stainless steel fold down door and flip-top lid provide easy access for fast and convenient service.

REFRIGERATION SYSTEM

Environmentally-safe R290 refrigerant. Cold wall refrigeration system helps maintain interior temperatures between 33 and 40 degrees Fahrenheit.

SHELVING

Interior houses up to 12 milk crates for holding efficiency.

MODEL FEATURES

Copper evaporator coil eliminates the potential of corrosion.

Easy to read digital controls with auto defrost feature.

SPECIAL FEATURES

- Holds up to 12 milk crates
- Fold down door with flip-top lid for easy access to contents
- White powder coated steel exterior with corrosion-resistant 304 stainless steel interior
- Environmentally-friendly R290 refrigerant
- 33-40 degrees Fahrenheit temperature range
- Cold wall refrigeration system
- Digital thermostat read-out and auto defrost function
- 115V, 1/5 hp



WARRANTY

RESIDENTIAL: Avantco assumes no liability for parts or labor coverage for component failure, factory defect or any other damages for units installed in non-commercial foodservice or residential applications.



Parts & Labor



Compressor



MC Series School Milk Coolers

MODELS #178MC49HC



www.AvantcoRefrigeration.com

TECHNICAL DATA

Dimensions

Exterior Dimensions	49"W x 30 ⁵ / ₈ "D x 41 ³ / ₈ "H
Interior Dimensions	45 ⁷ / ₈ "W x 27"D x 25 ³ / ₄ "H
Product Capacity	(12) Crates
Net Volume	18.5 cu. ft.
Net Weight	243 lb.
Gross Weight	275 lb.
Packaging Dimensions	50 ¹ / ₄ "W x 31 ¹ / ₄ "D x 45 ¹ / ₄ "H

Cooling

Temperature Range	33°F - 40°F
Refrigerant	R290
Max. Ambient Temperature	90°F
Defrosting	Automatic
Temperature Controller	Digital
Horsepower	1/5

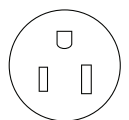
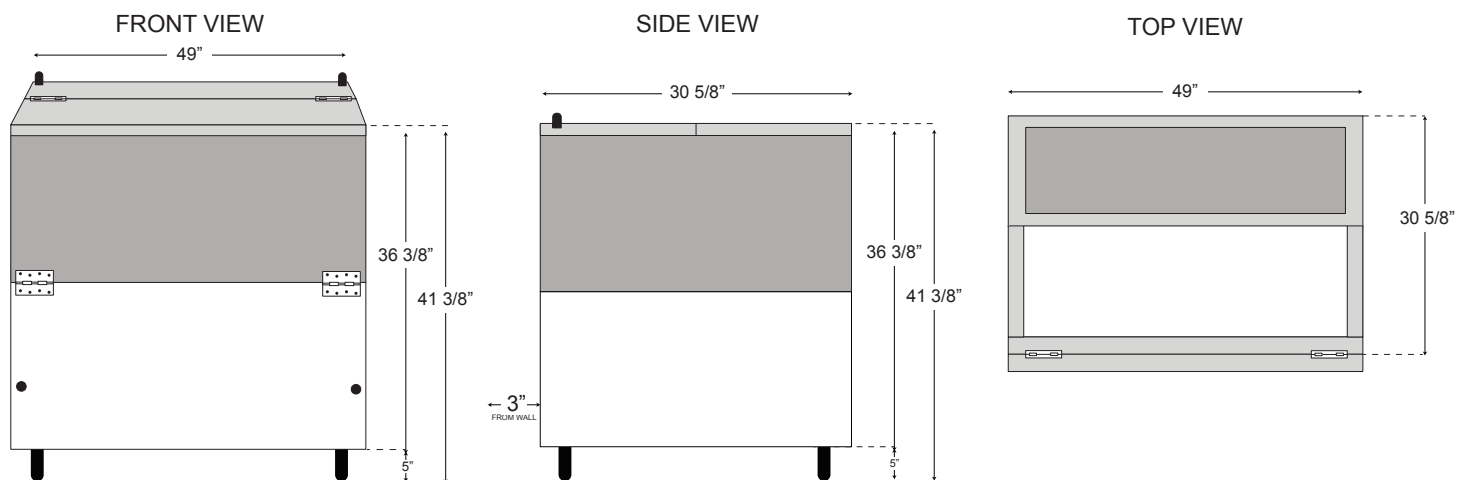
Construction

Exterior Material	White Coated Steel
Interior Material	Type 304 Stainless Steel
Insulation Material	Foamed-in-Place Polyurethane

Electrical

Voltage	115
Amps	2.28
Hz	60
Phase	1
Plug Type	NEMA 5-15P
Electrical Cord Length	96"

PLAN VIEW



NEMA 5-15P