

HBB Series Horizontal Bottle Coolers

REFRIGERATION
AVANTCO

MODEL #178HBB25HCS

www.AvantcoRefrigeration.com

HBB SERIES - STAINLESS STEEL HORIZONTAL BOTTLE COOLERS

Keep plenty of cold canned and bottled beverages on hand

CABINET CONSTRUCTION

Heavy duty 430 type stainless steel exterior with painted aluminum interior. Stainless steel locking lids and countertop surface.

Foamed-in-place CFC- and HCFC-free polyurethane insulation enhances the structural strength of the cabinet and helps increase energy efficiency. Insulated locking lid helps maintain safe product temperatures.

REFRIGERATION SYSTEM

Environmentally-safe R290 refrigerant. Bottom-mounted Condensing unit positioned for easy maintenance.

MODEL FEATURES

Preprogrammed digital controller features auto-defrost function. Included bottle opener with removable cap catcher makes service convenient. Locking stainless steel lids protects contents during off hours.

SPECIAL FEATURES

- Eco-friendly R290 hydrocarbon refrigerant
- Durable stainless steel exterior; painted aluminum interior
- Maintains temperatures from 33 to 40°F
- Spacious 4.1 cu. ft. interior
- Includes a locking lid and a removable bottle opener/cap catcher
- Foamed-in-place polyurethane insulation
- Easy-to-read digital temperature controller and auto-defrost function
- 115V, 1/6 hp



WARRANTY

RESIDENTIAL: Avantco assumes no liability for parts or labor coverage for component failure, factory defect or any other damages for units installed in non-commercial foodservice or residential applications.



Parts & Labor



Compressor



HBB Series Horizontal Bottle Coolers

MODELS #178HBB25HCS



www.AvantcoRefrigeration.com

TECHNICAL DATA

Dimensions

Exterior Dimensions	26 ³ / ₈ "W x 28"D x 34 ¹ / ₄ "H
Interior Dimensions	22 ¹ / ₄ "W x 23"D x 15 ³ / ₄ "H
Net Volume	4.1 cu. ft.
Net Weight	128 lb.
Gross Weight	158 lb.
Packaging Dimensions	30 ¹ / ₄ "W x 31"D x 41 ³ / ₄ "H

Cooling

Temperature Range	33°F - 40°F
Refrigerant	R290
Max. Ambient Temperature	90°F
Defrosting	Automatic
Temperature Controller	Digital
Horsepower	1/6

Construction

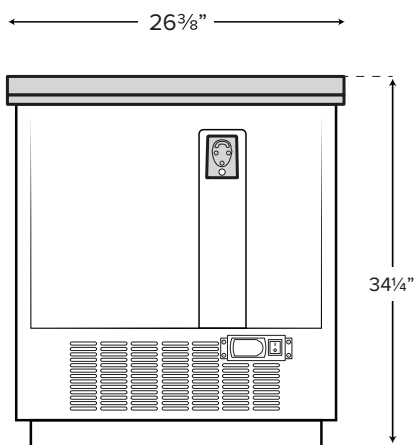
Exterior Material	Stainless Steel 430
Interior Material	Painted Aluminum
Insulation Material	Foamed-In-Place Polyurethane

Electrical

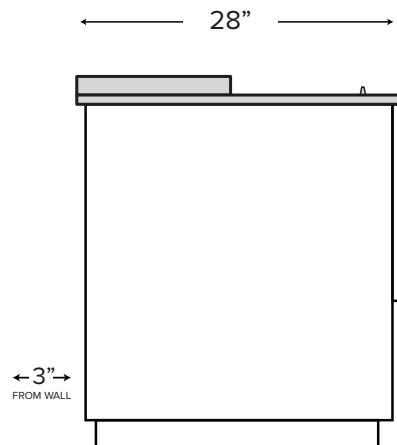
Voltage	115
Amps	2.04
Hz	60
Phase	1
Plug Type	NEMA 5-15P
Electrical Cord Length	90"

PLAN VIEW

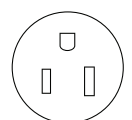
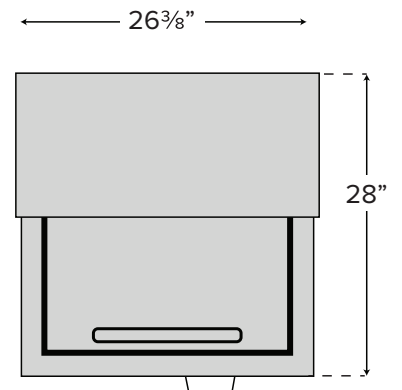
FRONT VIEW



SIDE VIEW



TOP VIEW



NEMA 5-15P