

# GF Series Glass Froster

REFRIGERATION  
**AVANTCO**

[www.AvantcoRefrigeration.com](http://www.AvantcoRefrigeration.com)

**MODEL #178GF50HCS**

## GF SERIES - GLASS FROSTER

Frost craft beer glasses or cool plates before service.

### CABINET CONSTRUCTION

Durable type 430 stainless steel exterior with a white painted aluminum interior. Stainless steel sliding door for easy access. Door lock protects contents inside.

Foamed-in-place CFC- and HCFC-free polyurethane insulation enhances the structural strength of the cabinet and helps increase energy efficiency.

### REFRIGERATION SYSTEM

Environmentally-safe R290 refrigerant.

### SHELVING

8 epoxy-coated steel shelves included to hold plates or glasses.

### MODEL FEATURES

Digital controller features auto-defrost function. Not intended for the storage or display of perishable materials.

## SPECIAL FEATURES

- Eco-friendly R290 hydrocarbon refrigerant
- 8 epoxy-coated steel shelves for glasses or plates
- Sliding stainless steel door for easy access
- Maintains temperatures between -5 and -2°F
- Easy-to-use, digital temperature controls
- Foamed-in-place polyurethane insulation
- Sleek type 430 stainless steel exterior
- Painted aluminum interior
- Auto defrost for easy maintenance
- 115V, 1/4 hp



## WARRANTY

RESIDENTIAL: Avantco assumes no liability for parts or labor coverage for component failure, factory defect or any other damages for units installed in non-commercial foodservice or residential applications.



Parts & Labor



Compressor



# GF Series Glass Froster

MODEL #178GF50HCS



[www.AvantcoRefrigeration.com](http://www.AvantcoRefrigeration.com)

## TECHNICAL DATA

### Dimensions

Exterior Dimensions	50"W x 28½"D x 33"H
Interior Dimensions	45"W x 23"D x 26"H
Net Volume	12.2 cu. ft.
Net Weight	181 lb.
Gross Weight	224 lb.
Packaging Dimensions	54"W x 30"D x 42"H

### Cooling

Temperature Range	-5 - 2°F
Refrigerant	R290
Max. Ambient Temperature	90°F
Defrosting	Automatic
Temperature Controller	Digital
Horsepower	1/4

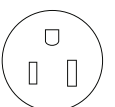
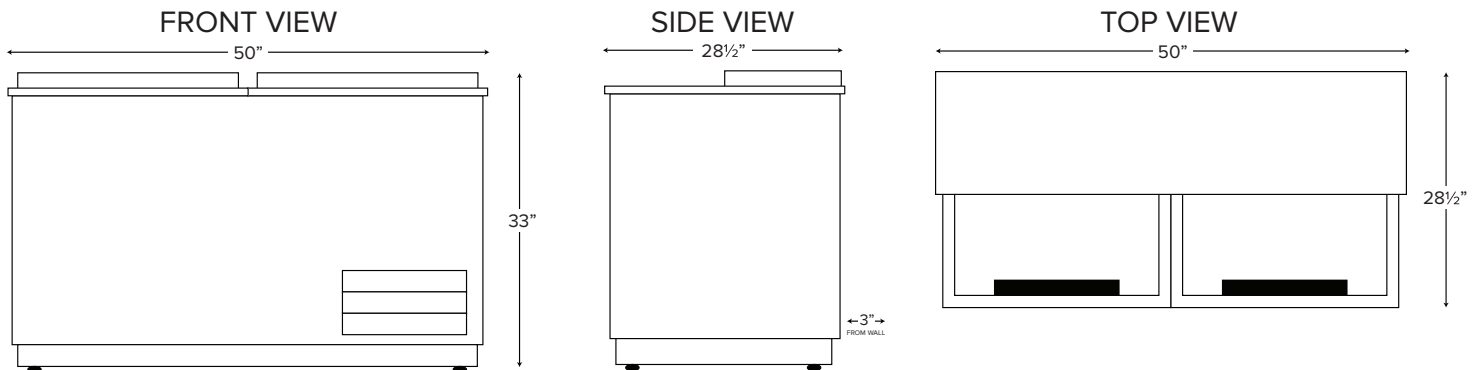
### Construction

Exterior Material	Type 430 Stainless Steel
Interior Material	Painted Aluminum
Insulation Material	Foamed-In-Place polyurethane
Shelves	(6) 15" x 10" and (2) 14¾" x 22½"
Shelf Material	Epoxy Coated Steel
Shelf Load Capacity	55 lb.

### Electrical

Voltage	115
Amps	5.3
Hz	60
Phase	1
Plug Type	NEMA 5-15P
Electrical Cord Length	90"

## PLAN VIEW



NEMA 5-15P