

GF Series Glass Froster

REFRIGERATION
AVANTCO

www.AvantcoRefrigeration.com

MODEL #178GF25HCS

GF SERIES - GLASS FROSTER

Frost craft beer glasses or cool plates before service.

CABINET CONSTRUCTION

Durable type 430 stainless steel exterior with a white painted aluminum interior. Stainless steel sliding door for easy access. Door lock protects contents inside.

Foamed-in-place CFC- and HCFC-free polyurethane insulation enhances the structural strength of the cabinet and helps increase energy efficiency.

REFRIGERATION SYSTEM

Environmentally-safe R290 refrigerant.

SHELVING

4 epoxy-coated steel shelves included to hold plates or glasses.

MODEL FEATURES

Digital controller features auto-defrost function. Not intended for the storage or display of perishable materials.

SPECIAL FEATURES

- Eco-friendly R290 hydrocarbon refrigerant
- 4 epoxy-coated steel shelves for glasses or plates
- Sliding stainless steel door for easy access
- Maintains temperatures between -5 and -2° F
- Easy-to-use, digital temperature controls
- Foamed-in-place polyurethane insulation
- Sleek type 430 stainless steel exterior
- Painted aluminum interior
- Auto defrost for easy maintenance
- 115V, 1/5 hp



WARRANTY

RESIDENTIAL: Avantco assumes no liability for parts or labor coverage for component failure, factory defect or any other damages for units installed in non-commercial foodservice or residential applications.



Parts & Labor



Compressor



GF Series Glass Froster

MODEL #178GF25HCS



www.AvantcoRefrigeration.com

TECHNICAL DATA

Dimensions

Exterior Dimensions	26"W x 28"D x 34"H
Interior Dimensions	22"W x 23"D x 26"H
Net Volume	4.1 cu. ft.
Net Weight	125 lb.
Gross Weight	158 lb.
Packaging Dimensions	32"W x 33"D x 42"H

Cooling

Temperature Range	-5 - 2°F
Refrigerant	R290
Max. Ambient Temperature	90°F
Defrosting	Automatic
Temperature Controller	Digital
Horsepower	1/5

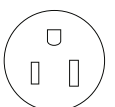
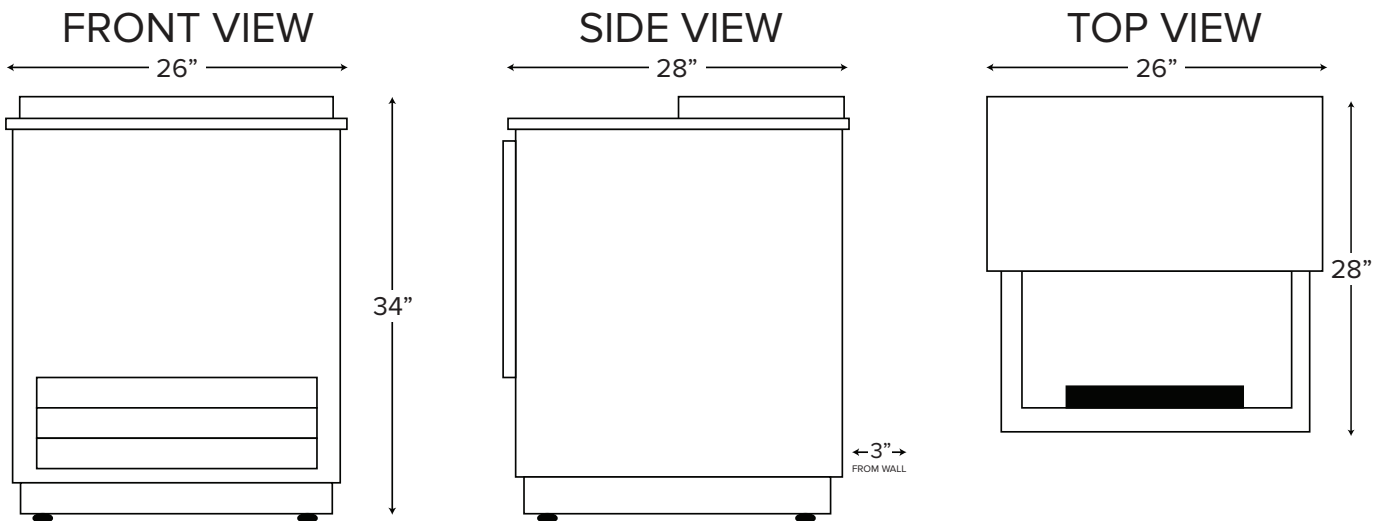
Construction

Exterior Material	Type 430 Stainless Steel
Interior Material	Painted Aluminum
Insulation Material	Foamed-In-Place polyurethane
Shelves	(4) 9 ³ / ₄ " x 22"
Shelf Material	Epoxy Coated Steel
Shelf Load Capacity	40 lb.

Electrical

Voltage	115
Amps	3.3
Hz	60
Phase	1
Plug Type	NEMA 5-15P
Electrical Cord Length	90"

PLAN VIEW



NEMA 5-15P