



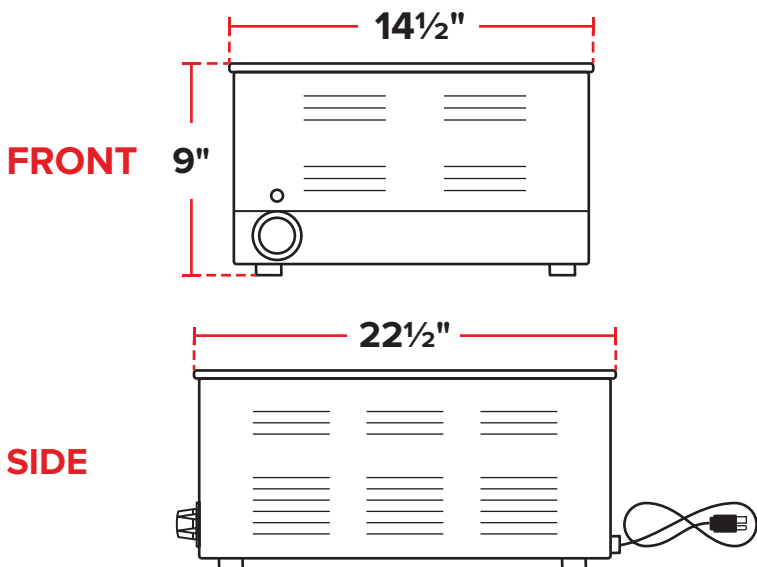
Full Size Electric Countertop Food Warmer/ Soup Station

ITEM NUMBER

#177WK1200411

SPECIAL FEATURES

- Includes 2 hole adapter, (1) 11 Qt. and (1) 4Qt. Inset pot, (2) notched covers, and (1) 3 oz and (1) 12 oz. ladle
- Heavy-duty water well
- Heating element supports direct heat to food using water
- 27 qt. well capacity; 15 qt. inset capacity
- 120V, 1200W



TECHNICAL DATA

Interior Dimensions	12" x 20" x 6 1/4"
Exterior Dimensions	14 1/2" x 22 1/2" x 9"
Temperature Range	120-165°F
Voltage	120V
Wattage	1200W
Hertz	60Hz
Amps	10 Amps
Phase	1
Material	Stainless Steel



5-15P