

PROJECT: _____

MODEL: _____

ITEM #: _____ QUANTITY: _____

APPROVAL: _____ DATE: _____

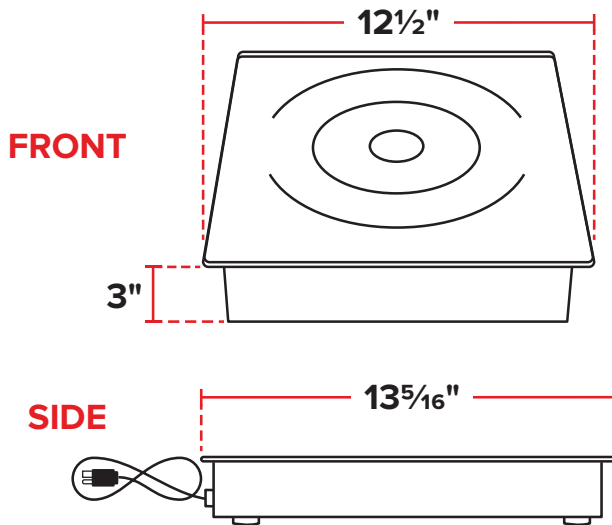
Drop-In Induction Range/Cooker with Remote Control

ITEM NUMBER

#177DC1800

SPECIAL FEATURES

- Drop-in design makes it a great choice for caterers
- Cooking surface diameter 5"-10"
- Easy-to-read LED display and detached remote control
- 65 lb. suggested weight capacity
- No open flame makes this a safer alternative to conventional countertop ranges



TECHNICAL DATA

Dimensions	12½"W x 13⅝"D x 3"H
Cutout Dimensions	11⅜"W x 12⅜"D
Control Cutout Dimensions	5⅝"W x 3⅜"D x 1⅝"H
Phase	1
Number of Burners	1
Voltage	120
Wattage	1800
Control Type	Digital
Temperature Range	140-464
Weight Capacity	65 lb.



5-15P