

C-Series Coffee Brewers, Urns, & W-Series Warmers



With Avantco's pourover coffee brewers, urns and decanter warmers, you'll always have fresh, hot coffee on hand. Push button operation and stainless steel construction make them easy to operate and own.

- Perfect for coffee shops, diners, c-stores, restaurants break rooms and more
- Stainless Steel Construction
- Always have fresh, hot coffee ready for your customers





Description

Simple push-button operation and the pourover design make the Avantco C30 coffee brewer a breeze to use! It features one upper and two lower warmers, so you'll always have a hot pot ready while the other one is brewing! The Avantco C30 brews delicious, hot coffee at the optimal brewing temperature of 201 to 205 degrees Fahrenheit, for rich, consistent coffee every time. Its all-stainless steel construction makes the brewer easy to clean, and it is ETL Listed. The Avantco C30 requires a 120V electrical connection. Because the Avantco C30 will begin brewing immediately when the water reservoir is filled, we recommend leaving it unplugged when filling for the first time. Overall Dimensions are 16 1/4" x 13 3/4" x 16 3/4".

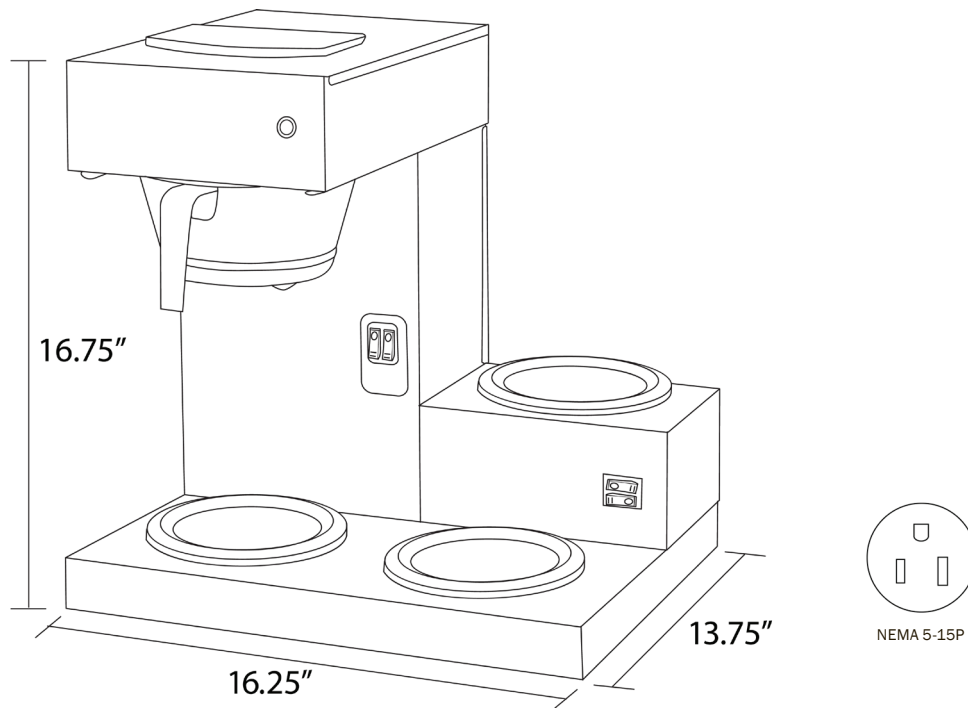
Features

- All stainless steel design
- 2.2 liter water tank reservoir
- Pourover operation- no plumbing required
- Optimal brewing temperature 201°-205° F
- Easy-to-drain water tank pipe feature
- Lighted system function
- Standard 120V operation
- ETL compliant

Technical Data

Dimensions (W x D x H)	16 1/4" x 13 3/4" x 16 3/4"
Tank Capacity	2.2 Liters (1/2 Gal.)
External Material	Stainless Steel
Brewing Temperature	201°-205° F
Voltage	120V
Watts	1690W
Cord Length	3'

Plan View



Recommended Companion Products



There's nothing like the enticing aroma of freshly brewed coffee. With Crown Beverages coffee, you'll always serve a perfect cup. Plus, if you do the math, you'll see that you could be saving nearly a dollar per pound or more, compared to some popular national brands!

Klearly Koffee

This cleaner removes mineral buildup and oil deposits in coffee pots that make coffee taste bitter or rancid, and should be used daily to ensure the best tasting coffee. A remarkably versatile cleaner, this product not only sanitizes coffee pots, but airpots, teapots, glass bowls, plastic coffee bins, stainless steel, porcelain and ceramics.

Accessories

Description

This delimiting spring fits into the sprayhead opening of pour-over coffee makers to loosen lime deposits. Made of stainless steel. 1/3"D x 20"L . Item sold separately.



3591901033