

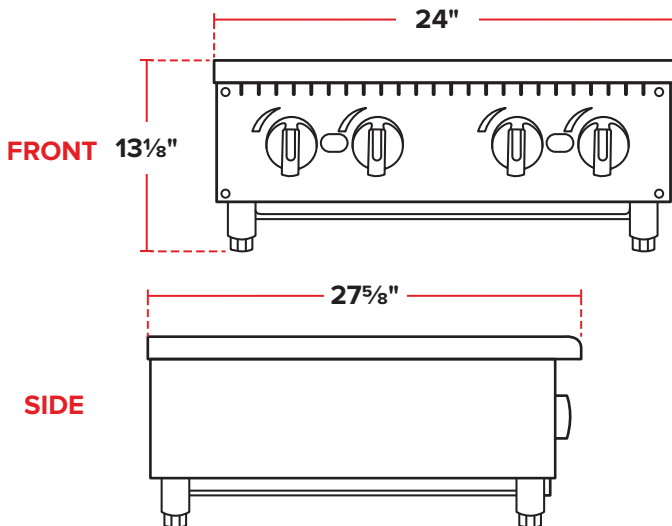
# 4 Burner Gas Countertop Range

## ITEM NUMBER

#177AGR424

## SPECIAL FEATURES

- 4 burners at 25,000 BTU each
- Standing pilots for ease of use
- Durable stainless steel body withstands tough kitchen environments
- Field convertible to liquid propane
- 3/4" rear gas connection



## RECOMMENDED COMPANION PRODUCTS

Item Number	Product Description
147FORMULAD	Noble Chemical Formula-D Decarbonizer and Degreaser
600GKS3448	Regency Gas Connector Hose Kit

## TECHNICAL DATA

Dimensions	24"W x 27 <sup>5</sup> / <sub>8</sub> "D x 13 <sup>1</sup> / <sub>8</sub> "H
Number of Burners	4
BTU/Burner	25,000
Total BTU	100,000
Controls	Infinite



5-15P