

# Amana® Commercial

Project #: \_\_\_\_\_

Item #: \_\_\_\_\_



Model RMS10DS shown

## Low Volume

This category of microwave is ideal for...

### Applications:

- Vending
- Break rooms
- Espresso bars
- Nurses stations

All ACP, Inc. commercial ovens are backed by our Culinary Center. Call us with any question regarding food preparation, menu development and cooking times. 866-426-2621.



## Low Volume

### Amana Commercial Microwave Model RMS10DS

#### Power Output

- 1000 watts of power.
- Full power only for simple operation.

#### Certified Oven for Commercial Applications

- Tested to higher standards for a commercial rating - required by most commercial insurance policies and health inspectors.
- Interlock safety switch is tested to 4 times the standard of residential ovens.
- Constructed to withstand the foodservice environment, multiple users and variable ambient temperatures.
- Compared to a residential oven, this oven is more powerful for faster heating and better quality results.
- Engineered for a simple, "self-service" operation.

#### Easy to Use

- User friendly dial timer designed for self-serve applications.
- 6 minute digital timer lights up for "at-a-glance" monitoring.
- Timer automatically resets to zero if door is open during heating.
- See-through door and lighted interior for monitoring without opening the door.
- 0.8 cubic foot (23 liter) capacity accommodates a 12" (305mm) platter, prepackaged foods and single servings.

#### Easy to Maintain

- Stainless steel exterior wrap and interior for easy cleaning and a commercial look.
- Backed by the ACP, Inc. 24/7 ComServ Support Center, 866-426-2621.
- UL and ETL Listed.



AIA File #:

Specification #:

Part No. 20154810  
Updated 1/28/15  
Original Instructions



© 2015 ACP, Inc.  
Cedar Rapids, Iowa 52404

225 49th Ave. Dr. SW Cedar Rapids, IA 52404  
®/™ © 2014 Amana. All rights reserved. Brand used under license.

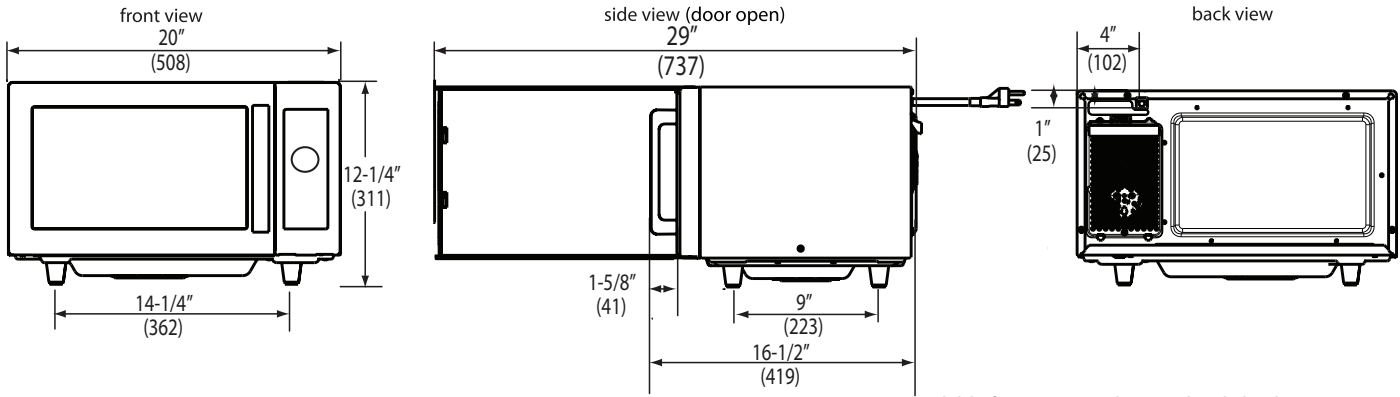
800-233-2366

319-368-8120

Fax: 319-368-8198

www.acpsolutions.com

# Amana Commercial Microwave Model RMS10DS | Low Volume



Installation clearance: 3" all sides

Drawings available from KCL CADlog - techs@kclcad.com

Specification #:

Specifications			
Model	RMS10DS	UPC Code 728028315998	
Configuration	Countertop		
Control System	Dial		
Max. Cooking Time	6:00		
Power Levels	1		
Time Entry Option	Yes		
Microwave Distribution	Rotating stirrer, bottom		
Magnetron	1		
Stage Cooking	1 stage		
Interior Light	Yes		
Door Handle	Grab & Go		
Signal	End of cycle		
Exterior Dimensions	H 12 1/4" (311)	W 20" (508)	D* 16 1/2" (419)
Cavity Dimensions	H 7 3/4" (197)	W 13" (330)	D 13" (330)
Door Depth	29" (737), 90°+ door open		
Usable Cavity Space	0.8 cubic ft. (23 liter)		
Exterior Finish	Stainless steel wrap		
Interior Finish	Stainless steel		
Power Consumption	1500 W, 13 A		
Power Output**	1000 W** Microwave		
Power Source	120V, 60 Hz, 15 A single phase		
Plug Configuration / Cord	NEMA 5-15	5 ft. (1.5m)	⚠
Frequency	2450 MHz		
Product Weight	32 lbs. (14.5 kg.)		
Ship weight (approx.)	39 lbs. (17.7 kg.)		
UPS Shippable	Yes		
Shipping Carton Size	H 15" (381)	W 23" (584)	D 18" (457)

## Specifications

Commercial microwave shall have a user-friendly 6 minute dial timer with illuminated digits and end of cycle audible signal. Timer shall automatically reset to zero if the door is opened during heating. Oven shall have one power level - full power. Microwave output shall be 1000 watts distributed by one magnetron with a bottom feed rotating stirrer to provide superior even heating throughout the cavity. Durable door shall have a tempered glass window and a grab and go handle with a 90°+ opening for easy access. An interior light shall facilitate monitoring without opening the door. The 0.8 cubic ft. (23 liter) cavity shall accommodate a 12" (305 mm) platter. Oven shall have a stainless steel exterior wrap and interior. Microwave oven shall comply with standards set by the U.S Department of Health and Human Services, UL923 for safety and NSF4 for sanitation.



## Warranty

Warranty Certificate for this product can be found on the ACP, Inc. website at:  
[www.acpsolutions.com/warranty](http://www.acpsolutions.com/warranty)



## Service

All products are backed by the ACP, Inc. 24/7 ComServ Support Center.



Measurements in ( ) are millimeters

\* Includes handle

\*\*IEC 60705 Tested

AIA File #:

Part No. 20154810  
Updated 1/28/15  
Original Instructions



© 2015 ACP, Inc.  
Cedar Rapids, Iowa 52404