

# CS-200

## Hot Food Holding Carving Station



- Halo Heat . . . a controlled, uniform heat source radiating heat directly from the carving surface.
- The fixed lamp assembly provides additional heat to the product surface for greater surface temperature control.
- Proper and safe serving temperatures are maintained without additional cooking.
- The heated surface is recessed to catch drippings.
- The sanitary cutting board with gravy lane is removable and listed with NSF and USDA.
- The carving station is designed to fit on top of a Halo Heat Cook & Hold oven, Heated Holding Cabinet, or suitable for placement on any surface.
- A clear glass customer breath guard easily slides in place and meets new NSF breath guard specifications.



### Short Form Spec

The Alto-Shaam CS-200 hot food holding carving station is constructed with stainless steel and includes one (1) On/Off power switch and one (1) indicator light. The heated base is controlled by one (1) three-position toggle switch for Low/Medium/High heat. Two (2) 250-watt infrared heat lamps are controlled by one (1) On/Off switch. The heated surface is recessed to catch drippings. The CS-200 is furnished with one (1) set of 1" (25mm) legs and one (1) 21-5/8" x 21-5/8" x 1/2" (550mm x 550mm x 13mm) cutting board.

- Model CS-200:** Carving station with two lamps
- Model CS-200/S:** Carving station with two lamps and clear glass customer breath guard



### Factory-installed Options

- Electrical
  - 120V, 1ph, 60Hz
  - 230V, 1ph, 50/60Hz

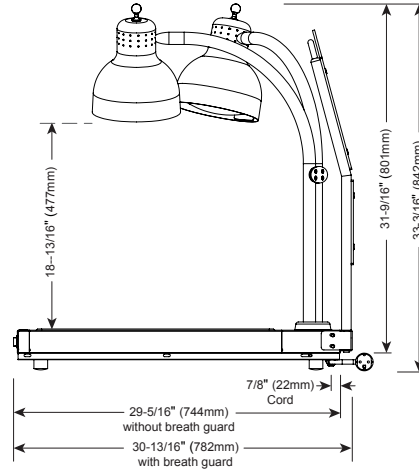
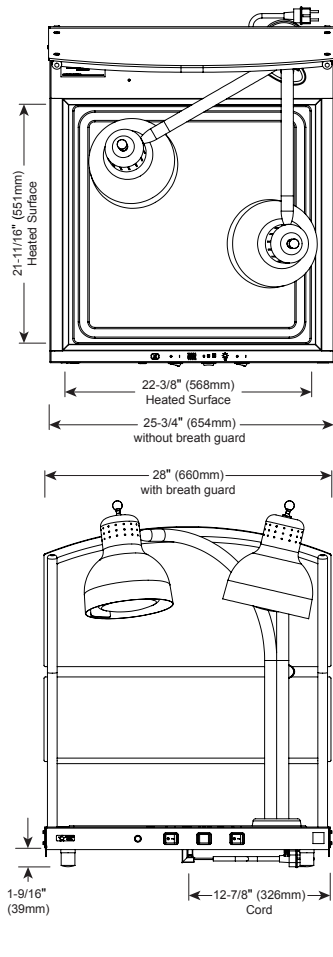


W164 N9221 Water Street • P.O. Box 450 • Menomonee Falls, Wisconsin 53052-0450 • U.S.A.  
 Phone: 262.251.3800 800.558.8744 U.S.A./CANADA Fax: 262.251.7067 800.329.8744 U.S.A. only  
[www.alto-shaam.com](http://www.alto-shaam.com)



# CS-200

## Hot Food Holding Carving Station



| <b>Dimensions:</b> (H x W x D) |  |
|--------------------------------|--|
| CS-200:                        | 33-3/16" x 25-3/4" x 29-5/16"<br>(842mm x 654mm x 744mm) |
| CS-200/S:                      | 33-3/16" x 26" x 30-13/16"<br>(842mm x 660mm x 782mm)    |

| <b>Product/Pan Capacity</b>                    |
|--|
| 70 lbs (32 kg) max.<br>(large steamship round) |

| <b>Installation Requirements</b>   |
|--|
| Carving station must be installed on a stable level surface, and must not be installed in any area where it may be affected by steam, grease, dripping water, high temperatures, or any other severely adverse conditions. |

| <b>Stacking Configurations</b>   |
|--|
| on 750-S holding cabinet   |
| on 750-TH-II or 750-TH/III cook & hold oven  |
| on 767-SK or 767-SK/III smoker oven  |
| <b>Notice:</b> Remove rubber feet and spacers prior to installation on 750 & 767 series units. |

| <b>Attention</b>  |
|---|
| Warranty does not apply if the carving station is flooded or immersed in water. |

| <b>Electrical - CS-200</b> |             |       |         |      |                               |
|----------------------------|-------------|-------|---------|------|-------------------------------|
| V                          | PH          | Hz    | A       | kW   |                               |
| 120                        | 1           | 60    | 6.3     | 0.75 | NEMA 5-15P<br>15A - 120V PLUG |
| 230                        | 1           | 50/60 | 3.26    | 0.75 | PLUGS RATED 250V              |
|                            | CEE 7/7     |       | CH2-16P |      | BS 1363                       |
|                            | AS/NZS 3112 |       |         |      |                               |

| <b>Weight* (EST.)</b>  |   |
|--|---|
| CS-200   | CS-200/S                                    |
| Net: 60 lb (27 kg)   | Net: Contact factory                        |
| Ship: 150 lb (68 kg)   | Ship: 170 lbs (77 kg)                       |
| Crate dimensions (L x W x H):  | 35" x 35" x 41"<br>(889mm x 889mm x 1041mm) |
| *Domestic ground shipping information. Contact factory for export weight and dimensions. |   |

| <b>Accessories</b>                       |   |
|--|---|
| <b>Carving Holders</b>                   |   |
| <input type="checkbox"/> Prime Rib       | HL-2635   |
| <input type="checkbox"/> Steamship Round | 4459  |
| <b>Cutting Board</b>                     |   |
| <input type="checkbox"/> Full-size:      | 21-5/8" x 21-5/8" x 1/2"<br>(550mm x 550mm x 13mm) BA-28066 |
| <input type="checkbox"/> Half-size:      | 10-3/4" x 21-5/8" x 1/2"<br>(273mm x 550mm x 13mm) BA-29244 |



W164 N9221 Water Street • P.O. Box 450 • Menomonee Falls, Wisconsin 53052-0450 • U.S.A.  
 Phone: 262.251.3800 800.558.8744 U.S.A./Canada Fax: 262.251.7067 800.329.8744 U.S.A. only  
 www.alto-shaam.com