

Models VS-1.5, VS-1.5S & VS-S

1.5 Gallon Vacuum Insulated Shuttle® & Stand



Model VS-1.5S



GRINDMASTER™
CORPORATION

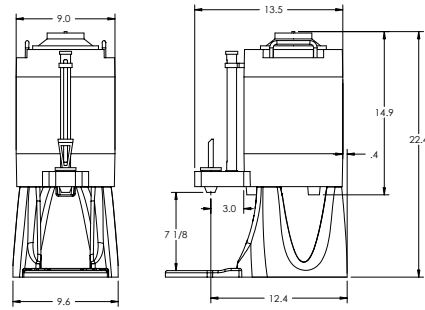


GRINDMASTER™
CORPORATION

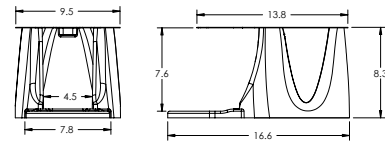
Models VS-1.5, VS-1.5S and VS-S

Features

- **Brew-Thru®** lid
- NSF approved
- Stainless steel exterior and interior
- Adaptable to most large volume commercial coffee makers
- Compact design for easier mobility
- Maintains perfect coffee holding temperature



Model VS-1.5S (with stand)



Model VS-S

| Specifications | Model VS-1.5 | Model VS-1.5S | Model VS-S |
|--|--|---|--|
| Description | Shuttle® only | Shuttle® with stand attached | Stand only |
| Capacity | 1.5 gallons (5.7 liters) | 1.5 gallons (5.7 liters) | N/A |
| Temperature Retention | 4°F loss after 2 hours 8°F loss after 5 hours | 4°F loss after 2 hours 8°F loss after 5 hours | N/A |
| Insulation | Vacuum | Vacuum | N/A |
| Outside Surface | Stainless steel and black glossy plastic | Stainless steel and black glossy plastic | Black glossy plastic |
| Inside Liner | Stainless steel | Stainless steel | N/A |
| Faucet Clearance | 7.2" (18 cm) - when placed on stand | 7.2" (18 cm) | N/A |
| Dimensions | 14-7/8" (38 cm) H, 9" (23 cm) diameter | 22-1/2" H x 9-1/2" W x 16-1/2" D (57 cm x 24 cm x 42 cm) | 8-1/2" H x 9.5" W x 16-1/2" D (22 cm x 24 cm x 42 cm) |
| Shipping Dimensions (H x W x D) | 17" H x 15-1/4" W x 11" D (43 cm x 39 cm x 28 cm) | 25" H x 12-1/2" W x 17" D (64 cm x 32 cm x 43 cm) | 12" H x 12-1/2" W x 16-1/2" D (31cm x 32 cm x 42 cm) |
| Weight | 8 lbs. (3.6 kg) | 10 lbs. (4.5 kg) | 2-1/2 lbs. (1.1 kg) |
| Shipping Weight | 10 lbs. (4.5 kg) | 13 lbs. (5.9 kg) | 3-1/2 lbs. (1.6 kg) |
| Listings | NSF | NSF | NSF |

All specifications are subject to improvement or change without notice.



GRINDMASTER™
CORPORATION



Grindmaster® Coffee Grinders and Brewers • Espresso® Espresso Machines • Crathco® Hot Beverage Dispensers
Crathco® Cold and Frozen Beverage Dispensers • American Metal Ware® Coffee and Tea Systems
Tel (502) 425-4776 • Fax (502) 425-4664 • 1-800-695-4500 (USA & Canada only)

P.O. Box 35020 • Louisville, KY 40232 • USA