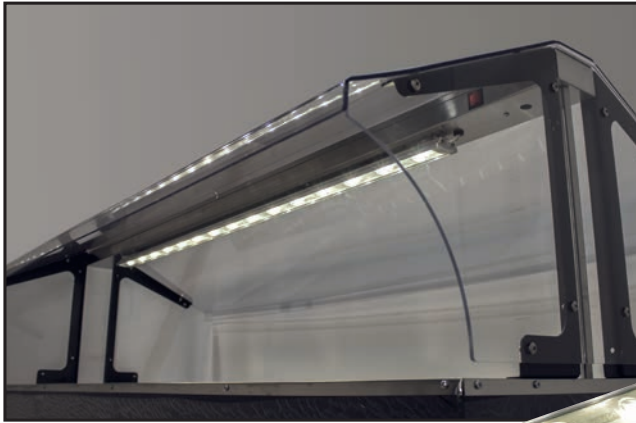




# LED DISPLAY LIGHTING

## For Everyday Buffets



Item #: \_\_\_\_\_ Qty #: \_\_\_\_\_  
 Model #: \_\_\_\_\_  
 Project #: \_\_\_\_\_

**FEATURES:**

Includes Class 2 Low Voltage Power Supply-120V-277V  
 Available in White, Black & Natural Aluminum Finish

**CONSTRUCTION:**

High Impact resistant Mounting Clips

**MATERIAL:**

Aluminum Rail with Shatter-Proof Optics

**NOTE:** Shelves Require 6" clearance on both sides to fit above LED Lighting.  
 5 amps per fixture regardless of length.

**FACTORY INSTALLED ONLY • PRINT REQUIRED FOR PROPER LED LOCATION**

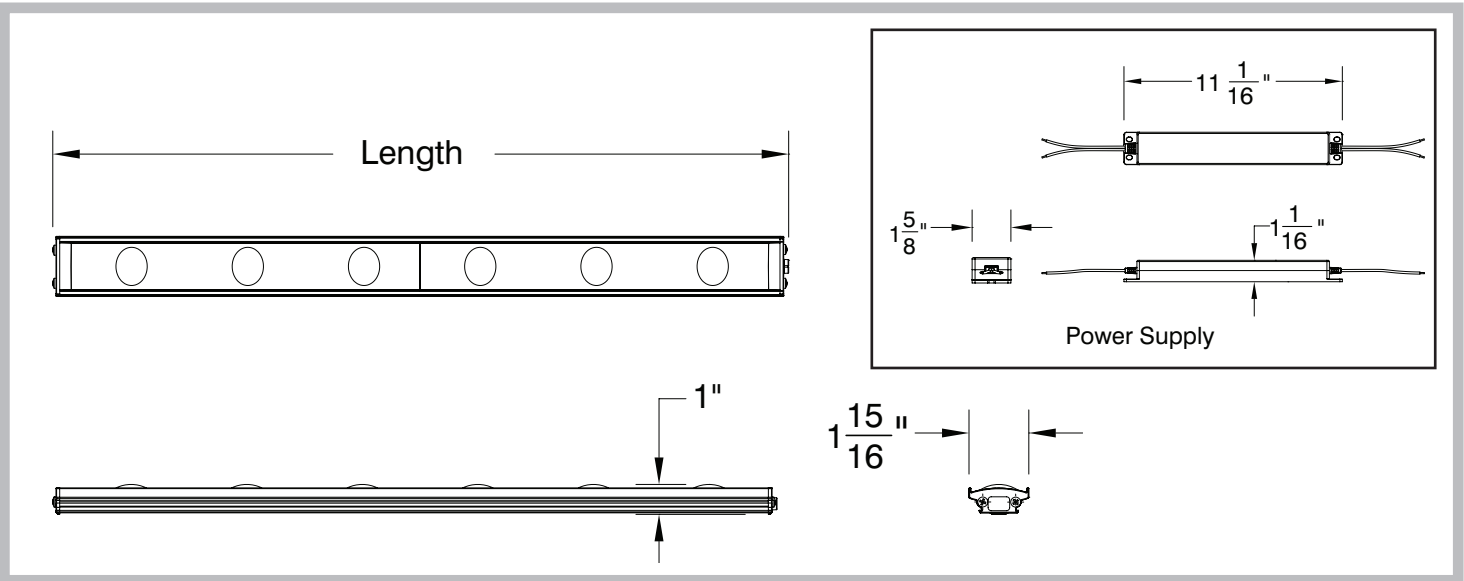


MODEL #	Length (L)	Wt.
LED-B-2	24"	5 lbs.
LED-B-3	36"	6 lbs.
LED-B-4	48"	7 lbs.
LED-B-5	60"	8 lbs.
LED-B-6	72"	9 lbs.

## DETAILS and SPECIFICATIONS

TOL ± .500"

ALL DIMENSIONS ARE TYPICAL





**ADVANCE TABCO**  
SMART FABRICATION™  
www.advancetabco.com

**Customer Service Available To Assist You 1-800-645-3166 8:30 am - 8:00 pm E.S.T.**

For Orders & Customer Service:  
 Email: customer@advancetabco.com or Fax: 631-242-6900

For Smart Fabrication™ Quotes:  
 Email: smartfab@advancetabco.com or Fax: 631-586-2933