



16 GAUGE STAINLESS STEEL

ONE STATION A.D.A. WALL MOUNTED SINK WITH TUBULAR SUPPORTS WITH/WITHOUT MANUAL FAUCETS



Manual Operated Shown
(Faucet Not Included)



"-F" Series Sink Includes
K-161-LU Gooseneck Faucets
with Wrist Handles

Item #: _____ Qty #: _____

Model #: _____

Project #: _____



A.D.A.
COMPLIANT



FEATURES:

- 8 1/2" high backsplash.
- 5" sink bowl depth.
- Two stainless steel "Z" brackets supplied each unit.
- One **K-6** 3 1/2" rear basket drain.
- Two tubular stainless steel support brackets that allow full clearance underneath.
- "-F" Series includes one **K-161-LU** 3 1/2" gooseneck faucet with wrist handles.

CONSTRUCTION:

- All TIG welded.
- Welded areas blended to match adjacent surfaces and to a satin finish.
- Die formed tubular wall brackets.

MATERIAL:

- All 16 gauge type "304" stainless steel.
- 1 5/8" tubular "304" stainless steel wall brackets.
- Stainless steel gussets.

MECHANICAL:

Single faucet hole punch at each station.

| Model # | Length | # of Faucets Sink Accommodates | # of Faucets Included | Wt. | Cu. Ft. |
|---------------|--------|--------------------------------|----------------------------------|---------|---------|
| FC-WM-1-ADA | 40" | 2 | 0 (Faucets Not Included) | 62 lbs. | 15 |
| FC-WM-1-ADA-F | 40" | 2 | 1 (K-161-LU Faucets Included) | 64 lbs. | 15 |

[Click Here For Install Guide](#)



MULTI-STATION ACCESSORIES & REPLACEMENT PARTS

| Model | Description | QTY: |
|----------|---|-------|
| K-6 | 3 1/2" Drain (1 1/2" I.P.S.) | _____ |
| K-13 | Stainless Steel Soap Dispenser (Wall Mount Only) | _____ |
| K-06 | Splash Mount Faucet Mounting Kit | _____ |
| K-101 | 8" Swing Spout Splash Mt. Faucet | _____ |
| K-159 | Splash Mounted 3-1/2" Gooseneck Faucet (8" O.C.) | _____ |
| K-160 | Splash Mounted 6" Swivel Spout Faucet (8" O.C.) | _____ |
| K-411 | Strainer Plate for 3-1/2" Drain | _____ |
| K-1118 | Extra H.D. 8" Splash Mounted Faucet | _____ |
| K-316-LU | Wrist Handles | _____ |
| K-472 | Faucet Hole Revision (Manual Faucet Operated Sinks Only) | _____ |
| K-508 | Special Sizing Charge (Larger Size Cut Down To Smaller Size) | _____ |
| TA-19 | Adjustable Stainless Steel Flanged Bullet Foot | _____ |



K-159



K-160



K-161-LU



K-13



K-06

= Ships UPS

Standard Faucets conform to NSF 61 Standard 9 and compliance to AB 1953 Standards.

WARNING: Equipment that include faucets on this page may contain a chemical known to the State of California to cause cancer, birth defects or other reproductive harm.



Customer Service Available To Assist You **1-800-645-3166** 8:30 am - 7:00 pm E.S.T.

For Orders & Customer Service:

Email: customer@advancetabco.com or Fax: 631-242-6900

For Smart Fabrication™ Quotes:

Email: smartfab@advancetabco.com or Fax: 631-586-2933

REF-JJ

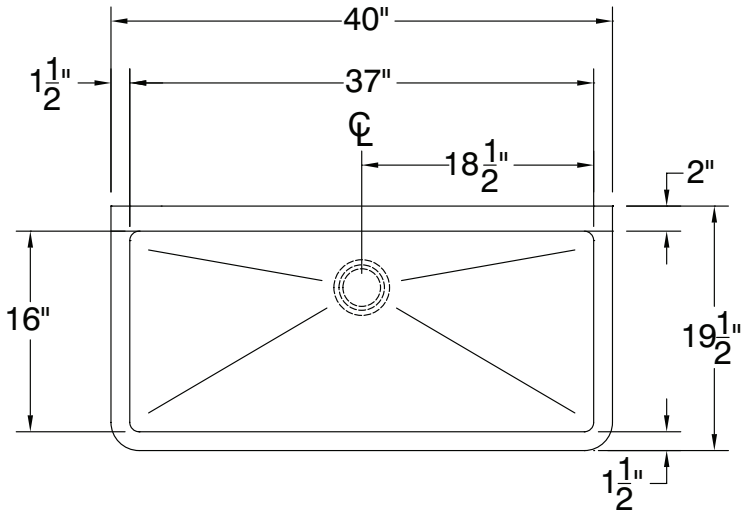
DETAILS and SPECIFICATIONS

TOL ± .500"

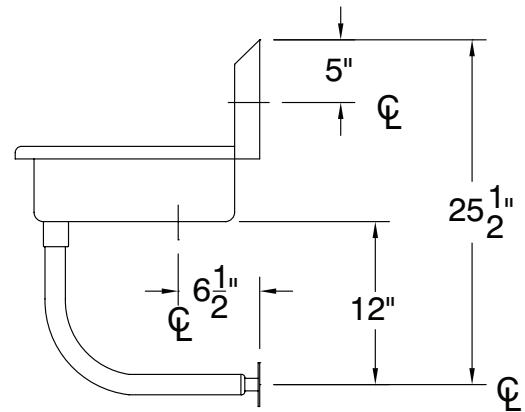
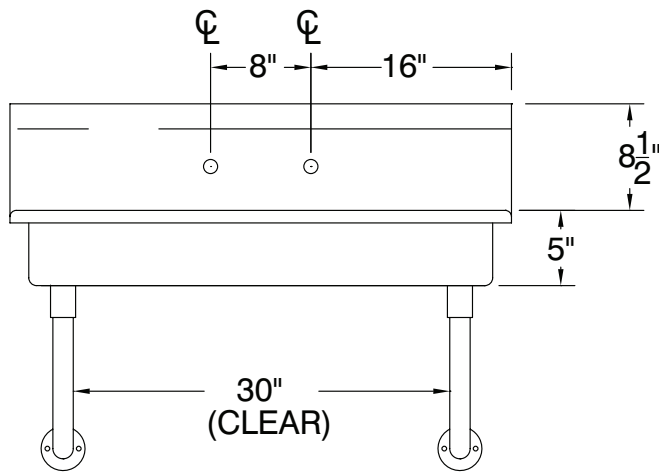
FITTINGS SUPPLIED AS SHOWN

ALL DIMENSIONS ARE TYPICAL

FC-WM-1-ADA



A.D.A.
COMPLIANT



77 Lbs.



REF-JJ

325 Wireless Boulevard, Hauppauge, NY 11788

ADVANCE TABCO is constantly engaged in a program of improving our products. Therefore, we reserve the right to change specifications without prior notice.

© ADVANCE TABCO, JUNE 2020