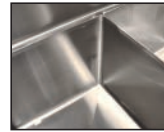




STAINLESS STEEL
FABRICATED SINKS **NSF**

Item #: _____ Qty #: _____
 Model #: _____
 Project #: _____



Fabricated Bowls are Welded Together at the Seams

FEATURES:

- Backsplash has tile edge for ease of installation.
- Sink bowls are 3/4" coved corner and meet NSF requirements.
- Rolled Rim Edge for additional strength.
- Sink Bowls are 14" deep for greater capacity.

CONSTRUCTION:

- All TIG welded.
- Welded areas blended to match adjacent surfaces and to a satin finish.
- Gussets welded to a die-formed reinforced plate.

MATERIAL:

- 1 5/8" diameter stainless steel legs with 1" adjustable stainless steel bullet feet.
- Entire unit is 16 gauge 304 stainless steel.
- Gussets - stainless steel.

MECHANICAL:

- Supply is 1/2" IPS hot & cold.
- Faucet holes on 8" centers.
- Faucets are not included **(see accessories)**.
- Waste drains are 1 1/2" IPS S/S basket type, located in center of sink bowl, and are included.

OPTIONAL:

ADD WELDED CROSS-BRACING:

- FC-SS-1620** - Fits sink with 16" x 20" bowl
- FC-SS-1818** - Fits sink with 18" x 18" bowl
- FC-SS-1824** - Fits sink with 18" x 24" bowl

	Model #	Length L	Width W	Bowl Size A & B	# of Drbds.	Drbd. Location	Approx. Wt.
1 COMP	FCV-1-1620-X	21"	26"	16" x 20"	0	None	50 lbs.
	FCV1-1620-18RorL-X	36 1/2"	26"	16" x 20"	1	Specify	65 lbs.
3 COMP	FCV3-1620-18RLX	84"	26"	16" x 20"	2	R & L	128 lbs.
	FCV3-1818-18RLX	90"	24"	18" x 18"	2	R & L	143 lbs.
	FCV3-1824-18RLX	90"	30"	18" x 24"	2	R & L	265 lbs.



Customer Service Available To Assist You **1-800-645-3166** 8:30 am - 8:00 pm E.S.T.

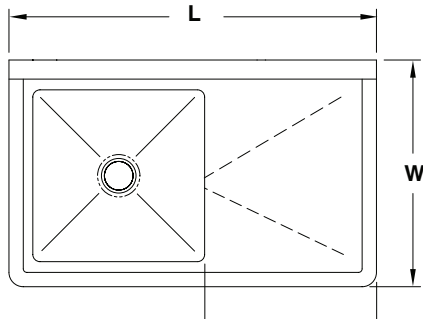
For Orders & Customer Service:
 Email: customer@advancetabco.com or Fax: 631-242-6900

For Smart Fabrication™ Quotes:
 Email: smartfab@advancetabco.com or Fax: 631-586-2933

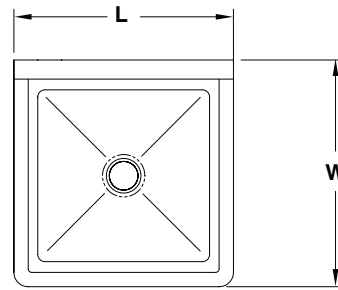
DIMENSIONS and SPECIFICATIONS

TOL Overall: $\pm .500''$
 Interior: $\pm .250''$

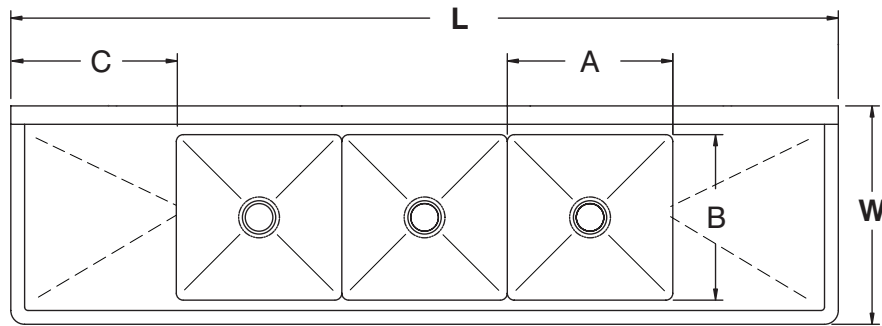
ALL DIMENSIONS ARE TYPICAL



1 COMP - 1 DRBD



1 COMP



3 COMP - 2 DRBD

ACCESSORIES

	Model #	Qty
DRAINS		
FAUCETS		

