

Item #: \_\_\_\_\_ Qty #: \_\_\_\_\_  
 Model #: \_\_\_\_\_  
 Project #: \_\_\_\_\_

## DTA-79

### TABLE MOUNTED TUBULAR, DOUBLE SIDED DESIGN



Recommended for D, G and U-Shaped Series Dishtables Only.

#### FEATURES:

A dual purpose double sided open tubular design table mounted rack shelf with solid end plates

#### CONSTRUCTION:

Stainless steel posts, cross-tubes & end plates  
 Mounts to dishtable with stainless steel bolts. Ships Knocked Down\*  
 Easily assembles with simple tool

#### MATERIAL:

End Plates are 14 gauge type 304 series stainless steel  
 Tubing is 1 5/8" diameter 18 gauge type 300 stainless steel tubing  
**CENTER SUPPORT PROVIDED FOR 9' AND LONGER SHELVES**  
 Center support can be positioned to accommodate rack size

\*Shelf ships separately from table to reduce freight costs and chance of shipping damage. Entire unit may ship pre-assembled from factory where special applications exist. Consult factory.

Per Linear Foot. Minimum Length 48"



**OPTION 1: Lower Angle**  
 (Racks cannot be back to back)



**OPTION 2: Higher Angle**  
 For back to back storage  
 (For maximum rack storage)

When using DTA-79 as a Pass-Thru for a glass rack, use **OPTION 2** (see above). This will allow the rack to pass through the middle (10" Clearance).



#### OPTIONAL 12" Wide Solid Overshelf Model # DTA-80

Mounts above DTA-79  
 (Quantity must be equal to the length of DTA-79)  
 Sold per linear foot

MODEL #	Qty.
DTA-79	

## DTA-79S

### TABLE MOUNTED, DOUBLE SIDED DESIGN WITH SOLID BASE

#### FEATURES:

Table mounted rack shelf with solid base & end plates.  
 Drip tubes for water drainage

#### CONSTRUCTION:

Stainless steel posts, cross-tube (at top along length) & end plates  
 Mounts to dishtable with stainless steel bolts. Ships Knocked Down\*  
 Easily assembles with simple tool

#### MATERIAL:

End Plates and shelf base are 14 gauge type 304 series stainless steel  
 Tubing is 1 5/8" diameter 18 gauge type 300 stainless steel tubing

**CENTER SUPPORT PROVIDED FOR 9' AND LONGER SHELVES**  
 Center support bolts to shelf surface at midpoint

\*Shelf ships separately from table to reduce freight costs and chance of shipping damage. Entire unit may ship pre-assembled from factory where special applications exist. Consult factory.

Per Linear Foot. Minimum Length 48"



#### OPTIONAL 12" Wide Solid Overshelf Model # DTA-80

Mounts above DTA-79  
 (Quantity must be equal to the length of DTA-79)  
 Sold per linear foot

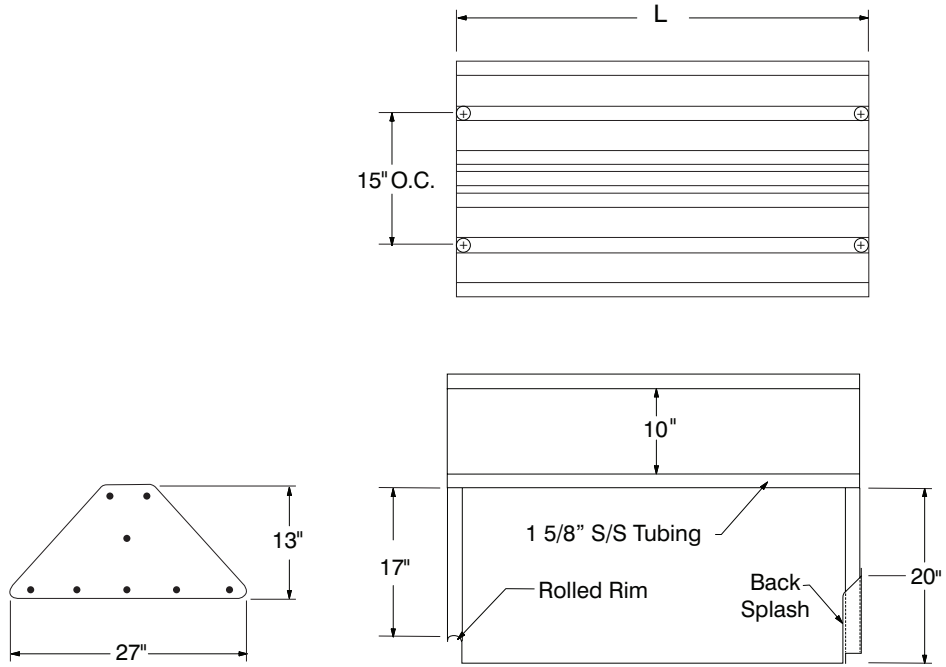
MODEL #	Qty.
DTA-79S	

# DIMENSIONS and SPECIFICATIONS

TOL ± .125"

ALL DIMENSIONS ARE TYPICAL

## DTA-79



## DTA-79S

