



STAINLESS STEEL Ice Bins w/ Cold Plate 18" and 21" Wide Units



SLI Series
18" Wide Units



CRI Series
21" Wide Units

Item #: _____ Qty #: _____
 Model #: _____
 Project #: _____

MATERIAL:

Ice Bin, Front Apron, Backsplash: 22 gauge, 300 stainless steel
Sides: 20 gauge, 430 stainless steel
Understructure: 22 gauge galvaneal front/back; 11 gauge electrogalvaneal leg channel
Legs: 1 5/8" O.D. 18 gauge, galvanized steel with adjustable plastic bullet feet
Ice Bin Insulation: 2 lbs. density styrofoam
Cold Plate: Cast aluminum with 7 circuits (5 syrup and 2 water lines) with 5/16" diameter stainless steel bump and swedge ends.

MECHANICAL:

1" IPS drain - non cold plate bin
 1/2" IPS drain - cold plate bin

NOTE: Bottle Racks Must Be Removed For NSF Compliance & For Use With Optional Cover.

FEATURES:

- Insulated ice bins are 12" or 16" deep.
- 7-Circuit cold plate sealed into the bottom of ice bin.
- 4" backsplash.
- Two removable injection molded 3-pack plastic bottle racks.
- Galvanized legs with adjustable plastic bullet feet.
- Adjustable galvanized side cross-bracing.
- CRI Series** has rear deck for extra storage.

18" WIDE Model #	Approx. Weight	Approx. Cu. Ft.	21" WIDE Model #	Approx. Weight	Approx. Cu. Ft.	O.A. Length (A)	Dist. To Drain (B)	Ice Bin Depth (C)	O.A. Height of Bin (D)	O.A. Leg Height (E)	Ice Bin Capacity
7-CIRCUIT COLD PLATE UNITS											
SLI-12-24-7	88 lbs.	7	CRI-12-24-7	93 lbs.	8	24"	12"	12" DEEP	14"	14"	77 lbs.
SLI-12-30-7	92 lbs.	11	CRI-12-30-7	95 lbs.	11	30"	15"		14"	14"	98 lbs.
SLI-12-36-7	98 lbs.	13	CRI-12-36-7	102 lbs.	13	36"	18"		14"	14"	119 lbs.
SLI-12-42-7	105 lbs.	13	CRI-12-42-7	108 lbs.	13	42"	21"		14"	14"	140 lbs.
SLI-12-48-7	110 lbs.	14	CRI-12-48-7	119 lbs.	14	48"	24"		14"	14"	161 lbs.
SLI-16-24-7	96 lbs.	7	CRI-16-24-7	103 lbs.	8	24"	12"	16" DEEP	18"	10"	100 lbs.
SLI-16-30-7	104 lbs.	12	CRI-16-30-7	115 lbs.	12	30"	15"		18"	10"	127 lbs.
SLI-16-36-7	112 lbs.	16	CRI-16-36-7	120 lbs.	17	36"	18"		18"	10"	155 lbs.
10-CIRCUIT COLD PLATE UNITS											
SLI-12-30-10	132 lbs.	11	CRI-12-30-10	141 lbs.	11	30"	15"	12" DEEP	14"	14"	98 lbs.
SLI-12-36-10	140 lbs.	13	CRI-12-36-10	149 lbs.	13	36"	18"		14"	14"	119 lbs.
SLI-12-42-10	144 lbs.	13	CRI-12-42-10	153 lbs.	13	42"	21"		14"	14"	140 lbs.
SLI-12-48-10	159 lbs.	14	CRI-12-48-10	168 lbs.	14	48"	24"		14"	14"	161 lbs.
SLI-16-30-10	104 lbs.	12	CRI-16-30-10	115 lbs.	12	30"	15"	16" DEEP	18"	10"	127 lbs.
SLI-16-36-10	112 lbs.	16	CRI-16-36-10	120 lbs.	17	36"	18"		18"	10"	155 lbs.

OPTIONAL:

- SSC-12** - Sliding cover for 12" ice bin
- SSC-24** - Sliding cover for 24" ice bin
- SSC-30** - Sliding cover for 30" ice bin
- SSC-36** - Sliding cover for 36" ice bin
- SSC-42** - Sliding cover for 42" ice bin
- SSC-48** - Sliding cover for 48" ice bin



Optional Sliding Stainless Steel Cover Shown



Customer Service Available To Assist You 1-800-645-3166 8:30 am - 8:00 pm E.S.T.

For Orders & Customer Service:

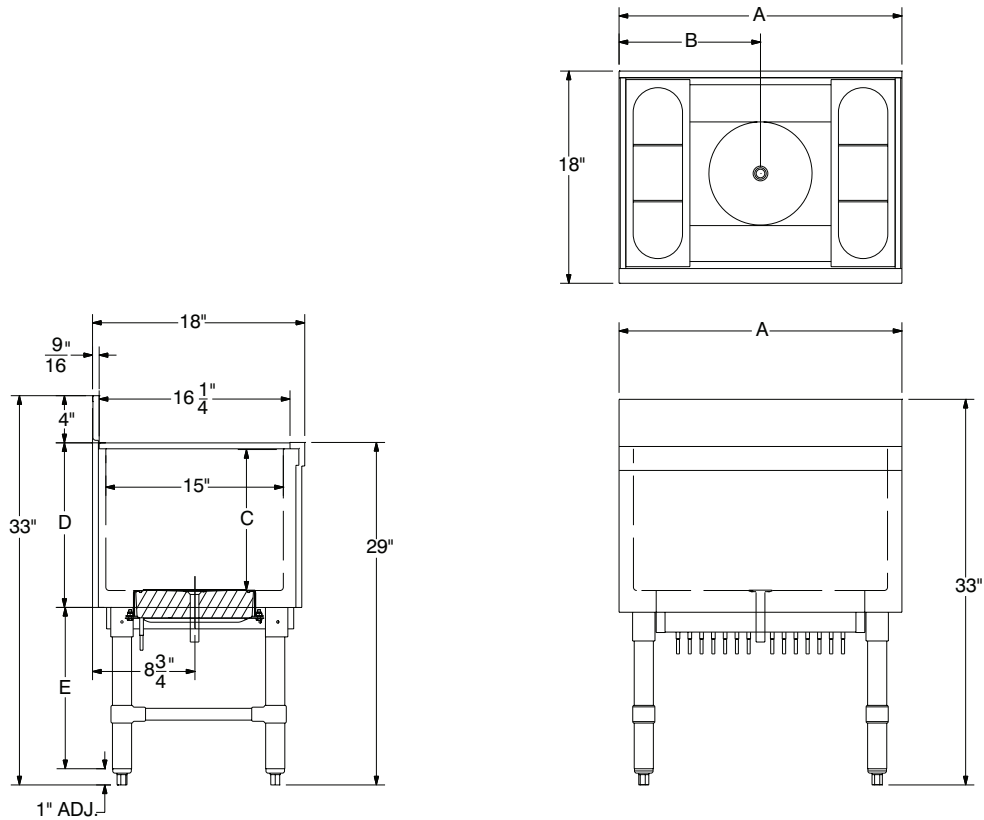
Email: customer@advancetabco.com or Fax: 631-242-6900

For Smart Fabrication™ Quotes:

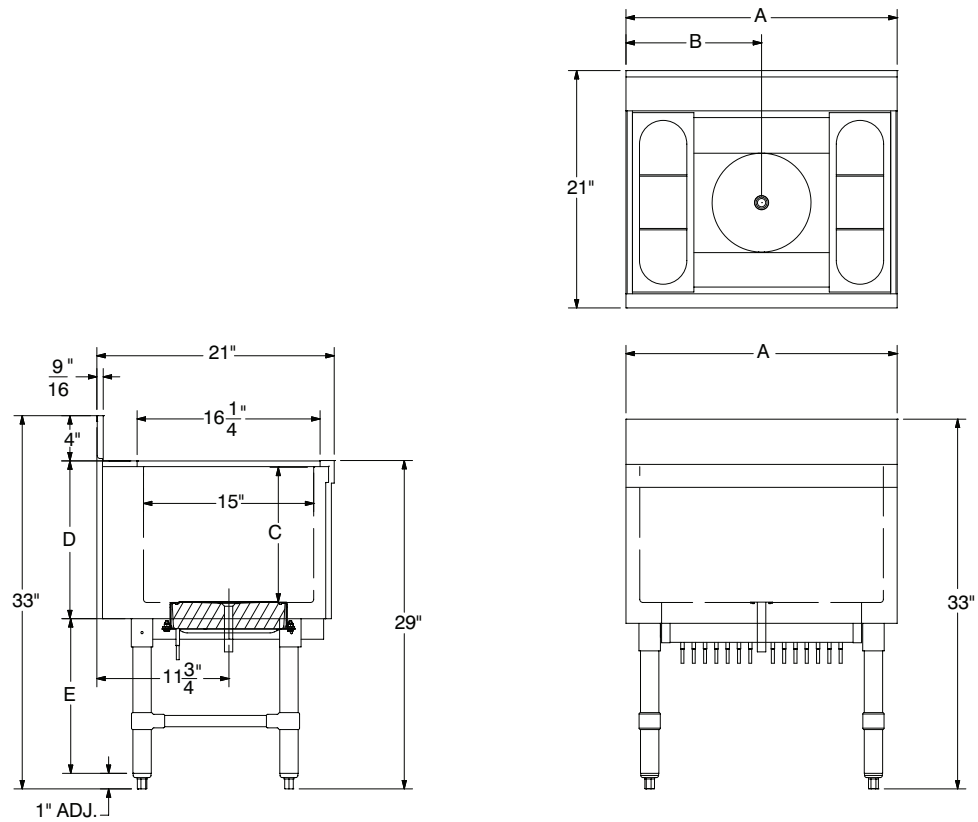
Email: smartfab@advancetabco.com or Fax: 631-586-2933

DIMENSIONS and SPECIFICATIONS

SLI-7 Series



CRI-7 Series CRI-10 Series



ADVANCE TABCO is constantly engaged in a program of improving our products. Therefore, we reserve the right to change specifications without prior notice.

© ADVANCE TABCO, DECEMBER 2016