



# **INSTALLATION & OPERATION MANUAL HEAVY DUTY ELECTRIC GRIDDLES**

## **MODELS**



**HEG36E**

HEG24E  
HEG36E  
HEG48E  
HEG60E  
HEG72E



**WEG36E**

WEG24E  
WEG36E  
WEG48E  
WEG60E  
WEG72E

For additional information on Vulcan or to locate an authorized parts and service provider in your area, visit our website at [www.vulcanequipment.com](http://www.vulcanequipment.com)

# TABLE OF CONTENTS

INSTALLATION.....	3
Installation Codes And Standards.....	3
Unpacking.....	3
Leg Assembly.....	4
Leveling.....	4
Location.....	4
Electrical Connections.....	4
Phase Wiring Connections.....	5
Electrical Data.....	6
OPERATION.....	6
Before First Use.....	6
Seasoning The Griddle.....	7
Controls.....	7
Using The Griddle.....	7
Zone Cooking.....	8
Cleaning The Griddle.....	9
HEG And WEG Griddle Plate.....	9
SHUTDOWN .....	10
EXTENDED SHUTDOWN .....	10
MAINTENANCE.....	10
Service And Parts Information.....	10
TROUBLESHOOTING.....	11
ACCESSORY INSTALLATION.....	12

# INSTALLATION, OPERATION AND CARE OF HEAVY DUTY ELECTRIC GRIDDLES

## GENERAL

Heavy Duty Electric Griddles are produced with quality workmanship and materials. Proper installation, usage and maintenance of your griddle will result in many years of satisfactory performance. Thoroughly read this entire manual and carefully follow all of the instructions provided.

## INSTALLATION

Before installing, check the electrical service to make sure it agrees with the specifications on the rating plate. If the supply and equipment voltages do not agree, do not proceed with the installation. Contact your dealer or Vulcan immediately.

### INSTALLATION CODES AND STANDARDS

Your Vulcan griddle must be installed in accordance with:

In the United States of America:

1. State and local codes
2. National Electrical Code ANSI/NFPA – 70 (latest edition) available from The National Fire Protection Association, 1 Batterymarch Park, Quincy, MA 02269.
3. NFPA Standard #96 Vapor Removal from Cooking Equipment, (latest edition) available From the National Fire Protection Association, Batterymarch Park, Quincy, MA 02269.

In Canada:

1. Local code
2. Canadian Electrical Code C22.1 Part 1 (latest edition) available from the Canadian Standard Association, 5060 Spectrum Way, Suite 100, Mississauga, Ontario, Canada, L4W 5N6.

### UNPACKING

This griddle was inspected before leaving the factory. The carrier assumes full responsibility for the safe delivery upon acceptance of the shipment. Check for possible shipping damage immediately after receipt.

If the griddle is found to be damaged, complete the following steps:

1. Carrier must be notified within 5 business days of receipt.
2. Carrier's local terminal must be notified immediately upon discovery (note time, date, and who was spoken to), and follow up and confirm with written or electronic communication.
3. All original packing materials must be kept for inspection purposes.
4. The griddle cannot have been moved, installed, or modified.
5. Notify Vulcan Customer Service immediately at 800-814-2028.

## LEG ASSEMBLY

Attach the legs to the body by threading the exposed leg stud into the threaded holes located on the underside of the unit. Tighten each leg so that the top face of the leg is pressed firmly against the body bottom. Do not operate griddle without legs or integrated stand as damage will occur.

## LEVELING

Position the griddle in the desired location. Level the griddle by using a wrench to turn the adjustable feet. You must hold the leg while turning the foot so that it's attachment to the griddle is not loosened.

## LOCATION

The installation location must be kept free and clear of combustibles. Do not permit air to blow directly at the griddle. Avoid open windows next to the griddle wherever possible. Avoid wall-type fans which create air cross-currents within the room.

This griddle is Design Certified for installation on a non-combustible counter with 4" legs, or combustible floor with 24" high stand.

## INSTALLATION CLEARANCES

	COMBUSTIBLE CONSTRUCTION	NON-COMBUSTIBLE CONSTRUCTION
Back:	1"	0"
Right	1"	0"
Left Side	1"	0"

## ELECTRICAL CONNECTIONS

**▲ WARNING** Electrical and grounding connections must comply with the applicable portions of the National Electrical Code and/or other local electrical codes.

**▲ WARNING** Disconnect the electrical power to the griddle and follow lockout / tagout procedures.

### Electrical Connections

1. Remove the junction box cover plate(s) at the back of the unit. This exposes the built-in junction boxes and griddle line leads.
2. Select a suitable knockout on the rear or bottom of the junction box.
3. Connect the griddle's line leads to the supply wires with factory supplied wire connectors as shown in the applicable wiring instructions. Do not disturb the internal griddle wiring.
4. Push the excess wire into the junction box and replace the cover plate. Never operate the griddle without the junction box covers in place.

**NOTICE** Since the griddle is not fused, you must connect it to a fused circuit equipped with a suitable disconnecting means as required by local authorities.

## Phase Wiring Connections

### HEG24E/WEG24E

208,240 & 480 VAC 3-PHASE WIRING CONNECTIONS:

1. CONNECT WIRE #5 TO "L1"
2. CONNECT WIRE #6 & #11 TO "L2"
3. CONNECT WIRE #10 TO "L3"

208 & 240 VAC 1-PHASE WIRING CONNECTIONS:

1. CONNECT WIRE #5 & #10 TO "L1"
2. CONNECT WIRE #6 & #11 TO "L2"

---

### HEG36E/WEG36E

208,240 & 480 VAC 3-PHASE WIRING CONNECTIONS:

1. CONNECT WIRE #10 TO "L1"
2. CONNECT WIRE #11 TO "L2"
3. CONNECT WIRE #5 & #6 TO "L3"

208 & 240 VAC 1-PHASE WIRING CONNECTIONS:

1. CONNECT WIRE #5 & #10 TO "L1"
2. CONNECT WIRE #6 & #11 TO "L2"

---

### HEG48E/WEG48E

208,240 & 480 VAC 3-PHASE WIRING CONNECTIONS:

1. CONNECT WIRE #10 & #11 TO "L1"
2. CONNECT WIRE #8, #9 & #13 TO "L2"
3. CONNECT WIRE #12 TO "L3"

208 & 240 VAC 1-PHASE WIRING CONNECTIONS:

1. CONNECT WIRE #8, #12 & #13 TO "L1"
2. CONNECT WIRE #9, #10 & #11 TO "L2"

### HEG60E/WEG60E

208,240 & 480 VAC 3-PHASE WIRING CONNECTIONS:

#### LEFT JUNCTION BOX

1. CONNECT WIRE #18 TO "L1"
2. CONNECT WIRE #16 TO "L2"
3. CONNECT WIRE #15 TO "L3"

#### RIGHT JUNCTION BOX

1. CONNECT WIRE #8 & #10 TO "L1"
2. CONNECT WIRE #17 TO "L2"
3. CONNECT WIRE #12 TO "L3"

208 & 240 VAC 1-PHASE WIRING CONNECTIONS:

#### LEFT JUNCTION BOX

1. CONNECT WIRE #15 & #16 TO "L1"
2. CONNECT WIRE #18 TO "L2"

#### RIGHT JUNCTION BOX

1. CONNECT WIRE #10 & #12 TO "L1"
2. CONNECT WIRE #8 & #17 TO "L2"

---

### HEG72E/WEG72E

208,240 & 480 VAC 3-PHASE WIRING CONNECTIONS:

#### LEFT JUNCTION BOX

1. CONNECT WIRE #16 & #11 TO "L1"
2. CONNECT WIRE #15 TO "L2"
3. CONNECT WIRE #18 TO "L3"

#### RIGHT JUNCTION BOX

1. CONNECT WIRE #8 & #10 TO "L1"
2. CONNECT WIRE #17 TO "L2"
3. CONNECT WIRE #19 TO "L3"

208 & 240 VAC 1-PHASE WIRING CONNECTIONS:

#### LEFT JUNCTION BOX

1. CONNECT WIRE #11 & #18 TO "L1"
2. CONNECT WIRE #16 & #15 TO "L2"

#### RIGHT JUNCTION BOX

1. CONNECT WIRE #10 & #19 TO "L1"
2. CONNECT WIRE #8 & #17 TO "L2"

## Electrical Data

STANDARD VOLTAGES-208 VOLTS OR 240 VOLTS 50/60 Hz.-SINGLE OR THREE PHASE 480 VOLTS 50/60 Hz.-THREE PHASE ONLY																
MODEL NUMBER	TOTAL CONN. KW	TOTAL KW PER CONN	3 PHASE LOADING			NOMINAL AMPS PER LINE WIRE CONN.										
			KW PER PHASE			3 PHASE									1 PHASE	
			PER CONN.*			208 VOLT			240 VOLT			480 VOLT			208	240
			X-Y	Y-Z	X-Z	X	Y	Z	X	Y	Z	X	Y	Z	VOLT	VOLT
HEG24E/WEG24E	10.8	10.8	5.4	5.4	0.0	22.5	45.0	22.5	19.5	39.0	19.5	9.7	19.5	9.7	51.9	45.0
HEG36E/WEG36E	16.2	16.2	5.4	5.4	5.4	45.0	45.0	45.0	39.0	39.0	39.0	19.5	19.5	19.5	77.9	67.5
HEG48E/WEG48E	21.6	21.6	10.8	5.4	5.4	67.4	67.4	45.0	58.5	58.5	39.0	29.2	29.2	19.5	103.8	90.0
HEG60E/WEG60E**	27.0	16.2	5.4	5.4	5.4	45.0	45.0	45.0	39.0	39.0	39.0	19.5	19.5	19.5	77.9	67.5
		10.8	5.4	0.0	5.4	45.0	22.5	22.5	39.0	19.5	19.5	19.5	9.7	9.7	51.9	45.0
HEG72E/WEG72E*	32.4	16.2	5.4	5.4	5.4	45.0	45.0	45.0	39.0	39.0	39.0	19.5	19.5	19.5	77.9	67.5
		16.2	5.4	5.4	5.4	45.0	45.0	45.0	39.0	39.0	39.0	19.5	19.5	19.5	77.9	67.5

\*NOTE: Two separate conduit connections must be made: each connection carries one-half of the rated load.

\*\*NOTE: Two separate conduit connections must be made: one connection carries 16.2 KW, the other connection carries 10.8 KW.

## OPERATION

**⚠ WARNING** The griddle and its parts are hot. Use care when operating, cleaning or servicing the griddle.

**⚠ WARNING** Disconnect power supply and follow lockout / tagout procedures before cleaning and servicing the appliance.

### BEFORE FIRST USE

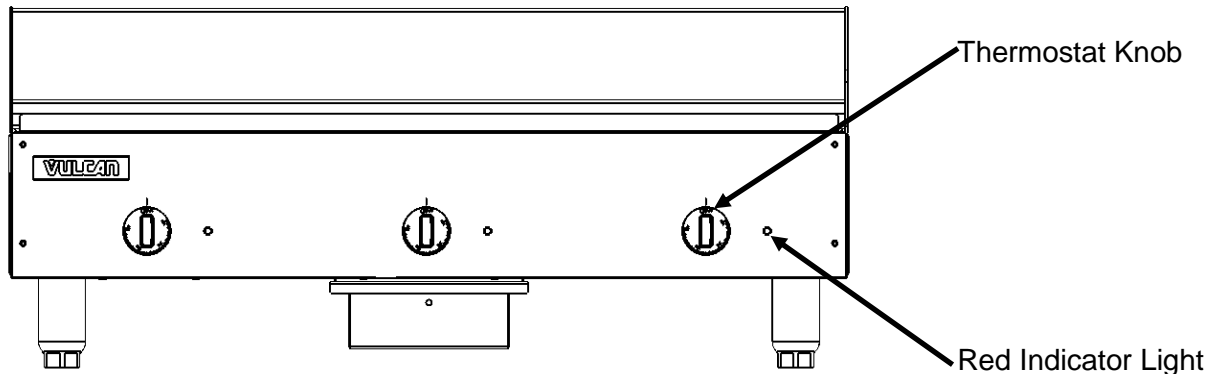
Remove all packing material and protective plastic from the surfaces of the unit. Before leaving the factory the griddle cooking surface is coated with vegetable oil as a rust inhibitor. Remove this film when the griddle plate is being cleaned prior to its first cooking use. Heat the griddle to 200-300°F to loosen and melt the coating, then clean the surface by adding water or a non-corrosive, grease dissolving commercial cleaner, following the manufacturer's directions. Scrape the oil residue from the plate with a griddle scraper. Rinse thoroughly and wipe dry with a soft clean cloth. Clean all accessories.

## SEASONING THE GRIDDLE

Season the griddle to avoid possible surface corrosion before first use, and after every cleaning. This will also help reduce the sticking of cooked food product. Heat griddle to a low temperature (300-350°F) and apply a small amount of cooking oil – about one ounce per square foot of surface. Use a soft lint-free cloth to spread the oil over the entire griddle surface to create a thin film. Wipe off any excess oil with a cloth. Repeat the procedure until the griddle has a slick, mirror-like finish.

## CONTROLS

Each thermostat independently controls a 12” wide griddle section. When each thermostat is turned ON, the corresponding red indicator light will illuminate to indicate that the elements are on for that section. When the griddle plate reaches the desired temperature set point, the elements will be turned off for that section and the indicator light will go off. Indicator lights will cycle off and on as the thermostats turn the corresponding heating elements off and on to maintain the set temperatures. At the end of each day, you must turn all thermostat knobs to the OFF position to turn off the unit.



## USING THE GRIDDLE

To preheat, set the thermostats for the desired temperatures 20 minutes before cooking.

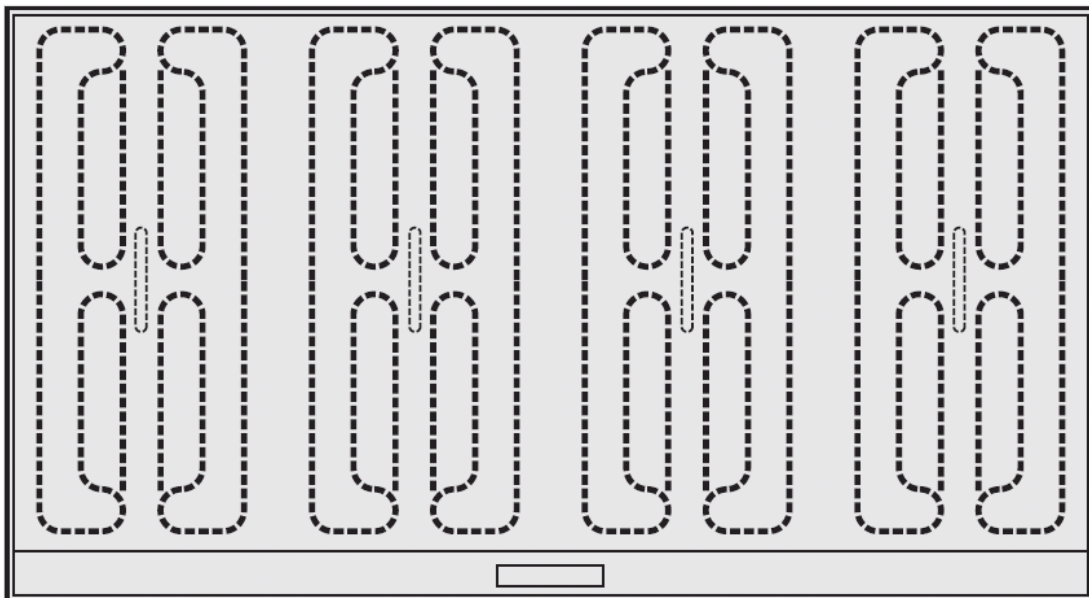
A uniform and systematic approach to loading the griddle will produce the most consistent product results.

## ZONE COOKING

This griddle features two tubular heating elements in each 12” section. Each section is controlled by an independent thermostat. Each 12” section is a separate cooking zone, and allows cooking a wide variety of products over a single griddle plate. The chart below is a suggested usage of zone cooking.

When zone cooking, it is suggested that you start with your lowest temperature setting at either side of the griddle, increasing the zone temperature as you move up the zone line. These zone cooking guidelines will vary depending on product temperatures, size and shape. This guide should be adjusted to suit your product and operational cooking preference.

HEG48E/WEG48E



<b>ZONE 1 (300°F)</b>	<b>ZONE 2 (350°F)</b>	<b>ZONE 3 (350°F)</b>	<b>ZONE 4 (400°F)</b>
<b>PRODUCT</b> Sausage Eggs (Hard Fried) Eggs (Scrambled) Burger (Well Done) Steak (Well Done) Chicken Breast Frozen Foods Pork Chops	<b>PRODUCT</b> Pancakes French Toast Bacon Eggs (Sunny Side Up) Boiled Ham Steak (Medium Well) Fresh Burger (Medium Well) Small Frozen Burger (Medium Well) Omelet Hash Browns Canadian Bacon		<b>PRODUCT</b> Steak (Rare) Stir Fry Vegetables Salmon Fish Cakes Lobster Scampi



## **CLEANING THE GRIDDLE**

**⚠ WARNING** The griddle and its parts are hot. Use care when operating, cleaning or servicing the griddle.

Clean the griddle regularly. A clean griddle always looks better, lasts longer and performs better. To produce evenly cooked, perfectly browned griddle products keep the griddle plate clean and free of carbonized grease. Carbonized grease on the surface hinders the transfer of heat from the griddle surface to the food, resulting in spotty browning and loss of cooking efficiency. Carbonized grease tends to cling to griddle foods, giving them a highly unsatisfactory and unappetizing appearance.

**NOTICE** Do not use a water-jet to clean the griddle as this can cause damage to internal electrical components.

The standard HEG and WEG griddle plates are carbon steel, but can be scored or dented by careless use of a spatula or scraper. Be careful not to dent, scratch, or gouge the plate surface. Do not try to knock off loose food that may be on the spatula by tapping the corner or the edge of the spatula on the griddle surface.

Clean the griddle surface thoroughly. Use a griddle stone, screen, or Scotch Bright™ pad on the surface as necessary. Rub with the grain of the metal while the griddle is still warm (not hot). A detergent may be used on the plate surface to help clean it, but be sure the detergent is thoroughly removed by flushing with clear water. After removal of detergent the surface of the plate the griddle should be seasoned according to the instructions in this manual.

### **AFTER EACH USE**

Clean the griddle with a griddle scraper during the work shift. Take care not to vigorously strike the back or side splashes with the scraper.

### **ONCE PER DAY**

Thoroughly clean the griddle back splash, sides and front. Turn the griddle off and allow it to cool down between 275°F-300°F, apply some water to the cooking surface and clean it with a griddle scraper. Remove, empty and wash the grease drawer in the same manner as an ordinary cooking utensil.

Wipe the griddle exterior clean with a damp cloth to prevent grease accumulation and dry.

## ONCE PER WEEK

Clean the griddle cooking surface thoroughly. A detergent may be used on the plate surface to help clean it, but be sure the detergent is thoroughly removed by flushing with clear water.

After removal of detergent the surface of the plate the griddle should be seasoned according to the instructions in this manual.

Clean stainless steel surfaces with a damp cloth and polish with a soft dry cloth. To remove discoloration, use a griddle cleaner.

If the griddle usage is very high, consider conducting this weekly cleaning procedure more than once per week.

## SHUTDOWN OF GRIDDLE

1. Turn all thermostats to the OFF position. This will shut down the griddle completely.

## EXTENDED SHUTDOWN

1. Turn all thermostats to the OFF position.
2. Shut off the main electrical supply.
3. Apply a heavy coat of vegetable oil over the griddle plate to inhibit rust.

# MAINTENANCE

**⚠ WARNING** The griddle and its parts are hot. Use care when operating, cleaning or servicing the griddle.

**⚠ WARNING** Disconnect power supply and follow lockout / tagout procedures before cleaning and servicing the appliance.

## LUBRICATION

There are no parts on this unit that require lubrication.

## SERVICE AND PARTS INFORMATION

Contact the Service Contractor in your area to obtain service and parts information. For a complete listing of Service and Parts depots refer to or [www.vulcanequipment.com](http://www.vulcanequipment.com)

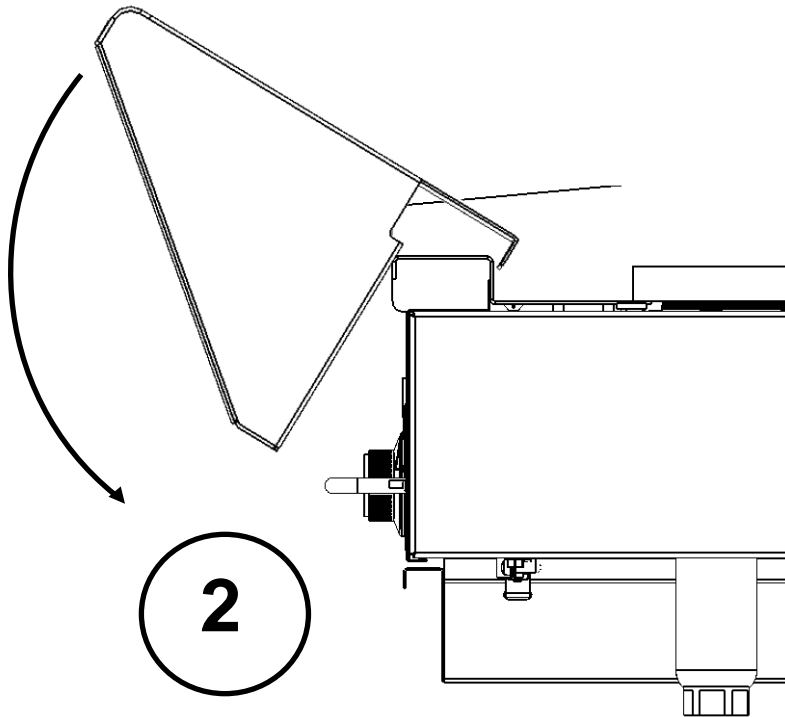
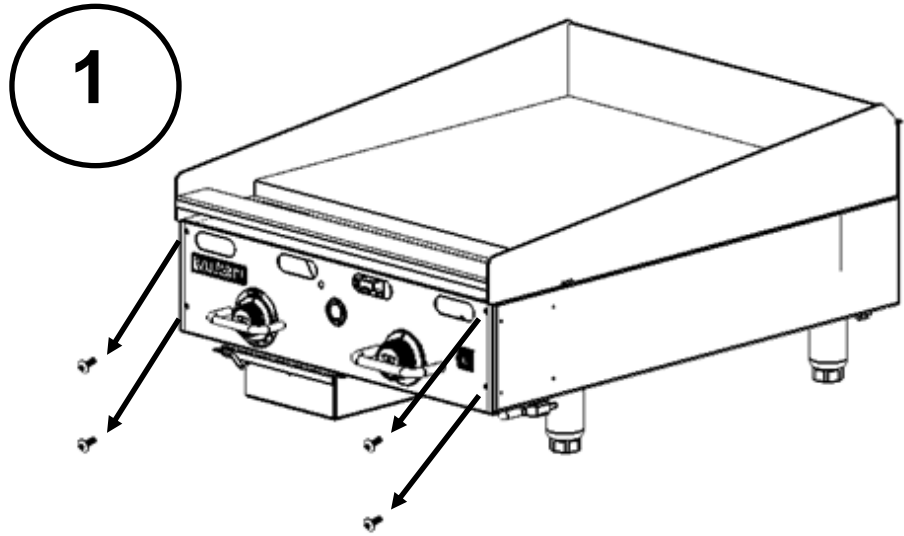
When calling for service the following information should be available from the appliance serial plate: Model Number, Serial Number and voltage.

# TROUBLESHOOTING

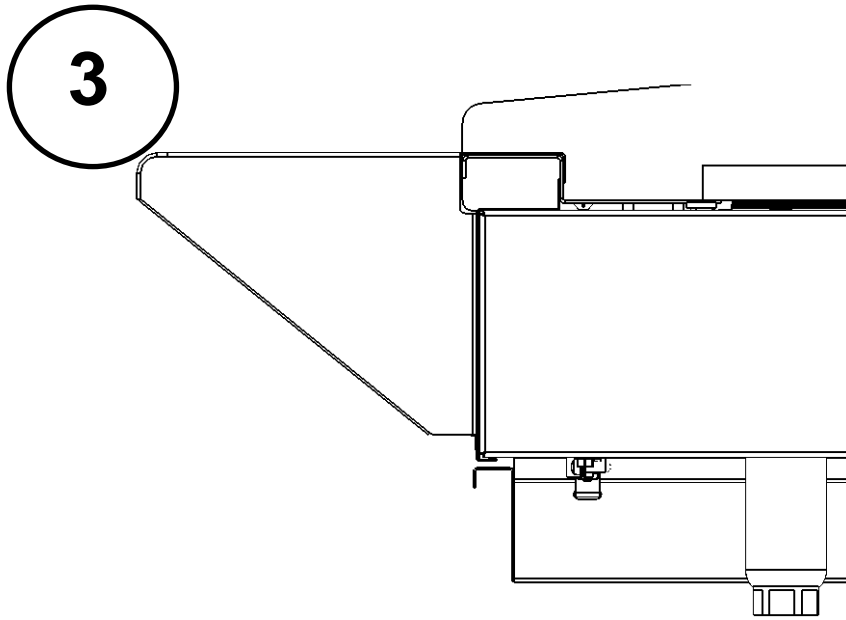
PROBLEM	POSSIBLE CAUSES
Heat does not come on when the temperature controller is turned on	<ol style="list-style-type: none"> <li>1. Problem with thermostats. (Call for service)</li> <li>2. Problem with heating elements. (Call for service)</li> <li>3. Main power supply disconnected. (Call for service)</li> </ol>
Fat appears to smoke excessively	<ol style="list-style-type: none"> <li>1. Temperature set too high.</li> <li>2. Moisture in food may be turning into steam</li> </ol>
Food sticks to griddle or burned around edges or contains dark specs	<ol style="list-style-type: none"> <li>1. Temperature set too high.</li> <li>2. Griddle surface requires cleaning and/or seasoning.</li> <li>3. Surface under food not covered with enough cooking oil.</li> </ol>
Food under-cooked inside	<ol style="list-style-type: none"> <li>1. Temperature set too low.</li> <li>2. Food not cooked for long enough time.</li> </ol>
Food tastes greasy or has objectionable off-flavor	<ol style="list-style-type: none"> <li>1. Food itself may have off-flavor.</li> <li>2. Food stored improperly before cooking.</li> <li>3. Too much griddle fat used.</li> <li>4. Temperature set too low.</li> </ol>
Noticeable build-up of gum on griddle	<ol style="list-style-type: none"> <li>1. Temperature set too high.</li> <li>2. Griddle surface needs cleaning and/or seasoning.</li> <li>3. Too much griddle fat used.</li> </ol>

# ACCESSORY INSTALLATION

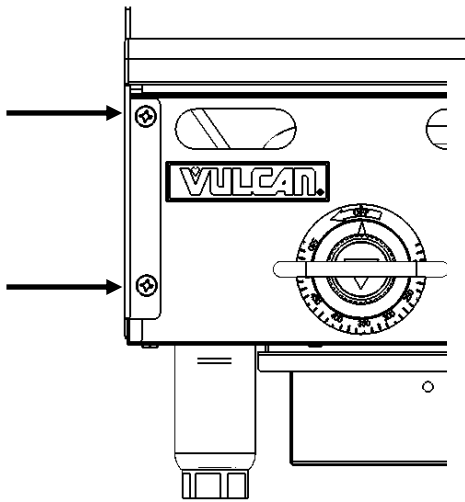
**⚠ WARNING** The griddle and its parts are hot. Use care when operating, cleaning or servicing the griddle.



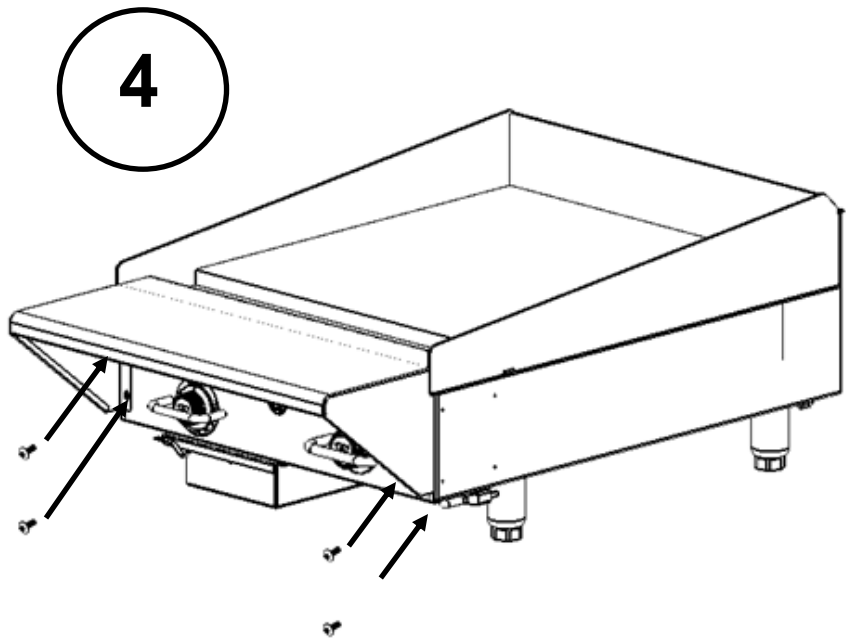
**SIDE VIEW**



**SIDE VIEW**

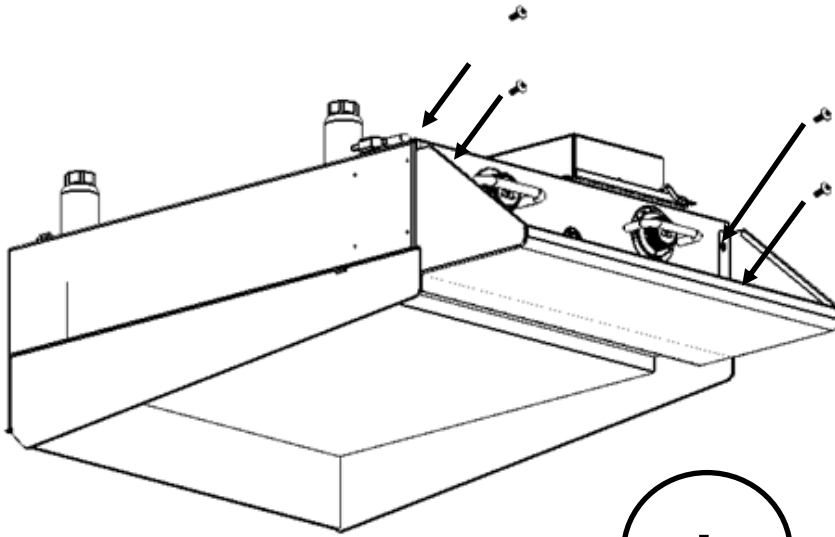


**FRONT VIEW**



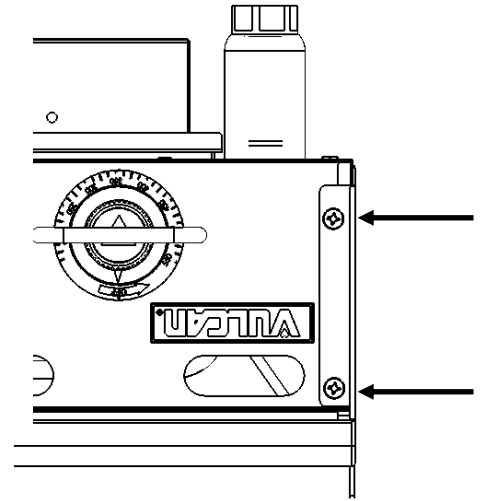
# NOTES

**REMARQUES :**

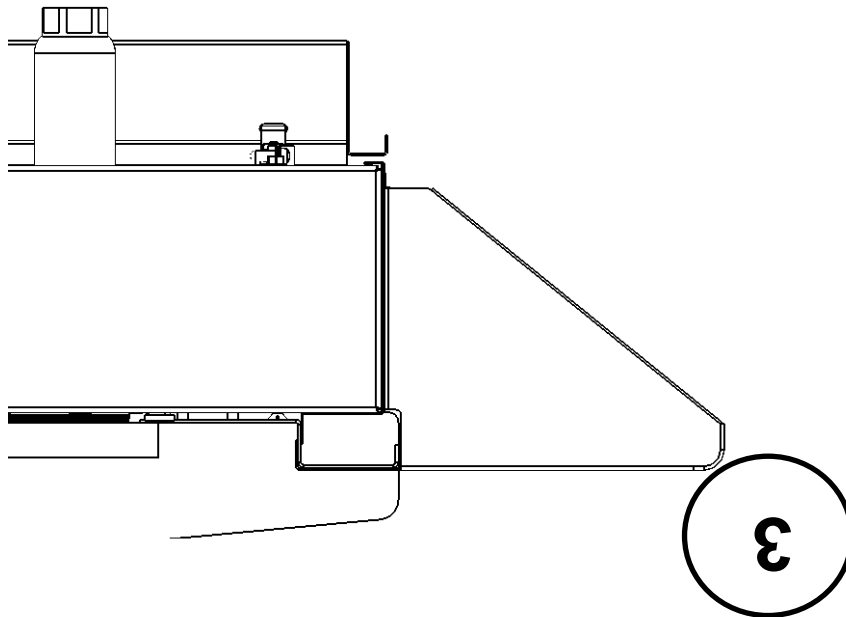


4

VUE AVANT



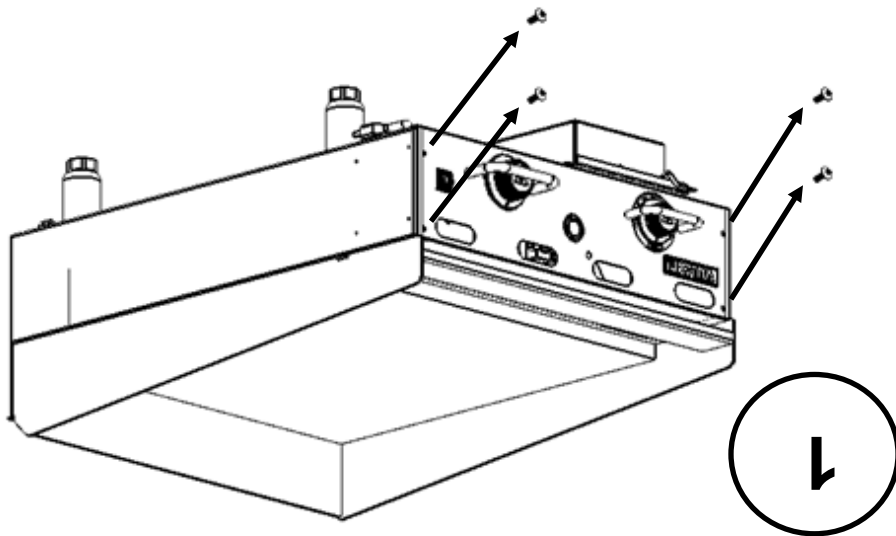
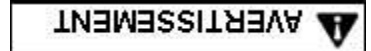
VUE DE CÔTÉ



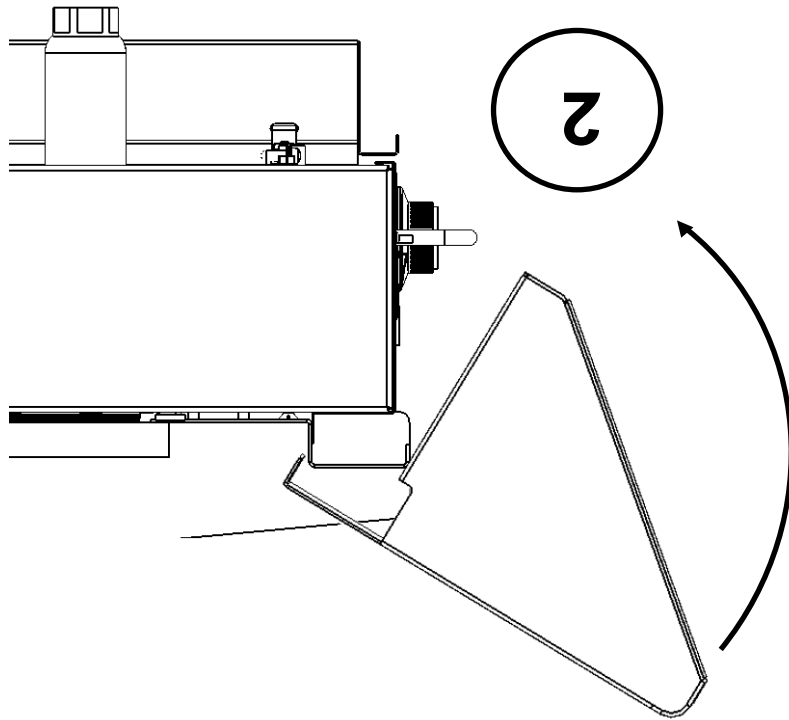


## INSTALLATION DES ACCESSOIRES

La plaque chauffante et ses pièces sont chaudes. Soyez prudent lors de l'utilisation, du nettoyage et de l'entretien de la plaque chauffante.



### VUE DE CÔTÉ



# DÉPANNAGE

CAUSES POSSIBLES	PROBLÈME
<ol style="list-style-type: none"> <li>1. Problème avec les thermostats. (contactez votre représentant de service)</li> <li>2. Problème avec les éléments chauffants. (contactez votre représentant de service)</li> <li>3. Alimentation principale débranchée. (contactez votre représentant de service)</li> </ol>	<p>Aucune chaleur n'est émise lorsque le régulateur de température est mis en position de marche</p>
<ol style="list-style-type: none"> <li>1. Le réglage de la température est trop élevé.</li> <li>2. L'humidité dans les aliments peut se transformer en vapeur</li> </ol>	<p>La graisse semble dégager de la fumée de façon excessive.</p>
<ol style="list-style-type: none"> <li>1. La température est réglée trop haut</li> <li>2. La surface de la plaque chauffante nécessite un nettoyage et/ou un conditionnement.</li> <li>3. La surface sous les aliments n'est pas suffisamment recouverte d'huile de cuisson.</li> </ol>	<p>Les aliments collent à la plaque chauffante ou brûlent sur les bords ou contiennent des particules foncées</p>
<ol style="list-style-type: none"> <li>1. La température est réglée trop bas.</li> <li>2. Les aliments ne sont pas cuits assez longtemps.</li> </ol>	<p>L'intérieur des aliments n'est pas bien cuit.</p>
<ol style="list-style-type: none"> <li>1. Les aliments eux-mêmes peuvent avoir une saveur désagréable.</li> <li>2. La nourriture a été mal entreposée avant la cuisson.</li> <li>3. Usage d'une quantité excessive de graisse sur la plaque chauffante.</li> <li>4. La température est réglée trop bas.</li> </ol>	<p>Les aliments goûtent le gras ou ont une saveur désagréable.</p>
<ol style="list-style-type: none"> <li>1. La température est réglée trop haut.</li> <li>2. La surface de la plaque chauffante nécessite un nettoyage et/ou un conditionnement.</li> <li>3. Usage d'une quantité excessive de graisse sur la plaque chauffante.</li> </ol>	<p>Accumulation perceptible de gomme sur la plaque chauffante.</p>

**UNE FOIS PAR SEMAINE**

Nettoyez soigneusement la surface de cuisson de la plaque chauffante. Un détergent peut être utilisé sur la surface de la plaque pour faciliter le nettoyage, mais assurez-vous que le détergent est soigneusement retiré en rinçant à l'eau claire.

Après l'enlèvement du détergent de la surface de la plaque, celle-ci devrait être conditionnée selon les directives de ce manuel.

Nettoyez les surfaces en acier inoxydable avec un chiffon humide et polissez avec un chiffon sec et doux. Pour enlever la décoloration, utilisez un nettoyant à plaque chauffante.

Si l'utilisation de la plaque chauffante est intensive, envisagez d'effectuer cette procédure de nettoyage plus d'une fois par semaine.

### **ARRÊT DE LA PLAQUE CHAUFFANTE**

1. Placez tous les thermostats la position d'arrêt ("OFF"). Cela éteindra complètement la plaque chauffante.


### **ARRÊT PROLONGÉ**


1. Placez tous les thermostats la position d'arrêt ("OFF").

2. Coupez l'alimentation électrique principale.

3. Appliquez une couche épaisse d'huile végétale sur la plaque chauffante pour empêcher la production de rouille.

## **ENTRETIEN**

 La plaque chauffante et ses pièces sont chaudes. Soyez prudent lors de l'utilisation, du nettoyage et de l'entretien de la plaque chauffante.

 Débranchez l'alimentation et suivez la procédure de verrouillage-étiquetage avant tout nettoyage ou entretien de l'appareil.

### **LUBRIFICATION**

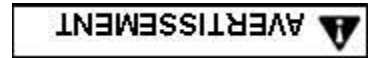
Cet appareil ne comporte aucune pièce qui nécessite une lubrification.

### **RENSEIGNEMENTS SUR LE SERVICE ET LES PIÈCES**

Contactez le centre de service de votre région pour obtenir des renseignements sur le service et les pièces. Pour obtenir la liste complète des centres de services et des dépôts de pièces, consultez [www.vulcanequipment.com](http://www.vulcanequipment.com)

Lors de tout appel de service, veuillez avoir les renseignements suivants habituellement inscrits sur la plaque signalétique de l'appareil : Numéro de modèle, numéro de série et tension.

## NETTOYAGE DE LA PLAQUE CHAUFFANTE



**La plaque chauffante et ses pièces sont chaudes. Soyez prudent lors de l'utilisation, du nettoyage et de l'entretien de la plaque chauffante.**

Nettoyez la plaque chauffante régulièrement. Une plaque chauffante propre paraît toujours mieux, dure plus longtemps et est plus performante. Pour obtenir des aliments uniformément cuits et parfaitement rissolés, gardez la plaque chauffante propre et exempte de graisse carbonisée. La graisse carbonisée sur la surface empêche le transfert de chaleur de la plaque chauffante aux aliments, et entraîne un rôtissage très inégal et une perte d'efficacité énergétique de la cuisson. La graisse carbonisée tend à s'accrocher aux aliments de la plaque chauffante et à leur donner une apparence très insatisfaisante et peu appétissante.

### REMARQUE

N'utilisez pas un jet d'eau pour nettoyer la plaque chauffante, car cela peut causer des dommages aux composants électriques internes.

Les plaques chauffantes standards HEG et WEG sont en acier ordinaire, mais peuvent être rayées ou bosselées par un usage négligent d'une spatule ou un grattoir. Veillez à ne pas bosseler, rayer ou rainurer la surface de la plaque. N'essayez pas de retirer des aliments qui peuvent être sur la spatule en tapant le coin ou le bord de la spatule sur la surface de la plaque chauffante.

Nettoyez soigneusement la surface de la plaque chauffante. Utilisez une pierre à plaque chauffante, un tampon à récureur ou Scotch Bright sur la surface au besoin. Frottez suivant le grain du métal tandis que la plaque chauffante est encore tiède (pas chaude). Un détergent peut être utilisé sur la surface de la plaque pour aider à nettoyer, mais assurez-vous que le détergent est soigneusement retiré en rinçant à l'eau claire. Après l'enlèvement du détergent de la surface de la plaque, celle-ci devrait être conditionnée selon les directives de ce manuel.

### APRÈS CHAQUE UTILISATION

Nettoyez la plaque chauffante avec un racloir pour plaque chauffante pendant la période de travail. Prenez garde de ne pas frapper vigoureusement l'arrière ou les côtés anti-éclaboussures avec le racloir.

### UNE FOIS PAR JOUR

Nettoyez soigneusement la paroi anti-éclaboussures à l'arrière, sur les côtés et à l'avant. Éteignez la plaque chauffante et laissez-la refroidir à entre 275 ° F et 300 ° F, appliquez un peu d'eau sur la surface de cuisson et nettoyez-la à l'aide d'un racloir pour plaque chauffante. Enlevez, videz et lavez le tiroir à graisse de la même manière qu'un ustensile de cuisine ordinaire.

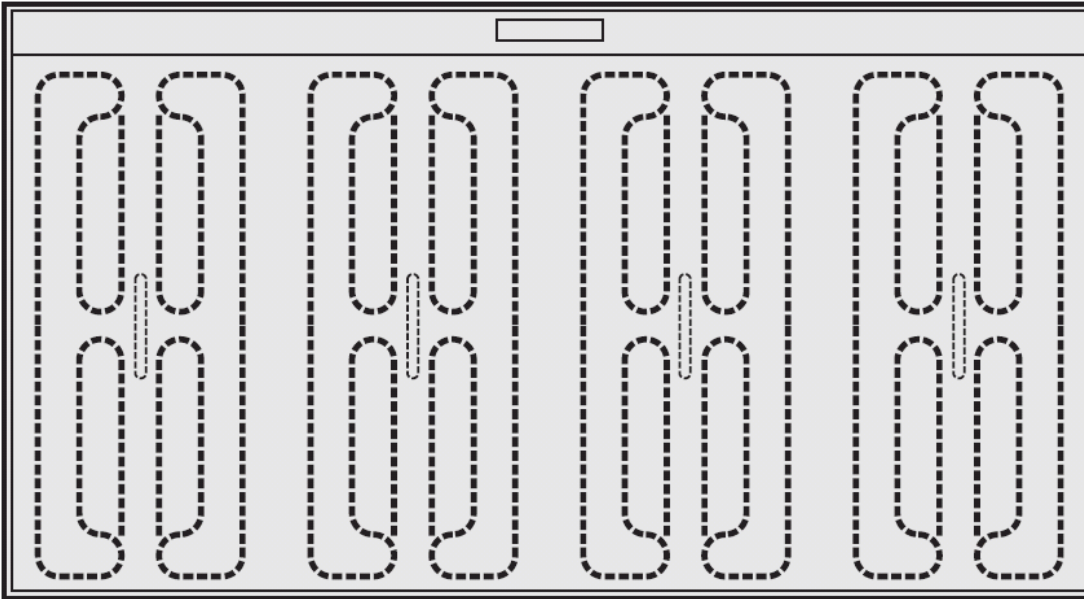
Nettoyez l'extérieur de la plaque chauffante avec un chiffon humide pour éviter l'accumulation de graisse et essuyez-le.

## ZONES DE CUISSON

Cette plaque chauffante est dotée de deux éléments chauffants tubulaires dans chaque section de 12 po. Chaque section est commandée par un thermostat indépendant. Chaque section de 12 po est une zone de cuisson distincte, ce qui permet de faire cuire une grande variété de produits sur une même plaque chauffante. Le tableau ci-dessous vous présente une suggestion d'utilisation des zones de cuisson.

Lors de la cuisson par zone, il est suggéré de commencer avec le plus bas réglage de la température d'un côté ou de l'autre de la plaque chauffante, et d'augmenter la température des autres zones plus elles sont situées vers la gauche ou la droite. Ces directives de cuisson par zone varieront selon la température, la taille et la forme des produits. Ce guide devrait être ajusté en fonction de votre produit et de vos préférences d'utilisation pour la cuisson.

HEG48E/MEG48E



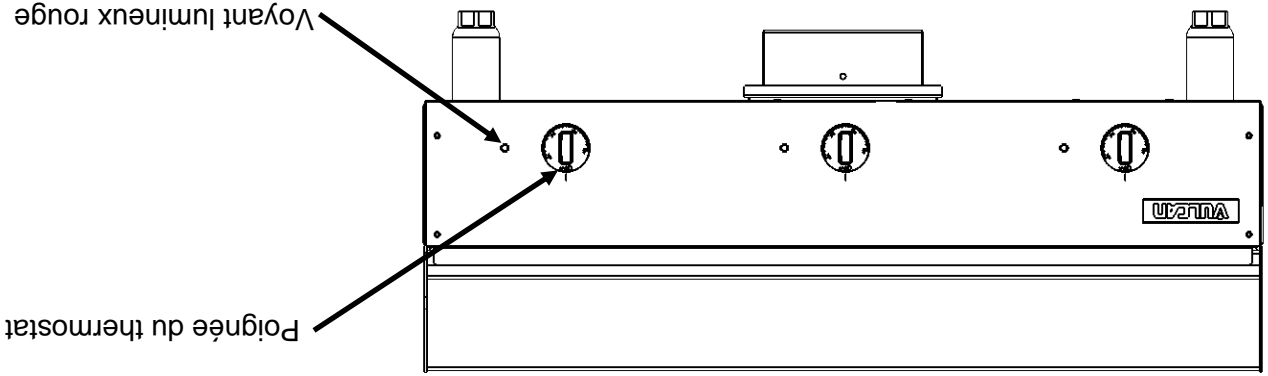
ZONE 1 (300 °F)	ZONE 2 (350 °F)	ZONE 3 (350 °F)	ZONE 4 (400 °F)
<b>PRODUIT</b> Saucisses Œufs (rôtis) Œufs (brouillés) Hamburger (bien cuit) Bacon Bifteck (bien cuit) Poitrines de poulet Aliments surgelés Côtelettes de porc	<b>PRODUIT</b> Crêpes Pain doré Bacon Œufs (sur le plat) Jambon blanc Bifteck (médium-bien cuit) Hamburger frais (médium-bien cuit) Petit hamburger congelé (médium-bien cuit)	<b>PRODUIT</b> Omelette Pommes de terre rissolées Bacon de dos	<b>PRODUIT</b> Bifteck (saignant) Légumes rissolés Saumon Croquettes de poisson Homard Langoustine

**CONDITIONNEMENT DE LA PLAQUE CHAUFFANTE**

Conditionnez la plaque chauffante pour éviter toute corrosion possible de la surface avant la première utilisation et après chaque nettoyage. Cela aidera aussi à réduire l'adhérence des produits alimentaires cuits. Faites chauffer la plaque chauffante à une température basse (300 à 350 °F) et appliquez une petite quantité d'huile à friture - environ une once par pied carré de surface. Utilisez un chiffon doux non pelucheux pour étendre l'huile sur toute la surface de la plaque chauffante afin de créer un film mince. Essuyez tout excès d'huile avec un chiffon. Répétez la procédure jusqu'à ce que la plaque chauffante ait un fini lisse et brillant.

## COMMANDES

Chaque thermostat commande indépendamment une section de 12 po de largeur de la plaque chauffante. Lorsque chaque thermostat est activé, le voyant rouge correspondant s'allume pour indiquer que les éléments de cette section sont allumés. Lorsque la plaque chauffante atteint la température de réglage souhaitée, les éléments de cette section s'éteignent et le voyant lumineux s'éteint. Les voyants lumineux s'éteindront et s'allumeront lorsque les thermostats arrêteront et remettront en marche les éléments chauffants correspondants pour maintenir les températures réglées. À la fin de chaque journée, vous devez tourner tous les boutons du thermostat à la position ARRÊT pour fermer l'appareil.



## UTILISATION DE LA PLAQUE CHAUFFANTE

Pour préchauffer, réglez les thermostats aux températures désirées 20 minutes avant la cuisson.

Une approche uniforme et systématique pour le chargement de la plaque chauffante produira les résultats les plus uniformes du produit.

TENSIONS STANDARD 208 VOLTS OU 240 VOLTS 50/60 HZ. - MONOPHASE OU TRIPHASE  
480 V 50/60 HZ. - TRIPHASE UNIQUEMENT

NUMÉRO DE MODÈLE	TOTAL KW	TOTAL CONN.	X-Y	X-Z	CHARGE TRIPHASE			INTENSITÉ NOMINALE PAR CONN. DE FIL DE LIGNE							
					PAR CONN. *	KW PAR PHASE	PAR CONN. *	TRIPHASE	480 VOLTS	240 VOLTS	208 VOLTS				
HEG24E/MEG24E	10,8	10,8	5,4	5,4	0,0	22,5	45,0	22,5	19,5	39,0	19,5	9,7	19,5	51,9	45,0
HEG36E/MEG36E	16,2	16,2	5,4	5,4	5,4	45,0	45,0	45,0	39,0	39,0	39,0	19,5	19,5	77,9	67,5
HEG48E/MEG48E	21,6	21,6	10,8	5,4	5,4	67,4	67,4	45,0	58,5	58,5	39,0	29,2	29,2	103,8	90,0
HEG60E/MEG60E**	27,0	16,2	5,4	5,4	5,4	45,0	45,0	39,0	39,0	39,0	19,5	19,5	19,5	77,9	67,5
HEG72E/MEG72E*	32,4	16,2	5,4	5,4	5,4	45,0	45,0	39,0	39,0	39,0	19,5	19,5	19,5	77,9	67,5

\*REMARQUE : Deux connexions de conduit distinctes doivent être effectuées : chaque connexion transporte la moitié de la charge nominale.

\*\*REMARQUE : Deux connexions de conduit distinctes doivent être effectuées : une connexion transporte 6,2 kW, l'autre connexion transporte 10,8 kW.

## UTILISATION



La plaque chauffante et ses pièces sont chaudes. Soyez prudent lors de l'utilisation, du nettoyage et de l'entretien de la plaque chauffante.



Débranchez l'alimentation et suivez la procédure de verrouillage-étiquetage avant tout nettoyage ou entretien de l'appareil.

## AVANT LA PREMIÈRE UTILISATION

Retirez tous les matériaux d'emballage et les plastiques de protection des surfaces de l'appareil. Avant son expédition de l'usine, la surface de la plaque chauffante est enduite d'huile végétale afin d'empêcher la production de rouille. Retirez ce film lors du nettoyage de la plaque chauffante avant sa première utilisation de cuisson. Chauffez la plaque chauffante à 200 à 300 ° F afin de décoller et de faire fondre le revêtement, puis nettoyez la surface en ajoutant de l'eau ou un nettoyant commercial dégraissant non corrosif, en suivant les directives du fabricant. Grattez les résidus d'huile de la plaque avec un racloir. Rincez abondamment et essuyez avec un linge doux. Nettoyez tous les accessoires.

Connexions du câblage de phase

HEG24E/WEG24E

CONNEXION DES FILS 208, 240 et 480 V CA  
TRIPHASÉ :

- 1. CONNECTER LE FIL 5 À L1
- 2. CONNECTER LES FILS 6 et 11 À L2
- 3. CONNECTER LE FIL 10 À L3

CONNEXION DES FILS 208 & 480 V CA  
MONOPHASÉ :

- 1. CONNECTER LES FILS 5 ET 10 À L1
- 2. CONNECTER LES FILS 6 ET 11 À L2

HEG60E/WEG60E

CONNEXION DES FILS 208, 240 & 480 V CA  
TRIPHASÉ :

- 1. CONNECTER LE FIL 18 À L1
- 2. CONNECTER LE FIL 16 À L2
- 3. CONNECTER LE FIL 15 À L3

BOÎTE DE CONNEXION DE DROITE  
1. CONNECTER LES FILS 8 ET 10 À L1  
2. CONNECTER LE FIL 17 À L2  
3. CONNECTER LE FIL 12 À L3

CONNEXION DES FILS 208 et 480 V CA  
MONOPHASÉ :

- 1. CONNECTER LES FILS 15 ET 16 À L1
- 2. CONNECTER LE FIL 18 À L2

HEG36E/WEG36E

CONNEXION DES FILS 208, 240 & 480 V CA  
TRIPHASÉ :

- 1. CONNECTER LE FIL 10 À L1
- 2. CONNECTER LE FIL 11 À L2
- 3. CONNECTER LES FILS 5 ET 6 À L3

CONNEXION DES FILS 208, 240 et 480 V CA  
TRIPHASÉ :

- 1. CONNECTER LES FILS 16 ET 11 À L1
- 2. CONNECTER LE FIL 15 À L2
- 3. CONNECTER LE FIL 18 À L3

HEG72E/WEG72E

CONNEXION DES FILS 208, 240 et 480 V CA  
TRIPHASÉ :

- 1. CONNECTER LES FILS 16 ET 11 À L1
- 2. CONNECTER LE FIL 15 À L2
- 3. CONNECTER LE FIL 18 À L3

BOÎTE DE CONNEXION DE DROITE  
1. CONNECTER LES FILS 8 ET 10 À L1  
2. CONNECTER LE FIL 17 À L2  
3. CONNECTER LE FIL 19 À L3

CONNEXION DES FILS 208, 240 & 480 V CA  
TRIPHASÉ :

- 1. CONNECTER LES FILS 10 ET 11 À L1
- 2. CONNECTER LES FILS 8, 9 ET 13 À L2
- 3. CONNECTER LE FIL 12 À L3

CONNEXION DES FILS 208 & 480 V CA  
MONOPHASÉ :

- 1. CONNECTER LES FILS 8, 12 ET 13 À L1
- 2. CONNECTER LES FILS 9, 10 ET 11 À L2

BOÎTE DE CONNEXION DE GAUCHE  
1. CONNECTER LES FILS 11 ET 18 À L1  
2. CONNECTER LES FILS 16 ET 15 À L2

CONNEXION DES FILS 208 et 480 V CA MONOPHASÉ :

- 1. CONNECTER LES FILS 11 ET 18 À L1
- 2. CONNECTER LES FILS 16 ET 15 À L2

BOÎTE DE CONNEXION DE DROITE  
1. CONNECTER LES FILS 10 ET 19 À L1  
2. CONNECTER LES FILS 8 ET 17 À L2



## ASSEMBLAGE DES PATTES

Fixez les pattes au châssis en vissant le goujon visible de la patte dans les trous filetés situés au-dessous de l'appareil. Serrez chaque patte de sorte que la face supérieure de la patte soit appuyée fermement contre le dessous du châssis de l'appareil. Ne faites pas fonctionner la plaque chauffante sans pattes ou support intégré, car ceci pourrait causer des dommages.

### MISE À NIVEAU

Positionnez la plaque chauffante à l'emplacement souhaité. Nivelez la plaque chauffante en tournant les pieds réglables à l'aide d'une clé. Vous devez tenir la patte tout en tournant le pied afin que la fixation à la plaque chauffante demeure solide.

### EMPLACEMENT

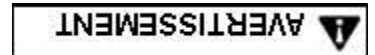
La zone d'installation de l'équipement doit être gardée libre de substances combustibles. Ne laissez pas de l'air circuler directement sur la plaque chauffante. Évitez d'ouvrir des fenêtres à proximité de la plaque chauffante lorsque cela est possible. Évitez les ventilateurs muraux qui produisent des contre-courants d'air dans la pièce. Cette plaque chauffante est de conception certifiée pour une installation sur un comptoir incombustible avec des pattes de 4 po ou sur un plancher combustible avec un support de 24 po de hauteur.

### DÉGAGEMENT MINIMUM

CONSTRUCTION COMBUSTIBLE      CONSTRUCTION INCOMBUSTIBLE

Arrière :	1 po	0 po
Côté	1 po	0 po
Côté	1 po	0 po

### CONNEXIONS ÉLECTRIQUES



**AVERTISSEMENT**

Les connexions électriques et de mise à la terre doivent être conformes aux parties applicables du Code électrique national et/ou d'autres codes électriques locaux.



**AVERTISSEMENT**

Débranchez l'alimentation électrique de la plaque chauffante et suivez la procédure de verrouillage et étiquetage.

Connexions électriques

1. Enlevez la ou les plaques-couvercles de la boîte de connexion à l'arrière de l'appareil. Ceci expose la boîte de connexion intégrée et les fils d'alimentation de la plaque chauffante.

2. Sélectionnez une alvéole défonçable convenable à l'arrière ou au bas de la boîte de connexion.

3. Connectez les fils d'alimentation de la plaque chauffante aux conducteurs d'alimentation à l'aide des capuchons de connexion fournis, tel qu'illustré dans les directives de câblage applicables. Ne pas toucher au câblage interne de la plaque chauffante.

4. Insérez l'excédent de fil dans la boîte de connexion et remplacez la plaque-couvercle. Ne faites jamais fonctionner la plaque chauffante sans que le couvercle de la boîte de connexion ne soit en place.

### REMARQUE

Puisque la plaque chauffante n'est pas protégée par un fusible, vous devez la connecter à un circuit à fusible muni d'un dispositif de sectionnement tel que requis par les autorités locales.

# INSTALLATION, UTILISATION ET ENTRETIEN DES PLAQUES CHAUFFANTES ÉLECTRIQUES DE FABRICATION ROBUSTE

## GÉNÉRALITÉS

Les plaques chauffantes électriques de fabrication robuste sont produites par de la main-d'œuvre qualifiée et des matériaux de qualité. Une installation, une utilisation et un entretien approprié de votre plaque chauffante favoriseront des années de performance satisfaisante. Lisez attentivement ce manuel en entier et suivez bien toutes les directives fournies.

## INSTALLATION

Avant l'installation, vérifiez le branchement électrique pour vous assurer qu'il correspond aux spécifications indiquées sur la plaque signalétique. N'effectuez pas l'installation si la tension d'alimentation et celle de l'appareil ne correspondent pas. Contactez immédiatement le détaillant ou Vulcan.

## CODES ET NORMES D'INSTALLATION

La plaque chauffante Vulcan doit être installée conformément aux codes et normes suivantes :

Aux États-Unis d'Amérique :

1. Codes d'État et locaux.
2. National Electrical Code ANSI/NFPA - 70 (plus récente édition) disponible auprès de la National Fire Protection Association, 1 Batterymarch Park, Quincy, MA 02269.
3. Norme no 96 de NFPA, *Vapor Removal from Cooking Equipment*, (plus récente édition), disponible auprès de la National Fire Protection Association, Batterymarch Park, Quincy, MA 02269.

Au Canada :

1. Code local
2. Code canadien de l'électricité, Première partie C22.1 (plus récente édition) disponible auprès de l'Association canadienne de normalisation, 5060 Spectrum Way, bureau 100, Mississauga (Ontario), Canada, L4W 5N6.

## DÉBALLAGE

Ce grill a été inspecté avant de quitter l'usine. En acceptant sa livraison, le transporteur prend l'entière responsabilité de le livrer en toute sécurité. Immédiatement après la livraison, vérifiez s'il a effectivement subi des dommages pendant le transport.

S'il s'avère que le grill a été endommagé, veuillez suivre les procédures suivantes :

1. Le transporteur doit être averti dans les 5 jours ouvrables suivant la réception.
2. Les gens du terminus local du transporteur doivent être avisés immédiatement lors de la découverte des dommages (indiquez l'heure, la date et à qui vous avez parlé) et assurez le suivi en confirmant les faits par écrit ou par communication électronique.
3. Pour fins d'inspection, tout le matériel d'emballage original doit être conservé.
4. Le grill ne doit pas avoir été déplacé, installé ou modifié.
5. Avisez le Service à la clientèle de Vulcan immédiatement en faisant le (800) 814-2028.

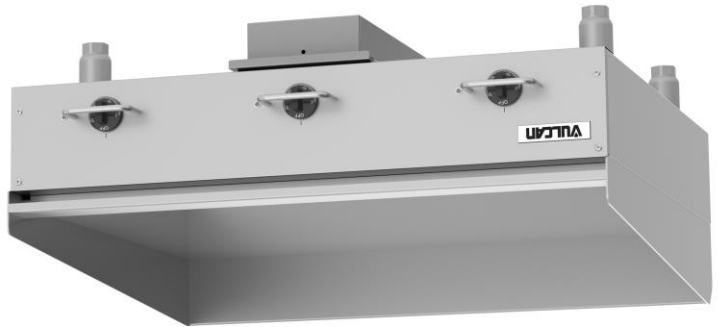
# TABLE DES MATIÈRES

3	INSTALLATION .....
3	Codes et normes d'installation .....
3	Déballage .....
4	Assemblage des pattes .....
4	Mise à niveau .....
4	Emplacement .....
4	Connexions électriques .....
5	Connexions du câblage de phase .....
6	Données électriques .....
6	UTILISATION .....
6	Avant la première utilisation .....
7	Conditionnement de la plaque chauffante .....
7	Commandes .....
7	Utilisation de la plaque chauffante .....
8	Zones de cuisson .....
9	Nettoyage de la plaque chauffante .....
9	Plaques de cuisson HEG et WEG .....
10	ARRÊT .....
10	ARRÊT PROLONGÉ .....
10	ENTRETIEN .....
10	Renseignements sur le service et les pièces .....
11	DÉPANNAGE .....
12	INSTALLATION DES ACCESSOIRES .....

**MANUEL D'INSTALLATION ET D'UTILISATION  
DE PLAQUES CHAUFFANTES ÉLECTRIQUES DE  
FABRICATION ROBUSTE**

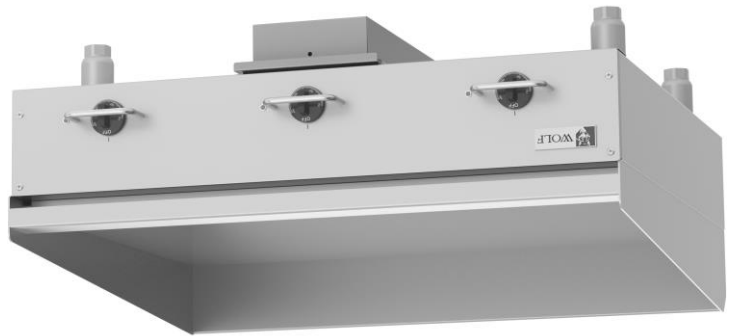
**MODELES**

HEG24E  
HEG36E  
HEG48E  
HEG60E  
HEG72E



HEG36E

WEG24E  
WEG36E  
WEG48E  
WEG60E  
WEG72E



Pour obtenir des renseignements supplémentaires au sujet de Vulcan-Hart ou pour trouver un fournisseur de pièces et service autorisé dans votre région, veuillez visiter notre site web à [www.vulcanequipment.com](http://www.vulcanequipment.com)

CONSERVEZ CE MANUEL POUR UNE  
UTILISATION ULTÉRIEURE  
FORMULAIRE F-45396 (9-15)

©ITW Food Equipment Group, LLC  
3600 North Point Blvd.  
Baltimore, MD 21222

**WOLF** 

**VULCAN**