



FOOD DEHYDRATORS

PRO-1200 28-0301-W (80 L)

PRO-2400 28-0501-W (160 L)

DUE TO CONSTANT FACTORY IMPROVEMENTS, THE PRODUCT PICTURED MIGHT DIFFER SLIGHTLY FROM THE PRODUCT IN THIS BOX. 020416

TABLE OF CONTENTS / ÍNDICE / TABLE DES MATIÈRES

IMPORTANT!	3
GENERAL SAFETY RULES	4
GROUNDING INSTRUCTIONS	5
COMPONENT LIST	6-7
ASSEMBLY INSTRUCTIONS	8
PRE-OPERATING INSTRUCTIONS	9
SET UP	9
PROGRAMMING	10
FUNCTION	10
POST OPERATION	11
OPERATING INSTRUCTIONS	11
CLEANING INSTRUCTIONS	12-13
TROUBLESHOOTING	13
LIGHT BULB REPLACEMENT	14
DRYING TIPS	15-16
MAKING JERKY	17-18
STORING JERKY	18
RECONSTITUTION	18
SUMMARY	19
DRYING FLOWERS	19
FOOD SAFETY	20
TWO-YEAR LIMITED WESTON WARRANTY	22

¡IMPORTANTE!	24
REGLAS IMPORTANTES DE SEGURIDAD	25
INSTRUCCIONES PARA HACER TIERRA	26
LISTA DE COMPONENTES	28-29
INSTRUCCIONES DE ENSAMBLADO	30
INSTRUCCIONES DE PREFUNCIONAMIENTO	31
INSTALACIÓN	31
PROGRAMACIÓN	32
FUNCIÓN	32
OPERACIÓN POSTERIOR	33
INSTRUCCIONES DE FUNCIONAMIENTO	33
INSTRUCCIONES DE LIMPIEZA	34-35
SOLUCIÓN DE PROBLEMAS	35
REEMPLAZO DE LA BOMBILLA	36
CONSEJOS DE SECADO	37-38
PREPARACIÓN DE LA CECINA	39-40
ALMACENAMIENTO DE LA CECINA	40
REHIDRATACIÓN	40
RESUMEN	41
SECADO DE FLORES	41
SEGURIDAD DE LOS ALIMENTOS	42
DOS AÑOS DE GARANTÍA WESTON LIMITADA	44

IMPORTANT!	46
INSTRUCTIONS DE MISE À LA TERRE	46
IMPORTANTES RÈGLES DE SÉCURITÉ	47
DESCRIPTION DE LA PIÈCE	48-49
INSTRUCTIONS DE MONTAGE	50
INSTRUCTIONS AVANT L'UTILISATION	51
RÉGLAGE	51
PROGRAMMATION	52
FONCTION	52
APRÈS L'UTILISATION	53
INSTRUCTIONS D'UTILISATION	53
DIRECTIVES DE NETTOYAGE	54-55
DÉPANNAGE	55
REMPLACEMENT DE L'AMPOULE	56
CONSEILS DE DÉSHYDRATATION	57-58
FAIRE DE LA CHARQUI	59-60
ENTREPOSAGE DE LA CHARQUI	60
RECONSTITUTION	60
SOMMAIRE	61
SÉCHER LES FLEURS	61
SÉCURITÉ ALIMENTAIRE	62
DEUX ANS DE GARANTIE WESTON LIMITÉE	63

IMPORTANT!

This appliance is a Dehydrator, not an oven. Its purpose is to dry, not cook. Dehydrator operation is not the same as that of an oven.

- BEFORE dehydrating, heat meat to an internal temperature of 160°F (71°C) and poultry to 165°F (74°C) in an oven to kill any bacteria that may be present.
 - Heat the meat or poultry in an OVEN, not the Dehydrator.
 - Ideally, Set Temperature is only the highest temperature reached during a heating cycle. Set Temperature is not maintained.
-
- Depending on a variety of factors including ambient conditions, state of food being dried and power supply, the Set Temperature may not be reached.
 - For maximum performance: do not use extension cords; operate the Dehydrator in area where the temperature is above 70°F (21°C); remove other appliances from the electrical circuit to which you connect the Dehydrator; make sure the door is fully closed with no gaps in the seal; connect the Dehydrator to an electrical circuit protected by a 20-Amp circuit breaker.
 - DO NOT use the Dehydrator outdoors.
 - Read and fully understand all instructions and warning prior to using the Dehydrator.

GENERAL SAFETY RULES

READ AND FULLY UNDERSTAND ALL INSTRUCTIONS AND WARNINGS PRIOR TO USING THIS UNIT. YOUR SAFETY IS MOST IMPORTANT! FAILURE TO COMPLY WITH PROCEDURES AND SAFE GUARDS MAY RESULT IN SERIOUS INJURY OR PROPERTY DAMAGE. REMEMBER: YOUR PERSONAL SAFETY IS YOUR RESPONSIBILITY!

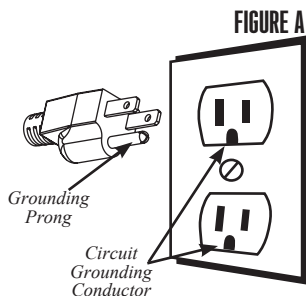
1. **ALWAYS DISCONNECT** the **Dehydrator** from the power source before servicing, changing accessories or cleaning the unit.
2. **ALWAYS USE A SEPARATE DEDICATED ELECTRICAL CIRCUIT** to supply power to this **Dehydrator**. The circuit should not be less than #12 wire and **MUST** be protected with a 20 amp circuit breaker. If you are unsure of your electrical system, contact a qualified electrician. Failure to verify your electrical system may result in fire, injury or property damage! The unit will not heat to the Set Temperature unless this step is done.
3. **NEVER LEAVE THE DEHYDRATOR UNATTENDED.** Be safe, **DISCONNECT** the **Dehydrator** from power source before leaving the work area. Close supervision is necessary when any appliance is used near children. This appliance is **NOT** to be used by children.
4. Reduce risk of unintentional starting. Make sure the **Power Switch** is in the "OFF" position before attaching to the power source. To disconnect, turn any control to off, then remove plug from wall outlet.
5. **DO NOT USE** the **Dehydrator** if the **Power Cord, Plug** or any other parts are damaged. If the **Power Cord** or the **Dehydrator** is damaged, call Customer Service. **DO NOT ATTEMPT TO REPLACE THE CORD.** Be sure to not allow the **Power Cord** to drape into your work area. Check that all parts are operating properly, and perform the intended functions. Check for alignment of moving parts or any other conditions that may affect the operation.
6. **NEVER** use any accessories or parts from other manufacturers. Doing so will VOID YOUR WARRANTY and may cause fire, electrical shock or injury.
7. The Manufacturer declines any responsibility in the case of improper use of the **Dehydrator**. Improper use of the **Dehydrator** voids the warranty.
8. Electrical repair must be done by your authorized dealer. Use only factory original parts and accessories. Modification of the **Dehydrator** voids the warranty.
9. Be sure the **Dehydrator** is on a stable work surface. Be sure all the **Dehydrator Feet** are stable. Lock the **Casters** (if applicable) prior to use.
10. **DO NOT** use outdoors.
11. This Dehydrator contains intake and exhaust vents on the rear of the unit. Keep all objects and walls at least 6" (15 cm) from all sides of the **Dehydrator**.
12. **DO NOT** run the Dehydrator on any flammable surfaces such as carpeting or wood floors! **BE SAFE** and use the Dehydrator on a cinder block or concrete floor.
13. TO PROTECT AGAINST RISK OF ELECTRICAL SHOCK: **DO NOT SUBMERGE THE CORD, PLUGS, OR DEHYDRATOR INTO WATER OR LIQUID.** BE SURE THE **DEHYDRATOR** IS DISCONNECTED FROM THE POWER SOURCE BEFORE CLEANING. Wash all parts by hand and thoroughly dry. Thoroughly clean all parts that will come in contact with food before using the appliance. **NEVER** rinse appliance **Dehydrator** with a hose or pouring water, only use a moist cloth to clean the **Dehydrator**. **DO NOT** use the Dehydrator with wet hands or bare feet. **DO NOT** use near water.
14. **DO NOT** allow water to drip inside of the **Diffuser**, damage to the **Heating Element** may occur. **DO NOT** remove the **Diffuser** from the **Cabinet**. Assembly integrity will be compromised and may void warranty. Follow the **Diffuser** cleaning instructions after EACH use.
15. After cleaning, make sure **Dehydrator** is completely dry before reconnecting to the power source – if not; ELECTRICAL SHOCK may result, and may result in personal injury.
16. Failure to follow cleaning and maintenance instructions will decrease the life span of your **Dehydrator** and may cause serious product malfunction, injury or property damage.
17. **Do not place on or near a hot gas or electric burner, or in a heated oven.** **DO NOT** allow the power cord to drape over the Dehydrator or hot surfaces.
18. **BEWARE! Some surfaces of the Dehydrator may become very HOT during use! Serious injury may result!** **DO NOT** touch these parts during operation or until they cool after use.
19. **DO NOT** attempt to operate the **Dehydrator** if the **Dehydrator** itself is cold. The **Dehydrator** temperature should be at least 45°F (7°C) before beginning.
20. **DO NOT** use the **Dehydrator** while under the influence of drugs, medications or alcohol.
21. Do not use appliance for other than intended use.
22. Extreme caution must be used when moving an appliance or part containing hot oil or other hot liquids.

SAVE THESE INSTRUCTIONS

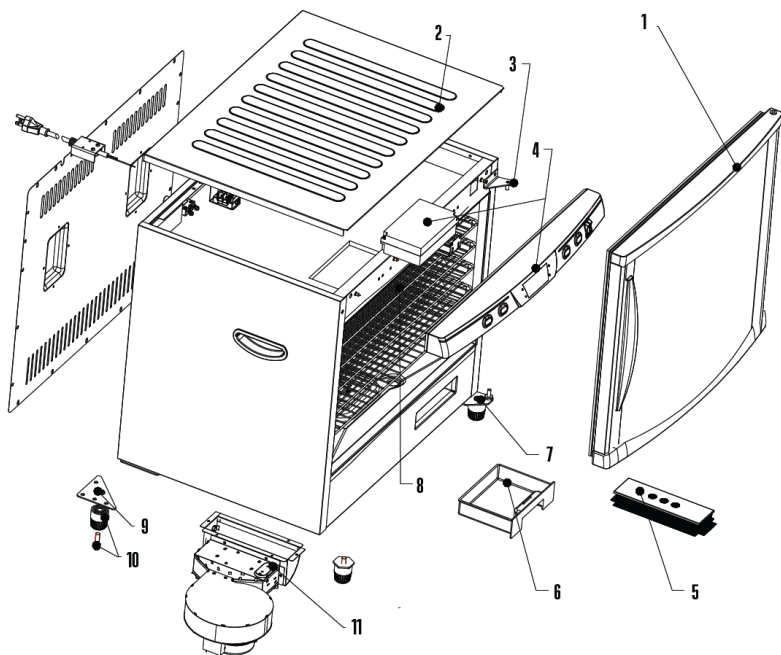
GROUNDING INSTRUCTIONS

GROUNDING

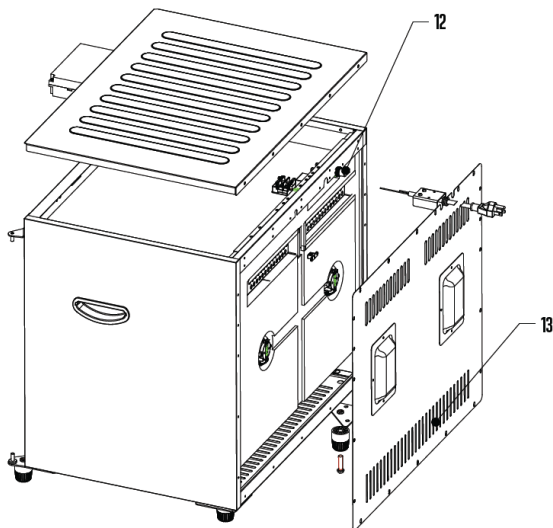
This appliance must be grounded while in use to protect the operator from electrical shock. The appliance is equipped with a 3-conductor cord and a 3-prong grounding type plug to fit the proper grounding-type receptacle. The appliance has a plug that looks like Figure A.



WARNING! Before cleaning, assembling or disassembling the Dehydrator, make sure the **PLUG IS REMOVED FROM THE OUTLET/ POWER SOURCE!** ALWAYS unplug the Dehydrator when not in use.



BACK VIEW



COMPONENT LIST

DIAGRAM #	PART DESCRIPTION	28-0301-W	28-0501-W
1	DOOR	28-0404-W	28-0504-W
2	TOP PANEL	28-0506	28-0506
N/A	BOTTOM PANEL (NOT SHOWN)	28-0307	28-0307
3	TOP DOOR HINGE	28-0333	28-0333
4	COMPUTER BOARD & CONTROL PANEL	28-0513	28-0513
5	DIFFUSER	28-0311	28-0331
N/A	BACK PANEL DIFFUSER (NOT SHOWN)	N/A	28-0330
6	DRIP TRAY	28-0519	28-0519
7	BOTTOM DOOR HINGE	28-0334	28-0334-N
8	NONSTICK RACK - SET OF 12	28-0313	28-0313 (2 SETS INCLUDED)
9	REAR BOTTOM CORNER BRACKET (2)	28-0336	28-0336-N
N/A	FRONT FOOT BRACKET (NOT SHOWN)	28-0332	28-0332-N
10	FOOT KIT (INCLUDES ALL 4 FEET & BOLT)	28-0308	N/A
N/A	CASTER KIT (INCLUDES ALL 4 CASTERS & NUTS)	N/A	28-0508
11	FAN & HEATING ELEMENT	28-0302	28-0302
12	CIRCUIT BREAKER	28-0379	28-0379
13	BACK PANEL	28-0305	28-0505
N/A	SNACK STICK HANGER (NOT SHOWN)	28-0322	28-0322

If any components of this unit are broken, the unit does not operate properly or you need a replacement instruction manual, visit us on the web at

WestonProducts.com

Or call Weston Brands LLC Toll Free at 1-800-814-4895
Monday thru Friday 8:00am-5:00pm ET. Outside the U.S. call 001-216-901-6801

80 L ASSEMBLY INSTRUCTIONS

1. Make sure the Dehydrator is turned off and unplugged.
2. Remove the Racks and any other loose items from the interior and close the Door.
3. Gently lay the Dehydrator onto its left side (when facing the Door) on a rug or other similar article to prevent scratching. DO NOT lay the Dehydrator onto its right side or front to avoid damaging the Door, Control Panel and/or Circuit Breaker.
4. Insert the Foot Bolts into the holes at the bottom of the Feet until the Bolts threads protrude out. Thread the Bolts & Feet into the Front Foot Brackets.
5. Tighten the Foot Bolts with a screwdriver.
6. While holding the Door closed, carefully stand the Dehydrator upright onto the Feet.

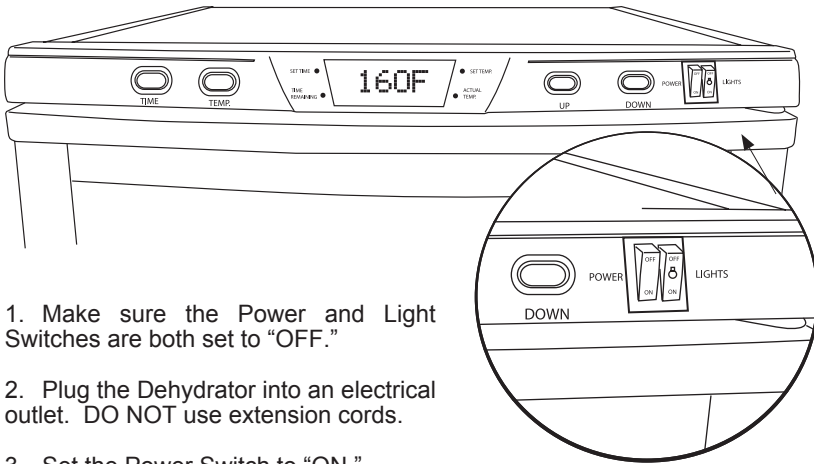
160 L ASSEMBLY INSTRUCTIONS

1. Follow steps 1-3 above.
2. Screw a Caster Nut (attached to Caster for shipping) onto the threaded stem of each Caster until it stops.
3. Screw the Swivel Casters into the Rear Bottom Corner Brackets until they stop. HINT: Hold the Caster frame with one hand and rotate the swivel with your other hand.
4. Screw the Swivel Casters with Breaks into the Front Foot Brackets until they stop.
5. Tighten each Caster Nut with a 12-mm (1/2") open-end wrench. Turn the Caster Nuts clockwise. You want to tighten them to the Dehydrator, not the Casters. DO NOT over-tighten.
6. Inspect the gap between the Door and Front Left Foot Bracket to make sure the stem of the Caster does not contact the bottom of the Door. If there is contact, loosen the Caster Nut and move the Caster down. Screw the Caster Nut onto the stem of the Caster, but do not screw it all the way down. Leave a small gap to shorten the stem that protrudes through the Foot Bracket. Reinstall the Caster as described above.
7. While holding the Door closed, carefully stand the Dehydrator upright onto the Casters.

PRE-OPERATING INSTRUCTIONS

- DO NOT operate the Dehydrator without the Feet / Casters installed.
- Locate the Dehydrator on a clean, level, dry, non-flammable, surface at least 6" (15 cm) away from any wall. Avoid carpeted surfaces.
- Set the brakes on the two front-mounted Swivel Casters (160-L model) .

SET UP

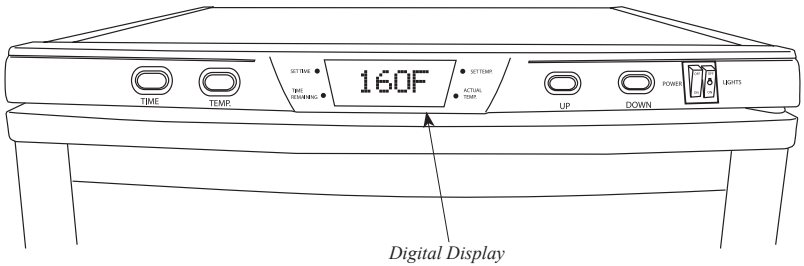


1. Make sure the Power and Light Switches are both set to "OFF."
2. Plug the Dehydrator into an electrical outlet. DO NOT use extension cords.
3. Set the Power Switch to "ON."
4. Fill the Racks with food or other items to be dried.
5. Load the Racks in the Dehydrator. Push each Rack in until it stops.

IMPORTANT: There are three notched Racks. Place these Racks (with the notch to the back) on the top three Rack Supports. The notches prevent the Racks from touching the Temperature Sensor on the back inside wall near the top. Any contact between these parts may cause false temperature readings and/or cycle irregularities.

6. Close the Door, firmly press on the Door to ensure a good seal.

PROGRAMMING



7. TO SET THE TIME: Press the “TIME” Button on the Control Panel one time. Use the “UP” & “DOWN” Buttons on the right side of the Control Panel to set the countdown timer hours (23 hour maximum). Press the “TIME” Button again to switch to minutes. Similarly set the minutes (5 minute increments).

8. TO SET THE TEMPERATURE: Press the “TEMP” Button one time. Use the “UP” & “DOWN” Buttons to set the temperature (160°F maximum, 50°F minimum, 5 degree increments).

NOTE: Set Temperature is the maximum temperature the Dehydrator could reach during operation.

9. You do not need to push any other buttons. The Dehydrator will automatically start after a brief pause. NOTE: The Dehydrator will start while you’re programming if you delay. Don’t worry, this is normal. Just continue programming as instructed above.

FUNCTION

10. The Digital Display on the Control Panel will continuously cycle while the unit is operating. It will alternately display: the preset drying time “SET TIME;” the remaining drying time “TIME REMAINING;” the preset temperature “SET TEMP;” and the actual current temperature inside the Dehydrator “ACTUAL TEMP” (measured by the Temperature Sensor on the back wall near the top).

NOTE: The “SET TEMP” is only the highest temperature reached during a heating cycle. The “SET TEMP” is NOT maintained.

11. The Dehydrator will emit 8 beeps at startup and when the interior temperature reaches the preset value.

12. The Dehydrator automatically stops (Fan & Heater) when the countdown timer reaches 0. Unit power will remain on, however.

POST OPERATION

13. Set the Power Switch to “OFF” when you are done.
14. Unplug the Dehydrator when not in use.
15. Clean the Dehydrator after each use, especially the Diffuser. See the “CLEANING INSTRUCTIONS” section of this booklet.

OPERATING INSTRUCTIONS

- The purpose of this Dehydrator is to dry, not cook. It does not operate in the same manner as an oven. Its operation and performance should not be compared to that of an oven.
- The Dehydrator’s “SET TEMP.” is only the highest temperature that will be reached during a heating cycle. It is the temperature at which the Heater turns off. The Fan will continue to operate. Heating resumes when the temperature falls 5 to 10 degrees below the “SET TEMP.”
- The maximum temperature to which you can set the Dehydrator is 160°F (71°C). The Dehydrator may or may not reach Set Temperature depending on several factors including: the temperature in the area where the Dehydrator is operating; whether or not an extension cord is being used; whether or not the Dehydrator is sharing the electrical circuit with other appliances; food thickness, temperature and moisture content; the amount and position of food on the racks.
- For maximum Dehydrator performance: DO NOT use extension cords; operate the Dehydrator in an area where the temperature is above 70°F (21°C); remove all other appliances from the electrical circuit to which you connect the Dehydrator; make sure the door is fully closed with no gaps in the seal; connect the Dehydrator to an electrical circuit protected by a 20-Amp circuit breaker.

CLEANING INSTRUCTIONS

WARNING! Before cleaning, assembling or disassembling the Dehydrator, make sure the Dehydrator is OFF and the PLUG IS REMOVED FROM THE OUTLET/POWER SOURCE!

- **IMPORTANT!** Clean the Dehydrator after EACH use. Do not use abrasive cleansers. The Racks are NOT dishwasher safe.
- **WARNING!** DO NOT immerse the Dehydrator in water. DO NOT spray the Dehydrator with water. DO NOT let water drip into the Diffuser.
- DO NOT allow grease to build up inside the Dehydrator, especially on the Diffuser. Component damage or fire may result.
- Turn off and unplug the Dehydrator. Allow the Dehydrator to cool. Clean the Racks, interior and exterior Cabinet, Diffuser, Door and Drip Tray as described below.

NON-STICK RACKS

Wash the Racks by hand with a soft brush in warm soapy water. Rinse and towel dry. Make sure the Racks are completely dry before returning them to the Dehydrator.

CABINET INTERIOR

Wipe the Cabinet Interior and clean Rack Supports with a moderately damp cloth and soap if necessary. DO NOT use abrasive cleansers. Wipe off any residue if soap is used. CAUTION: DO NOT let water drip into the Diffuser. Electric shock or unit damage may result. If necessary, cover the Diffuser with a dry towel while cleaning the Cabinet Interior and Rack Supports.

CABINET EXTERIOR

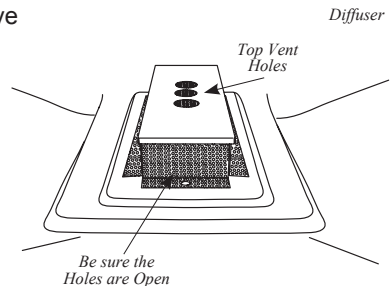
Wipe the Cabinet Exterior with a moderately damp cloth and soap if necessary. Wipe off any residue if soap is used.

DIFFUSER

Wipe the top and sides of the Diffuser with a slightly damp cloth and soap if necessary. DO NOT use abrasive cleansers. Remove any residue if soap is used.

CAUTION: DO NOT let water drip into the Diffuser. Electric shock or unit damage may result.

Inspect the vent holes on the sides and top of the Diffuser. All the holes must be clean and fully open. Use a toothpick or other pointed object to remove any residue. Be careful not to push residue into the Diffuser.



CABINET DOOR

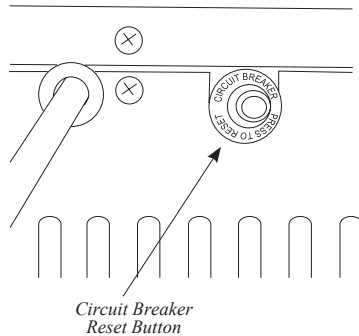
Wipe the Door and Seal clean with a moderately damp cloth and soap if necessary. Wipe off any residue if soap is used. Wipe the glass clean with a rag or paper towels and glass cleaner.

DRIP TRAY

Empty then wash the Drip Tray in warm soapy water. Rinse and dry the Drip Tray before re-installing it in the Dehydrator.

TROUBLESHOOTING***The Dehydrator loses power and will not restart.***

- Turn the Dehydrator off and disconnect the Power Cord from the electrical outlet. Press the button on the Circuit Breaker (located on the back of the Dehydrator near the top) to reset it.
- Check the household circuit breaker controlling the electrical outlet to which you connected the Dehydrator. Make sure that the breaker is rated 20 Amp and no other appliances are used at the same time. Reset it, if necessary.

***Uneven or incomplete drying.***

- Do not cover the center holes in the Racks.
- Rotate the Racks every 45 to 90 minutes depending on the food being dried. Move the top Rack to the bottom. Move all other Racks up one shelf. Turn the Racks around.
- Don't crowd food items. Space items $\frac{1}{2}$ " to 1" (1.3 to 2.5 cm) apart on the Racks.
- Increase the drying time and temperature.
- Do not block the vents on the bottom of the Dehydrator.
- Keep the Dehydrator at least 6" (15.2 cm) away from any wall.

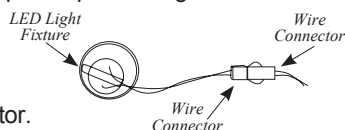
If the above tips do not resolve the problem you are having with the Dehydrator, contact Customer Service at the number on the back of this manual for additional information and further troubleshooting.

LIGHT BULB REPLACEMENT

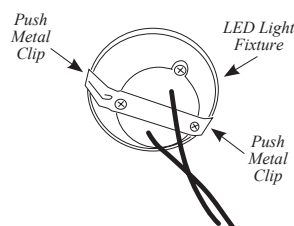
WARNING! Before cleaning, assembling or disassembling the Dehydrator, make sure the Dehydrator is OFF and the PLUG IS REMOVED FROM THE OUTLET/POWER SOURCE!

1. Turn off the Dehydrator Lights. Turn off and disconnect the Dehydrator from the power outlet.
2. Let the Dehydrator cool. DO NOT attempt to replace a Light Bulb while the Dehydrator is hot.
3. Remove all of the Racks.
4. Remove the Back Panel of the Dehydrator.

5. Locate the LED Light Fixture that you wish to replace, and disconnect the wires from the Light Fixture from the white Wire Connector on the unit by squeezing together the two clips on the Wire Connector.



6. Press together the two sides of the Metal Clip on the Light Fixture to release it from the body of the Dehydrator and then gently push the Light Fixture into the Cabinet of the unit, being sure to have a grip on the wires connected to the Light Fixture so it does not drop into the Dehydrator Cabinet. Discard the removed Light Fixture.

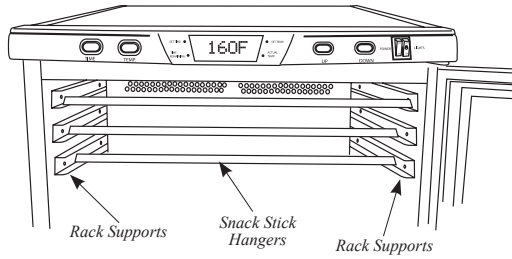


7. Insert the replacement Light Fixture into the vacant hole where the old Light Fixture was by first feeding the wire connected to the Light Fixture first.
8. Line up the Light Fixture with the hole and push it back until the Metal Clips on the back of the Light Fixture lock into place.
9. Re-connect the Wire Connector attached to the Light Fixture with the Wire Connector the old Light Fixture was connected to by pressing them together until they lock.
10. Line the Back Panel of the Dehydrator up and re-install the removed screws to mount the Back Panel.

DRYING TIPS

SAUSAGE OR SNACK STICKS:

Use the Snack Stick Hangers to hang and dry sausage links and snack sticks. After removing all the Racks from your Dehydrator, simply drape the links over the Snack Stick Hangers and slide them into the top Rack Supports. Be sure not to



allow the links to rest on the bottom of the Cabinet or on top of the Diffuser.

GROUND MEATS: Whenever making jerky from ground meats, you can use a jerky gun or such tool to create perfect strips of jerky as well as snack sticks.

BEEF: Choose Flank, Round or Sirloin Tip cuts, as they are the best beef cuts for making jerky.

WILD GAME: Venison makes excellent jerky because it does not contain marbled fat. Flank or Round Cuts work best. Bear and Elk meat also make very good jerky.

POULTRY: Whether making chicken or turkey jerky, it is important that the meat be cooked heated to an internal temperature of 165°F (74°C) before dehydrating to kill disease-causing bacteria.

FISH: Drying fish into jerky requires a lot of attention. It must be cleaned and de-boned properly and rinsed thoroughly to ensure that all the blood is washed away. Steam or bake the fish at 200°F (93°C) until flaky before dehydrating.

DRYING TIPS

As with most methods of cooking, good preparation is essential to success. Following a few basic guidelines will greatly increase the quality of the dehydrated product and decrease the time needed to make it.

NOTE: Before dehydrating, heat meat to an internal temperature of 160°F (71°C) and poultry to 165°F (74°C) to kill any bacteria that may be present. Heat the meat or poultry in an oven, not the Dehydrator.

- To prevent fruit from darkening, briefly soak slices in lemon or pineapple juice before drying. You also can soak fruit slices in ascorbic acid, which is sold in most pharmacies and health food stores in powder or tablet form. Prepare a solution of ascorbic acid according to the manufacturer's instructions. Soak fruit slices in the solution for 2 to 3 minutes before dehydrating.
- Water or steam blanch* vegetables before drying to stop enzymatic action. To water blanch, place vegetables directly into boiling water and cover. Remove after three minutes. To steam blanch, place vegetables in a steamer basket and steam for 3 to 5 minutes.
- Maintain a uniform thickness when slicing food items for dehydration. This will ensure the items dry at the same rate.
- Maximum slice thickness for fruits and vegetables should be 1/4" (0.7 cm) unless otherwise specified by a recipe.
- Maximum slice thickness for meats should be 3/16" (0.5 cm) unless otherwise specified by a recipe.
- Lean meat makes better product than fatty meat.
- Marinate meat before heating and dehydrating.
- Food shrinks by half or more during dehydration. A pound of meat, for example, will yield 1/2 to 1/3 lb (0.15 to 0.2 kg) of jerky. Don't cut pieces too small.
- Store dried foods in a closed container in a cool, dark, dry location. The best storage temperature is between 50°F and 60°F (10° and 16°C). Dried food should retain its freshness for months when stored this way.
- The actual time needed to dry a food depends on many factors including the food's moisture content, fat content, thickness and temperature as well as ambient humidity and temperature.
- Water droplets may form on the surface of meat and other items while drying. Occasionally blot the food items to remove the droplets.

*Blanching is not required for all vegetables. Check the recipe or a drying guide.

MAKING JERKY

Meat should be as lean as possible. Using lean meat will help the meat dry faster and aid in cleanup by decreasing fat drippings. Ground meat should be 80% to 90% lean. Ground turkey, venison, buffalo and elk are other excellent choices for Jerky.

Jerky seasonings are available for all tastes, or you can get creative and make your own. Whenever you make Jerky, you should cure the mixture with cure (sodium nitrite). The cure is used to help prevent botulism during drying at low temperatures. Follow the manufacturer's directions on the cure packet.

Keep raw meats and their juices away from other foods. Marinate meats in the refrigerator. Do not leave meats unrefrigerated. Prevent cross-contamination by storing dried jerky away from raw meat. ALWAYS wash hands thoroughly with soap and water before and after working with meat products. Use clean equipment and utensils.

Keep meat and poultry refrigerated at 40°F (4.4°C) or slightly below; use or freeze ground beef and poultry within 2 days; whole red meats, within 3 to 5 days. Defrost frozen meat in the refrigerator, not on the kitchen counter.

Special considerations must be made when using venison or other wild game, since it can become heavily contaminated during field dressing. Venison is often held at temperatures that could potentially allow bacteria to grow, such as when it is being transported. Refer to the USDA website for further information on food safety. (www.usda.gov or www.fsis.usda.gov/fact_sheets/index.asp)

When using a Dehydrator, check the temperature of the Dehydrator with a dial thermometer before drying jerky. The minimum recommended temperature for drying meats is 130°F (54°C). Temperatures below 130°F (54°C) are not recommended.

IMPORTANT: Before placing the meat in a Dehydrator, it is highly recommended to heat the meat to 160°F (71°C) BEFORE the dehydrating process. This step assures that any bacteria present will be destroyed by wet heat. After heating to 160°F (71°C), maintaining a constant Dehydrator temperature of 130-140°F (54-60°C) during the drying process is important because:

- 1.) the process must be fast enough to dry food before it spoils; and
- 2.) it must remove enough water so that microorganisms are unable to grow.

MAKING JERKY

If you are using a marinade, shake off excess liquid from the meat before spacing it evenly in single layers, approximately 1/4"-1/2" (0.6-1.5 cm) apart, on the Dehydrator Racks.

IMPORTANT NOTE: DO NOT place jerky over the center hole of the Racks. This will impede airflow to the center of the Cabinet and could result in uneven drying.

Dry meat at 145-150°F (62.7-65.6°F) for 4-7 hours. You may need to blot fat droplets from the surface of the meat occasionally, using a paper towel. Drying times may vary based on many circumstances including but not limited to: the relative humidity of the room, the temperature of the meat at beginning of drying process, the amount of meat in the dehydrator, leanness of meat, etc. Always allow jerky to cool before taste testing.

STORING JERKY

Wrap jerky/snack sticks in aluminum foil and store in a thick plastic food storage bag, or place jerky/snack sticks in a jar with a tight lid. Avoid storage in plastic containers or bags without wrapping in aluminum foil or wax paper first. Jerky/snack sticks should be stored in a dark, dry, place between 50-60°F (10-15.6°C). You can store properly dried jerky/snack sticks at room temperature for 1 to 2 months. To extend the shelf life to up to 6 months, store jerky/snack sticks in the freezer. Be sure to label and date all packages.

RECONSTITUTION

- While it is not necessary to reconstitute dried foods, it can be done with ease. Vegetables can be used as a side dish or in recipes very effectively after being reconstituted in the following way.
- Soak vegetables in cold, unsalted water for 3-7 minutes before cooking. If planning to soak the food any longer, it should be placed in the refrigerator while soaking. After soaking, it is best to cook the vegetables in the same water in which they soaked. Simply bring the water to a boil and cook the vegetables until tender.
- Generally 1 cup of dried vegetables will result in about 2 cups after reconstitution. Fruits reconstitute at a ratio of approximately 1:1-1/2 cups.
- Reconstitution time will vary depending on the thickness of the dried food and the temperature of the water used. Soaking the food in warmer water will speed up the process, however, it may result in loss of flavor.

SUMMARY

Remember drying food is as much an art as any other form of cooking. Once familiar with the basics, experiment to create unique dried foods.

Just remember the basics:

- The leaner the meat, the better the jerky
- Do not overlap food products on the drying racks
- Properly pre-treat fruits and vegetables
- Drying times will vary
- Blot excess moisture from surface of foods while drying
- Rotate racks if drying is uneven
- Always follow food safety guidelines for meats, poultry and fish to make sure the finished product is free of disease-causing bacteria

DRYING FLOWERS

- The flowers should be dry to start with, best if picked after the dew has dried and before the night damp sets in. Dry the flowers as soon as possible after picking.
- The best condition for drying flowers is a dry, warm, dark, clean and well ventilated area, which makes a dehydrator an ideal setting. Flowers will retain the best color and condition when dried quickly.
- A low temperature should be used to retain the natural oils.
- Strip off the leaves or if you prefer to keep the foliage. Discard any brown or damaged leaves.
- Place on the dehydrator **Rack** in a single layer, avoiding overlapping.
- Drying times will vary considerably depending on the size of the flower and the amount of foliage. Dry at 100°F (38°C).

FOOD SAFETY

There are basic rules to follow when handling food. They are **COOK, SEPARATE, CLEAN, and CHILL.**

COOK

It's crucial to cook food to a safe internal temperature to destroy bacteria that is present. The safety of hamburgers and other foods made with ground meat has been receiving a lot of attention lately, and with good reason. When meat is ground, the bacteria present on the surface is mixed throughout the ground mixture. If this ground meat is not cooked to at least 160°F to 165°F (71°C to 74°C), bacteria will not be destroyed and there's a good chance you will get sick.

Solid pieces of meat like steaks and chops don't have dangerous bacteria like E. coli on the inside, so they can be served more rare. Still, any beef cut should be cooked to an internal temperature of at least 145°F (63°C) (medium rare). The safe temperature for poultry is 165°F (75°C) and solid cuts of pork should be cooked to 145°F (63°C).

SEPARATE

Foods that will be eaten uncooked and foods that will be cooked before eating **MUST ALWAYS** be separated. Cross-contamination occurs when raw meats or eggs come in contact with foods that will be eaten uncooked. This is a major source of food poisoning. Always double-wrap raw meats and place them on the lowest shelf in the refrigerator so there is no way juices can drip onto fresh produce. Then use the raw meats within 1-2 days of purchase, or freeze for longer storage. Defrost frozen meats in the refrigerator, not on the counter.

When grilling or cooking raw meats or fish, make sure to place the cooked meat on a clean platter. Don't use the same platter you used to carry the food out to the grill. Wash the utensils used in grilling after the food is turned for the last time on the grill, as well as spatulas and spoons used for stir-frying or turning meat as it cooks.

Make sure to wash your hands after handling raw meats or raw eggs. Washing hands with soap and water, or using a pre-moistened antibacterial towelette is absolutely necessary after you have touched raw meat or raw eggs. Not washing hands and surfaces while cooking is a major cause of cross-contamination.

CLEAN

Wash your hands and work surfaces frequently when you are cooking. Washing with soap and warm water for at least 15 seconds, then dry with a paper towel.

CHILL

Chilling food is very important. The danger zone where bacteria multiply is between 40°F and 140°F (4°C and 6°C). Your refrigerator should be set to 40°F (4°C) or below; your freezer should be 0°F (-17°C) or below. Simple rule: serve hot foods hot, cold foods cold. Use chafing dishes or hot plates to keep food hot while serving. Use ice water baths to keep cold foods cold. Never let any food sit at room temperature for more than 2 hours - 1 hour if the ambient temperature is 90°F (32°C) or above. When packing for a picnic, make sure the foods are already chilled when they go into the insulated hamper. The hamper won't chill food - it just keeps food cold when properly packed with ice. Hot cooked foods should be placed in shallow containers and immediately refrigerated so they cool rapidly. Make sure to cover foods after they are cool.

NOTE: Special considerations must be made when using venison or other wild game, since it can become heavily contaminated during field dressing. Venison is often held at temperatures that could potentially allow bacteria to grow, such as when it is being transported. Refer to the USDA Meat and Poultry Department for further questions or information on meat and food safety.



TWO-YEAR LIMITED WESTON WARRANTY

This warranty applies to products purchased and used in the U.S. and Canada, which have been properly registered within 30 days of the date of original purchase. This is the only express warranty for this product and is in lieu of any other warranty or condition. This product is warranted to be free from defects in material and workmanship for a period of two (2) years from the date of original purchase. During this period, your exclusive remedy is repair or replacement of this product or any component found to be defective, at our option.

To register your product: complete the online form at www.WestonProducts.com/Warranty.

This warranty does not cover unregistered products, unauthorized repairs or service to products, products sold "as-is" by retailers, glass, filters, wear from normal use, use not in conformity with the printed directions, or damage to the product resulting from accident, alteration, abuse, or misuse. This warranty extends only to the original consumer purchaser or gift recipient and is not transferrable. Keep the original sales receipt, as proof of purchase is required to make a warranty claim.

We exclude all claims for special, incidental and consequential damages caused by breach of express or implied warranty. All liability is limited to the amount of the purchase price. Every implied warranty, including any statutory warranty or condition of merchantability or fitness for a particular purpose, is disclaimed except to the extent prohibited by law, in which case such warranty or condition is limited to the duration of this written warranty. This warranty gives you specific legal rights. You may have other legal rights that vary depending on where you live. Some states or provinces do not allow limitations on implied warranties or special, incidental, or consequential damages, so the foregoing limitations may not apply to you.

Before returning the product for any repair or service: it must be clean and free from any food particles or other debris; otherwise, we will return it or impose a \$50 cleaning surcharge, at our option.

To make a warranty claim: go to www.WestonProducts.com/Contact; or call 1.800.814.4895 in the U.S. and 001.216.901-6801 outside the U.S., Monday – Friday, 8 am – 5 pm Eastern. You are responsible for all costs associated with shipping us the product freight prepaid. If the product qualifies for a warranty repair or replacement, we will bear the cost of returning it to you. We are not responsible for shipping damage.

For non-warranty work: call 1.800.814.4895 in the U.S. and 001.216.901.6801 outside the U.S., Monday – Friday, 8 am – 5 pm Eastern, to obtain a Return Merchandise Authorization Number (RMA Number). We will refuse all returns without an RMA Number. We charge US\$35/hour for all diagnostic, service, repair and processing work. We will not start any service or repair work without prior authorization. You are responsible for all costs associated with shipping us the product freight prepaid and our returning it to you.



DESHIDRATADOR DE ALIMENTOS

PRO-1200 28-0301-W (80 L)

PRO-2400 28-0501-W (160 L)

DEBIDO A CONSTANTES MEJORAS EN LA FÁBRICA, EL PRODUCTO QUE SE MUESTRA PUEDE SER LIGERAMENTE DIFERENTE DEL PRODUCTO EN ESTA CAJA. 020416

 ¡IMPORTANTE!

Este electrodoméstico es un deshidratador, no un horno. Tiene por fin secar, no cocinar. La operación de un deshidratador no es igual a la de un horno.

- ANTES de deshidratar, caliente la carne a una temperatura interna de 160 °F (71°C) y las aves de corral a 165 °F (74 °C) en un horno para eliminar cualquier bacteria que pueda estar presente.
- Caliente la carne o el ave de corral en un HORNO, no en el deshidratador.
- En teoría, Set temperature (temperatura establecida) es solo la máxima temperatura alcanzada durante un ciclo de calentamiento. Set temperature (temperatura establecida) no se mantiene.

- Según una variedad de factores, que incluyen las condiciones ambientales, el estado de los alimentos que se secan y la fuente de alimentación, es probable que no se pueda alcanzar la Set temperature (temperatura establecida).
- Para obtener un máximo rendimiento: no utilice cables de extensión; opere el deshidratador en una zona donde la temperatura supere los 70 °F (21 °C); desconecte otros electrodomésticos del circuito eléctrico donde conecta el deshidratador; asegúrese de que la puerta esté completamente cerrada y sin espacios en las juntas; conecte el deshidratador a un circuito eléctrico protegido por un interruptor automático de 20 amperios.
- NO use el deshidratador en exteriores.
- Lea y comprenda todas las instrucciones y advertencias antes de usar el deshidratador.

REGLAS IMPORTANTES DE SEGURIDAD

LEA Y ENTIENDA COMPLETAMENTE TODAS LAS INSTRUCCIONES Y ADVERTENCIAS ANTES DE UTILIZAR ESTA UNIDAD. ¡SU SEGURIDAD ES LO MÁS IMPORTANTE! NO SEGUIR LOS PROCEDIMIENTOS Y PRECAUCIONES PUEDE PROVOCAR LESIONES GRAVES Y DAÑOS MATERIALES. RECUERDE: ¡SU SEGURIDAD PERSONAL ES RESPONSABILIDAD DE USTED!

1. **SIEMPRE DESCONECTE** el **deshidratador** de la fuente de alimentación antes de dar mantenimiento, cambiar accesorios o limpiar la unidad.

2. **UTILICE SIEMPRE UN CIRCUITO ELÉCTRICO ESPECÍFICO SEPARADO** para suministrar energía a este **deshidratador**. El circuito debe tener como mínimo un cable de calibre n.º 12 y DEBE estar protegido con un interruptor automático de 20 amperios. Si no está seguro de su sistema eléctrico, contacte a un electricista calificado. La falta de revisión de su sistema eléctrico, podría provocar un incendio, lesiones o daños materiales. La unidad no se calentará a la Set temperature (temperatura establecida) a menos que se realice este paso.

3. **NUNCA DEJE EL DESHIDRATADOR SIN SUPERVISIÓN**. Manténgase seguro, **DESCONECTE** el **deshidratador** de la fuente de alimentación antes de dejar el área de trabajo. Se necesita una estricta supervisión cuando se use el aparato cerca de los niños. Este aparato **NO** es para ser usado por niños.

4. Reduzca el riesgo de arranques no intencionados. Asegúrese de que el interruptor de **Power** (alimentación) esté en la posición "OFF" (apagado) antes de conectarlo a la fuente de alimentación. Para desconectar, ajuste todo control a apagado, luego retire el enchufe del tomacorriente

5. **NO USE** el **deshidratador** si el **cable de alimentación, el enchufe** o cualquier otra parte está dañada. Si el **cable de alimentación del deshidratador** está dañado, póngase en contacto con el departamento de Atención al Cliente. **NO INTENTE REEMPLAZAR EL CABLE**. Asegúrese de no permitir que el **cable de alimentación** cuelgue en su área de trabajo. Verifique que todas las piezas funcionen correctamente y cumplan sus funciones. Verifique la alineación de las piezas móviles o cualquier otra condición que pueda afectar el funcionamiento.

6. **NUNCA** use accesorios o partes de otros fabricantes. Hacerlo **ANULARÁ SU GARANTÍA** y puede causar un incendio, una descarga eléctrica o una lesión.

7. El fabricante no se hace responsable por el uso inadecuado del **deshidratador**. El uso inadecuado del **deshidratador** anula la garantía.

8. La reparación del sistema eléctrico debe ser realizada por un distribuidor autorizado. Utilice solo los accesorios y repuestos de fábrica originales. La modificación del **deshidratador** anula la garantía.

9. Asegúrese de que el **deshidratador** esté en una superficie estable de trabajo. Asegúrese que todas las **patas del deshidratador** estén estables. Asegure las **ruedas** (si corresponde) antes de su uso.

10. **NO** lo utilice al aire libre.

11. Este deshidratador contiene conductos de entrada y escape en la parte posterior de la unidad. Mantenga todos los objetos y las paredes a una distancia mínima

de 6" (15 cm) de todos los lados del **deshidratador**.

12. **NO** opere el deshidratador en ninguna superficie inflamable como alfombras o pisos de madera. **MANTÉNGASE SEGURO** y use el deshidratador sobre un bloque de cemento o piso de concreto.

13. **PARA PROTEGERSE DE UNA DESCARGA ELÉCTRICA: No sumerja el cable, los enchufes o DESHIDRATADOR EN EL AGUA O LÍQUIDO. ANTES DE LIMPIAR EL DESHIDRATADOR ASEGÚRESE QUE ESTÉ DESCONECTADO DE LA FUENTE DE PODER.** Lave a mano y seque bien todas las piezas. Limpie bien todas las piezas que entran en contacto con los alimentos antes de usar el electrodoméstico. **NUNCA** enjuague el aparato **deshidratador** con una manguera o echando agua, solo utilice un paño húmedo para limpiar el **deshidratador**. **NO** use el deshidratador cuando tenga las manos mojadas o esté descalzo. **NO** lo use cerca del agua.

14. **NO** permita que gotee agua dentro del **difusor**, pueden producirse daños en el **elemento calentador**. **NO** retire el **difusor del gabinete**. La integridad del ensamblado se verá afectada y podría anular la garantía. Siga las instrucciones de limpieza del **difusor** después de CADA uso.

15. Después de limpiar, asegúrese de que el **deshidratador** esté completamente seco antes de volver a conectarlo a la fuente de alimentación – de lo contrario; pueden producirse **DESCARGAS ELÉCTRICAS** y ocasionar lesiones personales.

16. No seguir las instrucciones de limpieza y mantenimiento disminuirá la vida útil de su **deshidratador** ocasionando graves defectos en el funcionamiento del producto, lesiones graves o daños materiales.

17. **NO lo coloque sobre o cerca de una hornilla de gas o eléctrica, o en un horno caliente.** **NO** permita que el cable de alimentación cuelgue sobre el deshidratador o superficies calientes.

18. **ATENCIÓN. Algunas superficies del deshidratador pueden CALENTARSE excesivamente durante su uso. Esto puede ocasionar lesiones graves.** **NO** toque estas partes durante la operación o hasta que se enfrien después del uso.

19. **NO** intente operar el **deshidratador** si el propio **deshidratador** está frío. La temperatura del **deshidratador** debe estar por lo menos a 45 °F (7 °C) antes de iniciar.

20. **NO** utilice el **deshidratador** bajo la influencia de drogas, medicamentos o alcohol.

21. No use el aparato para otro uso que pretende.

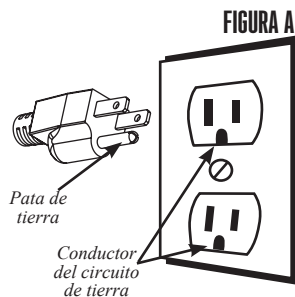
22. Debe tener mucho cuidado al mover un aparato o pieza que contenga aceite u otros líquidos calientes.

¡GUARDE ESTAS INSTRUCCIONES!

INSTRUCCIONES PARA HACER TIERRA

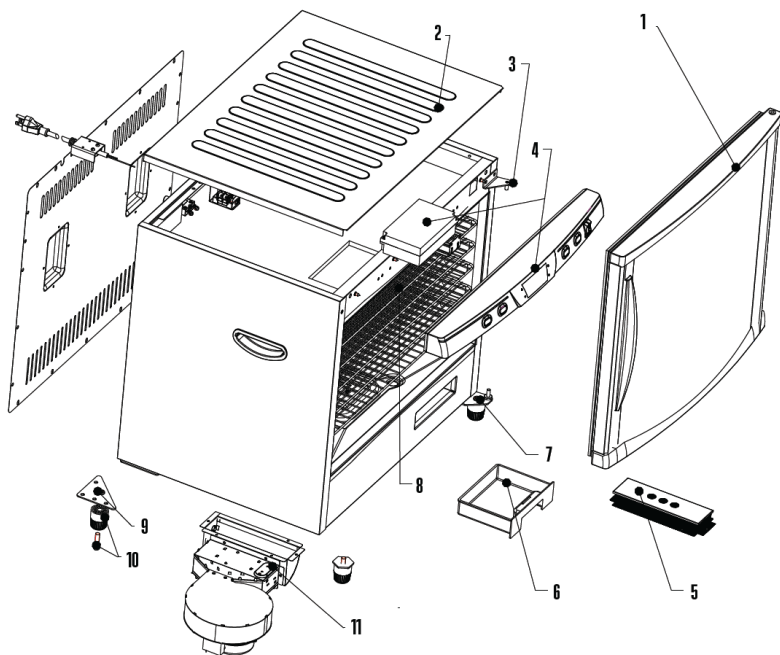
ATERRIZADO

Este aparato debe estar aterrizado para proteger al operario de choques eléctricos. El aparato está equipado con un cable de 3 conductores y una clavija de tierra de tres patas que entra en un tomacorriente aterrizado apropiado. El aparato tiene una clavija que se ve como la figura A.

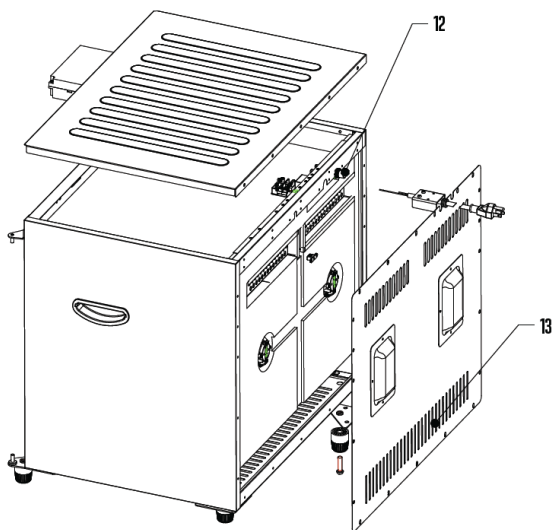




¡ADVERTENCIA. ¡Antes de limpiar, armar o desarmar el deshidratador, asegúrese que se haya **RETIRADO EL ENCHUFE DEL TOMACORRIENTE O FUENTE DE ALIMENTACIÓN. SIEMPRE desconecte el deshidratador cuando no esté en uso.**



BACK VIEW



LISTA DE COMPONENTES

NÚMERO DE DIAGRAMA	DESCRIPCIÓN DE LA PIEZA	28-0301-W	28-0501-W
1	PUERTA	28-0404-W	28-0504-W
2	PANEL SUPERIOR	28-0506	28-0506
N/A	PANEL INFERIOR (SIN FOTO)	28-0307	28-0307
3	BISAGRA SUPERIOR DE LA PUERTA	28-0333	28-0333
4	TABLERO DE COMPUTADORA PRINCIPAL Y PANEL DE CONTROL	28-0513	28-0513
5	DIFUSOR	28-0311	28-0331
N/A	DIFUSOR DEL PANEL POSTERIOR	N/A	28-0330
6	BANDEJA DE GOTEÓ	28-0519	28-0519
7	BISAGRA INFERIOR DE LA PUERTA	28-0334	28-0334-N
8	REJILLA ANTIADHERENTE - JUEGO DE 12	28-0313	28-0313 (2 JUEGOS INCLUIDOS)
9	ESCUADRA PARA ESQUINA INFERIOR TRASERA (2)	28-0336	28-0336-N
N/A	SOPORTE PARA PATA DELANTERA (SIN FOTO)	28-0332	28-0332-N
10	JUEGO DE PATA (INCLUYE 4 PATAS Y PERNO)	28-0308	N/A
N/A	JUEGO DE RUEDA (INCLUYE 4 RUEDAS Y TUERCAS)	N/A	28-0508
11	VENTILADOR Y ELEMENTO CALENTADOR	28-0302	28-0302
12	INTERRUPTOR AUTOMÁTICO	28-0379	28-0379
13	PANEL POSTERIOR	28-0305	28-0505
N/A	COLGADOR PARA PALITOS DE BOCADILLOS (SIN FOTO)	28-0322	28-0322-N

Si cualquier componente de esta unidad está roto, si no funciona debidamente, o si necesita un instructivo de repuesto, visítenos en la web en

WestonProducts.com

O llame a Weston Brands LLC larga distancia sin costo 1-800-814-4895
De lunes a viernes, de 8:00 a.m. a 5:00 p.m. tiempo del ET. Fuera de Estados Unidos llame al 001-216-901-6801

INSTRUCCIONES DE ENSAMBLADO PARA 80 L

1. Asegúrese de apagar y desenchufar el deshidratador.
2. Retire las rejillas y cualquier otro elemento suelto del interior y cierre la puerta.
3. Coloque el deshidratador cuidadosamente sobre su lado izquierdo (cuando esté al frente de la puerta) sobre una alfombra u otro artículo similar para evitar rayarlo. NUNCA deje el deshidratador sobre su lado derecho o delantero a fin de evitar daños en la puerta, panel de control y/o interruptor automático.
4. Inserte el perno para pata en los orificios de la parte inferior de las patas hasta que las roscas de los pernos sobresalgan. Enrosque los pernos y las patas en los soportes para pata delantera.
5. Ajuste los pernos para pata con un desarmador.
6. Mientras mantenga la puerta cerrada, coloque cuidadosamente el deshidratador en posición vertical sobre las patas.

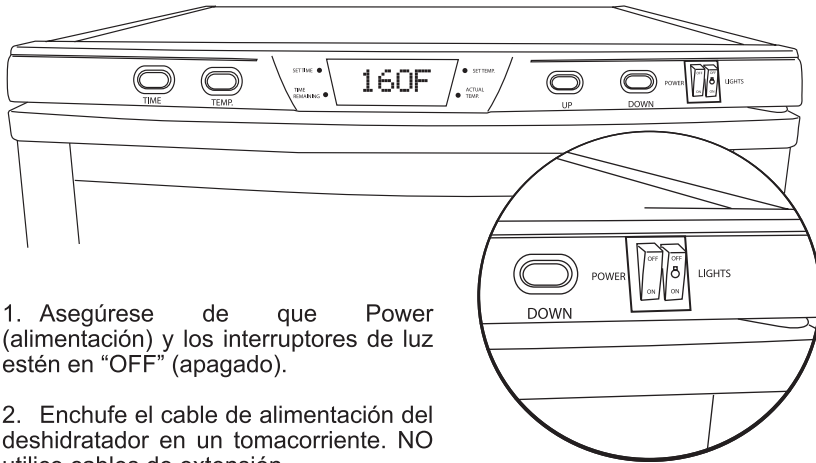
INSTRUCCIONES DE ENSAMBLADO PARA 160 L

1. Siga los pasos 1-3 anteriores.
2. Atornille una tuerca de rueda (sujeta a la rueda para el transporte) en el tallo roscado de cada rueda hasta que se detenga.
3. Atornille las ruedas giratorias en las escuadras para la esquina inferior trasera hasta que se detenga. CONSEJO: Sostenga la estructura de la rueda con una mano y gire el pivote con la otra mano.
4. Atornille las ruedas giratorias con los frenos en los soportes para pata delantera hasta el fondo.
5. Ajuste cada tuerca de la rueda con una llave inglesa de 12 mm (1/2"). Gire las tuercas de la rueda hacia la derecha. Lo que se desea es ajustarlas al deshidratador, no a las ruedas. NO las apriete demasiado.
6. Inspeccione la brecha entre la puerta y la escuadra para pata izquierda delantera para asegurarse de que el tallo de la rueda no haga contacto con la parte inferior de la puerta. Si hay contacto, afloje la tuerca de la rueda y desplace la rueda hacia abajo. Atornille la tuerca de la rueda en el tallo de la rueda, pero no la atornille hasta el fondo. Deje un pequeño espacio para acortar el tallo que sobresale a través del soporte para pata. Vuelva a instalar la rueda como se detalló anteriormente.
7. Mientras la puerta esté cerrada, mantenga cuidadosamente deshidratador en posición vertical sobre las ruedas.

INSTRUCCIONES DE PREFUNCIONAMIENTO

- NO opere el deshidratador sin las patas/ruedas instaladas.
- Coloque el deshidratador en una superficie limpia, nivelada, seca, no inflamable a una distancia mínima de 6" (15 cm) de cualquier pared. Evite las superficies alfombradas.
- Ajuste los frenos en las dos ruedas giratorias delanteras montadas (modelo 160-L).

INSTALACIÓN

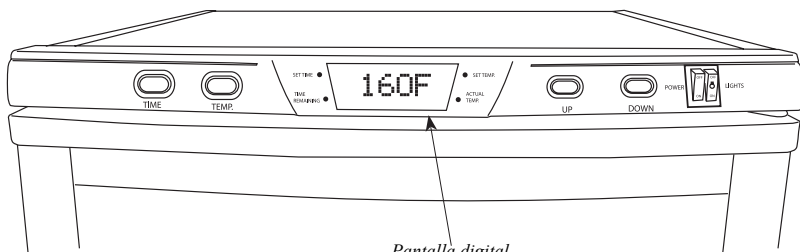


1. Asegúrese de que Power (alimentación) y los interruptores de luz estén en "OFF" (apagado).
2. Enchufe el cable de alimentación del deshidratador en un tomacorriente. NO utilice cables de extensión.
3. Ajuste el interruptor de alimentación en "ON" (encendido).
4. Llene las rejillas con alimentos u otros artículos a secar.
5. Cargue las rejillas en el deshidratador. Empuje cada rejilla hasta el fondo.

IMPORTANTE: Hay tres rejillas con muescas. Coloque estas rejillas (con la muesca en la parte posterior) en los tres soportes superiores de la rejilla. Las muescas impiden que las rejillas toquen el sensor de temperatura en la parte posterior interna de la pared cerca a la parte superior. Cualquier contacto entre estas partes puede causar lecturas de temperatura falsas y/o irregularidades del ciclo.

6. Cierre la puerta, presione firmemente la puerta para asegurar que esté bien cerrada.

PROGRAMACIÓN



Pantalla digital

7. **PARA AJUSTAR EL TIEMPO:** Presione el botón “TIME” (tiempo) en el panel de control una vez. Utilice los botones “UP” (subir) y “DOWN” (bajar) que se encuentran en el lado derecho del panel de control para ajustar las horas del temporizador regresivo (máximo 23 horas). Presione el botón “TIME” (tiempo) de nuevo para cambiar a minutos. Del mismo modo ajuste los minutos (incrementos de 5 minutos).

8. **PARA AJUSTAR LA TEMPERATURA:** Presione el botón “TEMP” (temperatura) una vez. Utilice los botones “UP” (subir) y “DOWN” (bajar) para establecer la temperatura (160 °F máximo, mínimo 50 °F, incrementos de 5 grados).

NOTA: Set Temperature (temperatura establecida) es la temperatura máxima que el deshidratador podría alcanzar durante el funcionamiento.

9. No es necesario que presione ningún otro botón. El deshidratador se iniciará automáticamente después de una breve pausa. **NOTA:** El deshidratador se encenderá si usted se demora al realizar la programación. No se preocupe, esto es normal. Solo continúe la programación como se indica anteriormente.

FUNCIÓN

10. La pantalla digital en el panel de control funcionará continuamente mientras la unidad está en funcionamiento. Se mostrará alternativamente: el tiempo de secado preestablecido “TIME SET” (tiempo establecido); el tiempo de secado restante “TIME REMAINING” (tiempo restante); la temperatura preestablecida “SET TEMP.” (temperatura establecida); y la temperatura real actual dentro del deshidratador “TEMP ACTUAL” (temperatura real) (medida por el sensor de temperatura que se encuentra en la pared trasera, cerca de la parte superior).

NOTA: “SET TEMP.” (temperatura establecida) es solo la máxima temperatura alcanzada durante un ciclo de calentamiento. “SET TEMP.” (temperatura establecida) NO se mantiene.

11. El deshidratador emitirá 8 pitidos al inicio y cuando la temperatura interior alcance el valor preestablecido.

12. El deshidratador se detiene automáticamente (ventilador y calentador) cuando el temporizador regresivo llegue a 0. Sin embargo, la alimentación de la unidad permanecerá encendida.

OPERACIÓN POSTERIOR

13. Ajuste el interruptor de encendido en "OFF" (apagado) cuando haya terminado.
14. Desenchufe el deshidratador cuando no esté en uso.
15. Limpie el deshidratador después de cada uso, especialmente el difusor. Consulte la sección "INSTRUCCIONES DE LIMPIEZA" en este manual.

INSTRUCCIONES DE FUNCIONAMIENTO

- El propósito de este deshidratador es secar, no cocinar. No funciona de la misma manera que un horno. Su funcionamiento y rendimiento no deben compararse a los de un horno.
- "SET TEMP." (temperatura establecida) del deshidratador solo es la temperatura máxima que se alcanza durante un ciclo de calentamiento. Es la temperatura en la que el calentador se apaga. El ventilador seguirá funcionando. La calefacción se reanuda cuando la temperatura desciende de 5 a 10 grados por debajo de la "SET TEMP." (temperatura establecida).
- La temperatura máxima a la que puede establecer el deshidratador es 160 °F (71 °C). El deshidratador puede o no puede llegar a la Set Temperature (temperatura establecida) dependiendo de varios factores, incluyendo: la temperatura en la zona donde el deshidratador está funcionando; si se está utilizando o no un cable de extensión; si el deshidratador está o no está compartiendo el circuito eléctrico con otros electrodomésticos; la consistencia, la temperatura y el contenido de humedad de alimentos; la cantidad y la posición de los alimentos en las rejillas.
- Para obtener un máximo rendimiento del deshidratador: NO utilice cables de extensión; opere el deshidratador en un área donde la temperatura esté por encima de 70 °F (21 °C); desconecte todos los otros electrodomésticos del circuito eléctrico al que se conecta el deshidratador; asegúrese de que la puerta esté completamente cerrada y sin espacios en las juntas; conecte el deshidratador a un circuito eléctrico protegido por un interruptor automático de 20 amperios.

INSTRUCCIONES DE LIMPIEZA

ADVERTENCIA. Antes de limpiar, ensamblar o desarmar el deshidratador, asegúrese de que el deshidratador esté **APAGADO** y de que se haya **RETIRADO EL ENCHUFE DEL TOMACORRIENTE O DE LA FUENTE DE ALIMENTACIÓN.**

- **¡IMPORTANTE!** Limpie el **deshidratador** después de CADA uso. NO utilice limpiadores abrasivos. Las **rejillas** NO pueden lavarse en el lavavajillas.
- **¡ADVERTENCIA!** NO sumerja el deshidratador en agua. NO rocíe el deshidratador con agua. NO permita que gotee agua al interior del difusor.
- NO permita que la grasa se acumule en el interior del deshidratador, especialmente en el difusor. Puede causar daños a los componentes o provocar un incendio.
- Apague y desenchufe el deshidratador. Deje que el deshidratador se enfríe. Limpie las rejillas, el interior y exterior del gabinete, el difusor, la puerta y la bandeja de goteo como se describe a continuación.

REJILLAS ANTIADHERENTE

Lave las rejillas a mano con un cepillo suave en agua tibia y jabón. Enjuague y seque con una toalla. Asegúrese de que las rejillas estén completamente secas antes de colocarlas nuevamente en el deshidratador.

INTERIOR DEL GABINETE

Limpie el interior del gabinete y los soportes de las rejillas con un paño moderadamente húmedo y jabón si es necesario. NO utilice limpiadores abrasivos. Limpie cualquier residuo si se utiliza jabón. **PRECAUCIÓN:** NO permita que gotee agua al interior del difusor. Puede provocar una descarga eléctrica o daños en la unidad. Si es necesario, cubra el difusor con una toalla seca durante la limpieza del interior del gabinete y los soportes de las rejillas.

EXTERIOR DEL GABINETE

Limpie el exterior del gabinete con un paño moderadamente húmedo y jabón si es necesario. Limpie cualquier residuo si se utiliza jabón.

DIFUSOR

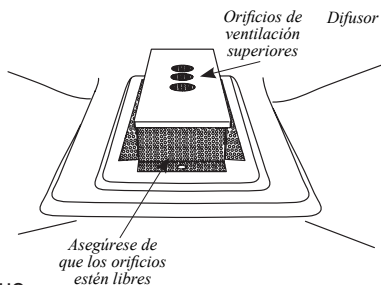
Limpie la parte superior y los lados del difusor con un paño ligeramente húmedo y jabón si es necesario. NO utilice limpiadores abrasivos. Retire cualquier residuo si se utiliza jabón.

PRECAUCIÓN: NO permita que gotee agua al interior del difusor. Puede provocar una descarga eléctrica o daños en la unidad.

Inspeccione los orificios de ventilación en los laterales y la parte superior del difusor. Todos los orificios deben estar limpios y completamente abiertos.

Utilice un mondadientes u otro objeto puntiagudo para eliminar cualquier residuo.

Tenga cuidado de no arrojar residuos al interior del difusor.



PUERTA DEL GABINETE

Limpie la puerta y la junta con un paño moderadamente húmedo y jabón si es necesario. Limpie cualquier residuo si se utiliza jabón. Limpie el vidrio con un trapo o toallas de papel y un limpiador de vidrios.

BANDEJA DE GOTEÓ

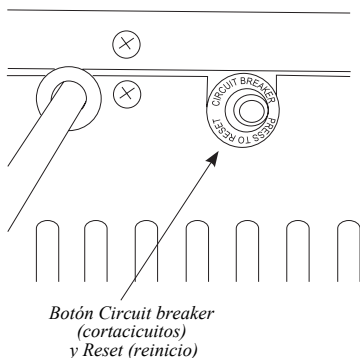
Primero vacíe y luego lave la bandeja de goteo con agua tibia y jabón. Enjuague y seque la bandeja de goteo antes de volver a instalarla en el deshidratador.

SOLUCIÓN DE PROBLEMAS

El deshidratador se apaga y no se reiniciará.

- Apague el deshidratador y desconecte el cable de alimentación del tomacorriente. Presione el botón en el Circuit Breaker (cortacircuitos) (ubicado en la parte posterior del deshidratador cerca de la parte superior) para reiniciarlo.

- Verifique el interruptor automático de la casa que controla el tomacorriente al que ha conectado el deshidratador. Asegúrese de que el interruptor sea de 20 amperios y que no haya otros electrodomésticos utilizándose al mismo tiempo. Reinicielo, si es necesario.



Secado desigual o incompleto.

- No tape los orificios centrales de las rejillas.
- Voltee las rejillas cada 45 a 90 minutos, dependiendo de los alimentos que se están secando. Mueva la rejilla superior hacia la parte inferior. Suba todas las otras rejillas un estante. Alterne las rejillas.
- No llene de productos alimenticios. La distancia entre los productos en las rejillas es de 1/2" a 1" (1.3 a 2.5 cm).
- Aumente el tiempo de secado y temperatura.
- No obstruya los conductos de ventilación en la parte inferior del deshidratador.
- Mantenga el deshidratador a una distancia mínima de 6" (15.2 cm) de cualquier pared.

Si las sugerencias anteriores no resuelven el problema que tiene con el deshidratador, póngase en contacto con el departamento de Atención al Cliente al número que aparece en la parte posterior de este manual para obtener información adicional y otra información sobre solución de problemas.

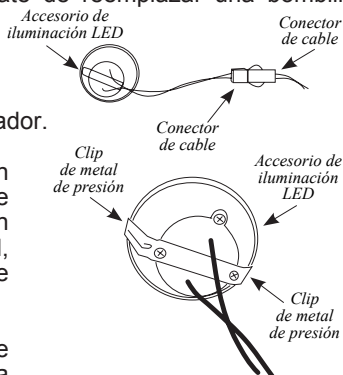
REEMPLAZO DE LA BOMBILLA

ADVERTENCIA. Antes de limpiar, ensamblar o desarmar el deshidratador, asegúrese de que el deshidratador esté APAGADO y de que se haya RETIRADO EL ENCHUFE DEL TOMACORRIENTE O DE LA FUENTE DE ALIMENTACIÓN.

1. Apague las luces del deshidratador. Apague y desconecte el deshidratador del tomacorriente.
2. Deje enfriar el deshidratador. NO trate de reemplazar una bombilla mientras el deshidratador está caliente.

3. Retire todas las rejillas.
4. Retire el panel posterior del deshidratador.

5. Busque el accesorio de iluminación LED que desea reemplazar y desconecte los cables del accesorio de iluminación del conector de cable blanco de la unidad, ajustando los dos clips en el conector de cable.



6. Presione juntos los dos lados del clip de metal en el accesorio de iluminación para liberarlo del cuerpo del deshidratador y luego empuje cuidadosamente el accesorio de iluminación en el gabinete de la unidad, asegurándose de tener un control sobre los cables conectados al accesorio de iluminación para que no se caiga en el gabinete del deshidratador. Deseche el accesorio de iluminación que se retiró.

7. Inserte el accesorio de iluminación de reemplazo en el orificio vacío donde se encontraba el accesorio de iluminación anterior, alimentando primero el cable conectado al accesorio de iluminación.

8. Alinee el accesorio de iluminación con el orificio y presiónelo de nuevo hasta que los clips de metal de la parte posterior del accesorio de iluminación encajen en su lugar.

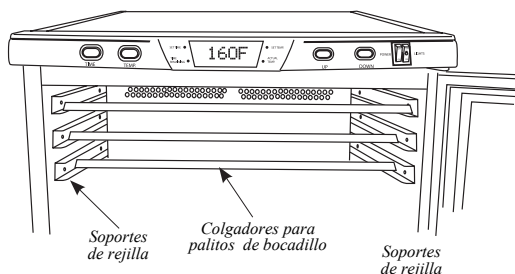
9. Vuelva a conectar el conector de cable sujeto al accesorio de iluminación con el conector de cable conectado al accesorio de iluminación anterior presionándolos hasta que encajen.

10. Alinee el panel posterior del deshidratador y vuelva a instalar los tornillos retirados para montar el panel posterior.

CONSEJOS DE SECADO

SALCHICHA O PALITOS DE BOCADILLO:

Utilice el colgador para palitos de bocadillo para colgar y secar las salchichas y los palitos de bocadillo. Después de retirar todas las rejillas de su deshidratador, simplemente cuelgue las salchichas en los colgadores para palitos de bocadillo y colóquelas en los soportes de la rejilla superior. Asegúrese de no permitir que las salchichas se queden en la parte inferior del gabinete o en la parte superior del difusor.



CARNES MOLIDAS: Cuando prepare cecina de carne molida, puede utilizar una pistola de cecina o dicha herramienta para crear tiras de carne seca perfectas, así como palitos de bocadillo.

CARNE DE RES: Elija cortes de la falda, pierna o solomillo, ya que son los mejores cortes de carne de res para hacer cecina.

CAZA SILVESTRE: La carne de venado es una excelente opción para hacer cecina, ya que no contiene grasa marmolada. Los cortes de la falda o pierna funcionan mejor. Las carnes de oso y alce también permiten hacer cecina de muy buena calidad.

AVES DE CORRAL: Al preparar cecina de pollo o pavo, es importante que la carne que se va a cocinar se caliente a una temperatura interna de 165 °F (74 °C) antes de la deshidratación para eliminar las bacterias que causan enfermedades.

PESCADO: El secado del pescado para convertirlo en cecina requiere de mucho cuidado. Se debe limpiar y quitar las espinas adecuadamente y enjuagar por completo para asegurar que se limpió toda la sangre. Cueza al vapor u hornee el pescado a 200 °F (93 °C) hasta que tenga consistencia de hojaldre antes de deshidratar.

CONSEJOS DE SECADO

Al igual que con la mayoría de los métodos de cocción, una buena preparación es fundamental para tener éxito. Siguiendo algunas pautas básicas aumentará en gran medida la calidad del producto deshidratado y disminuirá el tiempo requerido para hacerlo.

NOTA: Antes de deshidratar, caliente la carne a una temperatura interna de 160 °F (71 °C) y las aves de corral a 165 °F (74 °C) en un horno para eliminar cualquier bacteria que pueda estar presente. Caliente la carne o ave de corral en un horno, no en el deshidratador.

- Para evitar que la fruta se oscurezca, sumérgala brevemente en rodajas de limón o jugo de piña antes del secado. También puede remojar trozos de fruta en ácido ascórbico, el cual se vende en la mayoría de las farmacias y tiendas naturistas en forma de polvo o tableta. Prepare una solución de ácido ascórbico de acuerdo con las instrucciones del fabricante. Remoje las rebanadas de fruta en la solución de 2 a 3 minutos antes de la deshidratación.
- Escalde con agua o vapor* las verduras antes del secado para detener la acción enzimática. Para el escaldado con agua, coloque las verduras directamente en el agua hirviendo y tape. Sáquelas después de tres minutos. Para el escaldado con vapor, coloque las verduras en una vaporera y cocine al vapor de 3 a 5 minutos.
- Mantenga un espesor uniforme al rebanar los alimentos que se van a deshidratar. Esto asegurará que los productos se sequen a la misma velocidad.
- El espesor máximo del corte de frutas y verduras debe ser de 1/4" (0.7 cm) a menos que se especifique lo contrario en una receta.
- El espesor máximo del corte de carnes debe ser de 3/16" (0.5 cm) a menos que se especifique lo contrario en una receta.
- La carne magra es un mejor producto que la carne con grasa.
- Marine la carne antes de calentarla y deshidratarla.
- Los alimentos se reducen a la mitad o más durante la deshidratación. Una libra de carne, por ejemplo, rendirá 1/2 a 1/3 lb (0.15 a 0.2 kg) de cecina. No corte piezas demasiado pequeñas.
- Almacene alimentos secos en un recipiente cerrado en un lugar oscuro, fresco y seco. La mejor temperatura de almacenamiento oscila entre 50 °F y 60 °F (10 ° y 16 °C). Los alimentos secos deberían conservar su frescura durante meses cuando se almacena de esta manera.
- El tiempo que se necesita en realidad para secar un alimento depende de muchos factores incluyendo el contenido de la humedad, el contenido de grasa, el espesor y la temperatura del alimento, así como la humedad ambiental y la temperatura.
- Posiblemente se formen gotas de agua en la superficie de la carne y otros productos mientras se secan. Seque los productos alimenticios ocasionalmente para remover las gotas.

*No es necesario escaldar todos los vegetales. Revise la receta o una guía de secado.

PREPARACIÓN DE LA CECINA

La carne debe ser lo más delgada posible. El uso de la carne magra le ayudará a que la carne se seque más rápido y ayudará en la limpieza por la disminución de los goteos de grasa. La carne molida debe ser de 80% a 90% magra. Las carnes de pavo, venado, búfalo y alce molidas son otras opciones excelentes para hacer cecina.

Los condimentos para la cecina están disponibles para todos los gustos, o puede dejarse llevar por su creatividad y preparar el suyo. Siempre que haga cecina, debe curar la mezcla con la curación (nitrito de sodio). La curación se utiliza para ayudar a prevenir el botulismo durante el secado a bajas temperaturas. Siga las instrucciones del fabricante que se encuentran en el paquete de curación.

Conserve las carnes crudas y sus jugos alejados de otros alimentos. Deje las carnes marinadas en el refrigerador. No deje las carnes sin refrigerar. Evite la contaminación cruzada mediante el almacenamiento de cecina seca lejos de la carne cruda. SIEMPRE lávese las manos cuidadosamente con agua y jabón antes y después de trabajar con los productos cárnicos. Use equipos y utensilios limpios.

Mantenga la carne y aves refrigeradas a una temperatura igual o ligeramente inferior a 40 °F (4.4 °C); utilice o congele la carne molida y las aves dentro de 2 días; las carnes rojas enteras, de 3 a 5 días. Descongele la carne congelada en el refrigerador, no en el mostrador de la cocina.

Se deben tomar en cuenta consideraciones especiales cuando se utiliza la carne de venado o de otro tipo de caza silvestre, ya que puede llegar a contaminarse durante el sangrado, despellejado y limpieza de la pieza. A menudo, la carne de venado se mantiene a temperaturas que podrían permitir que las bacterias se multipliquen, como cuando se está transportando. Consulte el sitio web del USDA para obtener mayor información sobre la seguridad alimentaria. (www.usda.gov o www.fsis.usda.gov/fact_sheets/index.asp)

Al utilizar un deshidratador, verifique la temperatura del deshidratador con un termómetro de aguja antes de secar la cecina. La temperatura mínima recomendada para el secado de carnes es de 130 °F (54 °C). No se recomiendan las temperaturas inferiores a 130 °F (54 °C).

IMPORTANTE: Antes de colocar la carne en un deshidratador, se recomienda firmemente calentar la carne a 160 °F (71 °C) ANTES del proceso de deshidratación. Este paso asegurará de que el calor húmedo destruya cualquier bacteria presente. Después de calentar a 160 °F (71 °C), es importante mantener una temperatura constante del deshidratador de 130 a 140 °F (54 a 60 °C) durante el proceso de secado porque:

- 1.) el proceso debe ser lo suficientemente rápido para secar el alimento antes de que se eche a perder; y
- 2.) debe eliminar suficiente agua de manera que los microorganismos no puedan desarrollarse.

PREPARACIÓN DE LA CECINA

Si está utilizando una marinada, sacuda el exceso de líquido de la carne antes de dividirlo uniformemente en capas individuales, aproximadamente 1/4" a 1/2" (0.6 a 1.5 cm), en las rejillas del deshidratador.

NOTA IMPORTANTE: NO coloque la cecina sobre el orificio central de las rejillas. Esto impedirá el flujo de aire al centro del gabinete y puede ocasionar un secado desigual.

Seque la carne de 145 a 150 °F (62.7 a 65.6 °C) durante 4 a 7 horas. Es posible que tenga que secar gotitas de grasa de la superficie de la carne de vez en cuando, con una toalla de papel. Los tiempos de secado pueden variar en base a muchas circunstancias que incluyen pero no se limitan a: la humedad relativa del cuarto, la temperatura de la carne al inicio del proceso, la cantidad de carne en el deshidratador, la cantidad de grasa en la carne, etc. Siempre permita que la cecina se enfríe antes de la degustación.

ALMACENAMIENTO DE LA CECINA

Envuelva la cecina/palitos de bocadillo en hoja de aluminio y almacénela en una bolsa de plástico grueso para almacenamiento, o coloque la cecina/palitos de bocadillo en un frasco con una tapa ajustada. Evite almacenarla en contenedores o bolsas de plástico sin envolverla previamente en hoja de aluminio o papel encerado. La cecina/palitos de bocadillo deben almacenarse en un lugar oscuro y seco entre 50 y 60 °F (10 y 15.6 °C). Puede almacenar cecina/palitos de bocadillo secados de manera adecuada a temperatura ambiente por 1 a 2 meses. Para ampliar la vida útil hasta a 6 meses, almacene la cecina/palitos de bocadillo en el congelador. Asegúrese de etiquetar y fechar todos los paquetes.

REHIDRATACIÓN

- Si bien no es necesario rehidratar los alimentos secos, esto se puede hacer con facilidad. Las verduras se pueden utilizar como un plato de acompañamiento o en recetas de manera muy eficaz después de haber sido rehidratadas de la siguiente manera.
- Remoje las verduras en agua fría sin sal durante 3 a 7 minutos antes de cocinar. Si tiene previsto remojar los alimentos por más tiempo, se debe colocar en el refrigerador mientras se remoja. Después de remojar, lo mejor es cocinar las verduras en la misma agua en la que se remojaron. Simplemente hierva el agua y cocine las verduras hasta que estén blandas.
- Por lo general, 1 taza de verduras secas resultará en aproximadamente 2 tazas después de la rehidratación. Las frutas se rehidratan en una proporción de aproximadamente 1:1-1/2 tazas.
- El tiempo de rehidratación variará dependiendo de la consistencia de los alimentos secos y la temperatura del agua utilizada. Remojar la comida en agua más caliente acelerará el proceso; sin embargo, puede resultar en la pérdida de sabor.

RESUMEN

Recuerde que secar comida es un arte como cualquier otra forma de cocinar. Una vez que esté familiarizado con los conceptos básicos, experimente para crear alimentos secos únicos.

Siempre recuerde los aspectos básicos:

- Cuanto más magra la carne, mejor será la cecina
- No superponga productos alimenticios en las rejillas de secado
- Trate previamente las frutas y verduras adecuadamente
- Los tiempos de secado variarán
- Seque el exceso de humedad de la superficie de los alimentos mientras se secan
- Alterne las rejillas si el secado es desigual
- Siempre siga las pautas de seguridad alimentaria para carnes, aves de corral y pescado a fin de asegurarse de que el producto final esté libre de bacterias que causan enfermedades.

SECADO DE FLORES

- Las flores deben estar secas al inicio, es mejor cortarlas después de que el rocío se haya secado y antes de que la humedad de la noche se condense. Seque las flores tan pronto como sea posible después de cortarlas.
- La mejor condición para deshidratar flores es un área seca, caliente, oscura, limpia y bien ventilada, lo que hace el lugar ideal para el deshidratador. Las flores conservan el mejor color y condición cuando se secan rápidamente.
- Se debe usar una temperatura baja para conservar los aceites naturales.
- Quite las hojas o si usted prefiere conserve el follaje. Deseche cualquier hoja seca o dañada.
- Coloque en la rejilla del deshidratador en una sola capa, evitando el traslape.
- Los tiempos de secado variarán considerablemente dependiendo del tamaño de la flor y de la cantidad de follaje. Seque a 100 °F (38 °C).

SEGURIDAD DE LOS ALIMENTOS

Hay que seguir ciertas reglas básicas al manejar alimentos. Las reglas son **COCINAR, SEPARAR, LIMPIAR y ENFRIAR.**

COCINAR

Es muy importante cocinar los alimentos a una temperatura interna que destruya cualquier bacteria que esté presente. Últimamente se ha puesto mucha atención en la higiene de las hamburguesas y otros alimentos elaborados con carne molida y con razón. Cuando se muele la carne, las bacterias presentes en la superficie se revuelven en toda la mezcla de la carne molida. Si la carne molida no se cuece a por lo menos 71°C a 74°C (160°F - 165°F), no se destruyen las bacterias y hay una buena posibilidad de enfermarse.

Las piezas de carne sólida, como los filetes y las chuletas, no tienen en su interior bacterias peligrosas como le E. coli, por lo que pueden servirse menos cocidas. Aun así, cualquier corte de vacuno debe cocinarse a una temperatura interna de por lo menos 63°C (145°F) (medio cocido). La temperatura recomendable para las aves es de 75°C (165°F) y los cortes sólidos de carne de puerco deben cocinarse a 71°C (160°F).

SEPARAR

SIEMPRE DEBE separar los alimentos que se comen crudos y los que se vayan a cocer antes de comerse. La contaminación cruzada se presenta cuando la carne o los huevos crudos entran en contacto con alimentos que se van a consumir sin cocimiento. Ésta es una importante causa de intoxicaciones. Siempre use una doble envoltura para la carne cruda y colóquela en la repisa más baja del refrigerador, para que no haya manera de que su jugo gotee en las verduras frescas. Use la carne cruda 1 o 2 días después de comprarla, o congélela para guardarla más tiempo. Descongele la carne congelada en el refrigerador, no en el mesón de la cocina.

Cuando ase o cocine carne o pescado crudo, coloque la carne ya cocida en un platón limpio. No use el mismo platón que usó para llevar la carne al asador. Lave los utensilios usados en el asador después de haber volteado los alimentos por última vez, así como las cucharas y espátulas usadas para freír o para voltear la carne al estarla cocinando.

No olvide lavarse las manos después de manejar carne o huevos crudos. Es absolutamente necesario lavarse las manos con agua y jabón o usar una toallita húmeda antibacteriana después de tocar carne o huevos crudos. No lavarse las manos o las superficies cuando se cocina es una causa importante de contaminación cruzada.

LIMPIAR

Lávese las manos y las superficies de trabajo con frecuencia mientras esté cocinando. Lávese con agua tibia y jabón durante por lo menos 15 segundos; después séquese con una toalla de papel.

ENFRIAR

Es muy importante enfriar los alimentos. La zona de peligro para la multiplicación de bacterias está entre los 4 °C y 60 °C (40 °F - 140 °F). El refrigerador debe estar a 4 °C (40 °F) o menos; el congelador debe estar a -17 °C (0 °F) o menos. Regla básica: sirva calientes los alimentos calientes y sirva fríos los alimentos fríos. Use platos calientes para mantener caliente la comida a la hora de servirla. Use baños de agua con hielo para mantener fría la comida fría. Nunca deje ningún alimento a temperatura ambiente por más de 2 horas; o por más de 1 hora si la temperatura ambiente es de 32 °C (90 °F) o superior. Cuando empaque para un picnic, asegúrese de que la comida ya esté fría cuando la meta en la canasta aislada. La canasta no enfría la comida; sólo la mantiene fría si está debidamente empacada con hielo. Los alimentos cocidos calientes deben colocarse en recipientes bajos y refrigerarse de inmediato para que se enfrién rápidamente. No olvide cubrir los alimentos una vez que se enfrién.

NOTA: Debe tener especial consideración al usar venado y otra carne de caza, ya que puede contaminarse durante la preparación de campo. El venado suele mantenerse a temperaturas que podrían permitir el crecimiento de bacterias, como cuando se transporta. Consulte con el Departamento de Carnes y Aves de la USDA si tiene más preguntas o quiere más información sobre higiene de carne y alimentos.



DOS AÑOS DE GARANTÍA WESTON LIMITADA

Esta garantía aplica a los productos que se compran y usan en los EE. UU. y Canadá, y que se registraron adecuadamente dentro de 30 días de la fecha de compra original. Esta es la única garantía expresa para este producto y reemplaza cualquier otra garantía o condición. Este producto está garantizado contra defectos materiales y de fabricación por un período de dos (2) años a partir de la fecha de compra original. Durante este período, su único recurso es la reparación o sustitución de este producto o de cualquier componente que se encuentre defectuoso, a nuestra elección.

Para registrar su producto, complete el formulario en línea en www.WestonProducts.com/Warranty

Esta garantía no cubre productos no registrados, reparaciones o servicios a productos no autorizados, productos vendidos "tal cual" por minoristas, vidrio, filtros, desgaste por uso normal, uso que no sea conforme a las instrucciones impresas o daño al producto como resultado de un accidente, alteración, abuso o mal uso. Esta garantía se extiende únicamente al comprador consumidor original o quien reciba el producto como regalo y no es transferible. Guarde el recibo de compra original ya que se requiere de un comprobante de compra para hacer un reclamo de garantía.

Excluimos todo reclamo por daños especiales, incidentales o que resulten como consecuencia del incumplimiento de la garantía expresa o implícita. Toda responsabilidad se limita al monto del precio de compra. Toda garantía implícita, incluyendo cualquier garantía legal o condición de comerciabilidad o aptitud para un propósito en particular, se niega excepto en la medida que lo prohíbe la ley, en cuyo caso dicha garantía o condición se limita a la duración de esta garantía por escrito. Esta garantía le otorga derechos legales específicos. Puede tener otros derechos legales que varían según donde vive. Algunos estados o provincias no permiten limitantes en garantías implícitas o daños especiales, incidentales o consecuentes, por lo tanto, es posible que las limitaciones mencionadas anteriormente no apliquen para usted.

Antes de devolver el producto para cualquier reparación o servicio: debe estar limpio y libre de partículas de alimentos u otra suciedad; de otra manera, se le devolverá o aplicará un cargo de 50 USD por limpieza, a nuestra elección.

Para reclamar una garantía, visite www.WestonProducts.com/Contact o llame al 1.800.814.4895 en los EE. UU. o al 001.216.901.6801 fuera de los EE. UU., de lunes a viernes de 8 a. m. a 5 p. m. hora del este. Usted es responsable de todos los costos asociados con enviarnos el producto con el flete prepagado.

Si el producto califica para una reparación o un reemplazo bajo garantía, asumiremos el costo de devolverle el producto. No somos responsables por los daños resultantes del envío.

Para trabajo fuera de garantía: llame al 1.800.814.4895 dentro de los EE. UU. o al 001.216.901.6801 fuera de los EE. UU., de lunes a viernes de 8 a. m. a 5 p. m. hora del Este, para obtener un número de autorización de devolución de mercancía (Return Merchandise Authorization, RMA). Rechazaremos toda devolución sin número de RMA. Aplicaremos un cargo de 35 USD/hora por todo trabajo de diagnóstico, servicio, reparación o procesamiento. No iniciaremos ningún servicio o trabajo de reparación sin autorización previa. Usted es responsable de todos los costos asociados con enviarnos el producto con el flete prepagado y con nuestra devolución hacia usted.



DÉSHYDRATEUR MODÉLA A

PRO-1200 28-0301-W (80 L)

PRO-2400 28-0501-W (160 L)

PARCE QUE NOS PRODUITS BÉNÉFICIENT DE PERFECTIONNEMENTS CONSTANTS APPORTÉS EN USINE, LES ILLUSTRATIONS PRÉSENTÉES PEUVENT ÊTRE LÉGÈREMENT DIFFÉRENTES DU PRODUIT REÇU. 020416

! IMPORTANT!

Cet appareil est un déshydrateur, non un four. Son intention est de déshydrater, non cuire. Le fonctionnement du déshydrateur n'est pas le même que celui d'un four.

. AVANT la déshydratation, réchauffer la viande à une température interne de 160 °F (71 °C) et la volaille à 165 °F (74 °C) dans un four afin de tuer toute bactérie qui pourrait être présente.

. Chauffer la viande ou la volaille dans un FOUR, non le déshydrateur.

. Idéalement, la température programmée n'est que la température la plus élevée qui est atteinte lors du cycle de chauffage. La température programmée n'est pas maintenue.

. Selon divers facteurs, y compris les conditions ambiantes, l'état des

aliments à déshydrater et l'alimentation électrique, la température programmée peut ne pas être atteinte.

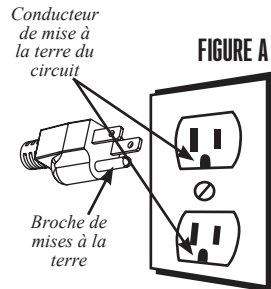
. Pour un rendement maximal : ne pas utiliser des rallonges; faire fonctionner le déshydrateur dans un endroit où la température est supérieure à 70 °F (21 °C); retirer les autres appareils du circuit électrique auquel est branché le déshydrateur; s'assurer que la porte est complètement fermée, sans bris de l'étanchéité; brancher le déshydrateur à un circuit électrique protégé par un disjoncteur de 20 ampères.

. NE PAS utiliser le déshydrateur à l'extérieur.

. Lire et comprendre parfaitement toutes les instructions et les avertissements avant d'utiliser le déshydrateur.

INSTRUCTIONS DE MISE À LA TERRE**MISE À LA TERRE**

Cet appareil doit être mis à la terre lorsqu'il est utilisé afin de protéger son utilisateur contre les décharges électriques. Cet appareil est équipé d'un cordon d'alimentation polarisé et d'une fiche à trois lames permettant de le brancher à une prise de courant mise à la terre. La fiche de cet appareil ressemble à celle illustrée à la figure A.



IMPORTANTES RÈGLES DE SÉCURITÉ

LIRE ET COMPRENDRE COMPLÈTEMENT TOUTES LES DIRECTIVES ET LES AVERTISSEMENTS AVANT D'UTILISER CE PRODUIT. LE PLUS IMPORTANT EST VOTRE SÉCURITÉ! LE DÉFAUT D'OBSERVER LES PROCÉDURES ET MISES EN GARDE PEUT ENTRAÎNER DES BLESSURES GRAVES OU DES DOMMAGES MATÉRIELS. N'OUBLIEZ PAS : VOTRE SÉCURITÉ PERSONNELLE EST VOTRE RESPONSABILITÉ!

1. **TOUJOURS DÉBRANCHER** le déshydrateur de la source d'alimentation avant d'en effectuer l'entretien, de changer les accessoires ou de nettoyer l'appareil.

2. **TOUJOURS UTILISER UN CIRCUIT DISTINCT EXCLUSIF** pour alimenter ce déshydrateur. Le calibre du fil du circuit doit être au moins un fil n° 12 et **DOIT** être protégé par un disjoncteur de 20 ampères. Si vous n'êtes pas certain de votre système électrique, communiquez avec un électricien qualifié. Le défaut de vérifier votre système électrique peut provoquer un incendie, des blessures ou des dommages à la propriété! L'appareil ne chauffera pas à la température programmée à moins que cette étape soit effectuée.

3. **NE JAMAIS LAISSER LE DÉSHYDRATEUR SANS SURVEILLANCE.** Faire preuve de prudence; **DÉBRANCHER** le déshydrateur de la source d'alimentation avant de quitter le lieu de travail. Une surveillance étroite est nécessaire lorsque tout appareil est utilisé à proximité des enfants. Cet appareil n'est **PAS** destiné à être utilisé par les enfants.

4. Réduire le risque de démarrage accidentel. S'assurer que l'interrupteur d'alimentation est en position « OFF » (arrêté) avant de connecter la source d'alimentation. To disconnect, turn any control to off, then remove plug from wall outlet.

5. **NE PAS UTILISER** ce déshydrateur si le cordon d'alimentation, la prise ou tout autre composant est endommagé. Si le cordon d'alimentation ou le déshydrateur est endommagé, communiquez avec le Service à la clientèle. **NE PAS TENTER DE REMPLACER LE CORDON.** S'assurer d'éviter que le cordon d'alimentation encombre l'espace de travail. Vérifier que toutes les pièces fonctionnent correctement et remplissent les fonctions prévues. Vérifier l'alignement des pièces mobiles et toute autre condition qui pourrait nuire au fonctionnement normal.

6. **NE JAMAIS** utiliser des accessoires ou des pièces provenant d'un autre fabricant. Ceci **ANNULERA LA GARANTIE** et pourrait causer un incendie, une électrocution ou des blessures.

7. Le fabricant décline toute responsabilité dans le cas d'une utilisation inappropriée du déshydrateur. L'utilisation inappropriée du déshydrateur annule la garantie.

8. La réparation électrique doit être effectuée par un marchand autorisé. N'utiliser que les pièces et accessoires originaux de la manufacture. La modification du déshydrateur annule la garantie.

9. S'assurer que le déshydrateur est sur une surface stable de travail. S'assurer que les pieds du déshydrateur sont stables. Verrouiller les roulettes (le cas échéant) avant l'utilisation.

10. **NE PAS** l'utiliser à l'extérieur.

11. Ce déshydrateur comprend des entrées et des sorties d'air à l'arrière de l'unité. Garder une distance

d'au moins 6 po (15 cm) libre de tout objet et mur sur les côtés du déshydrateur.

12. **NE PAS** faire fonctionner le déshydrateur sur des surfaces inflammables comme un tapis ou des planchers en bois! **ÊTRE SÉCURITAIRE** et utiliser le déshydrateur sur un bloc de cendre ou un plancher de béton.

13. Ne pas plonger le cordon, la fiche ou le **DÉSHYDRATEUR EN EAU** ou de liquide. **S'ASSURER QUE LE DÉSHYDRATEUR EST DÉBRANCHÉ DE LA SOURCE D'ALIMENTATION AVANT DE LE NETTOYER.** Laver toutes les pièces à la main et les sécher avec soin. Nettoyer soigneusement toutes les pièces qui seront en contact avec les aliments avant l'utilisation de l'appareil. **NE JAMAIS** rincer le déshydrateur avec un boyau ou en versant de l'eau; n'utiliser qu'un linge humide pour nettoyer le déshydrateur. **NE PAS** utiliser le déshydrateur avec les mains mouillées ou les pieds nus. **NE PAS** utiliser à proximité de l'eau.

14. **NE PAS** permettre à l'eau de s'infiltrer dans le diffuseur, ce qui pourrait entraîner un dommage à l'élément chauffant. **NE PAS** retirer le diffuseur de l'armoire. L'intégrité de l'assemblage sera compromise et pourrait annuler la garantie. Suivre les directives de nettoyage du diffuseur après **CHAQUE** utilisation.

15. Après le nettoyage, s'assurer que le déshydrateur est complètement sec avant de le rebrancher à la source d'alimentation; sinon, cela peut provoquer une **ELECTROCUTION** et entraîner des blessures personnelles.

16. Le défaut de suivre les directives de nettoyage et d'entretien réduira la durée de vie du déshydrateur et peut causer des malfonctionnements graves du produit, des blessures ou des dommages à la propriété.

17. Ne pas placer sur ou près d'un brûleur à gaz ou électrique, ou dans un four chauffé. Us le déshydrateur ou des surfaces chaudes.

18. **ATTENTION!** Certaines surfaces du déshydrateur peuvent devenir très **CHAUDES** lors de l'utilisation! Ce qui peut entraîner des blessures graves! **NE PAS** toucher ces régions lors de l'utilisation jusqu'à ce qu'elles refroidissent après l'utilisation.

19. **NE PAS** essayer de faire fonctionner le déshydrateur si le déshydrateur lui-même est froid. La température du déshydrateur devrait être au moins 45 °F (7 °C) avant de commencer.

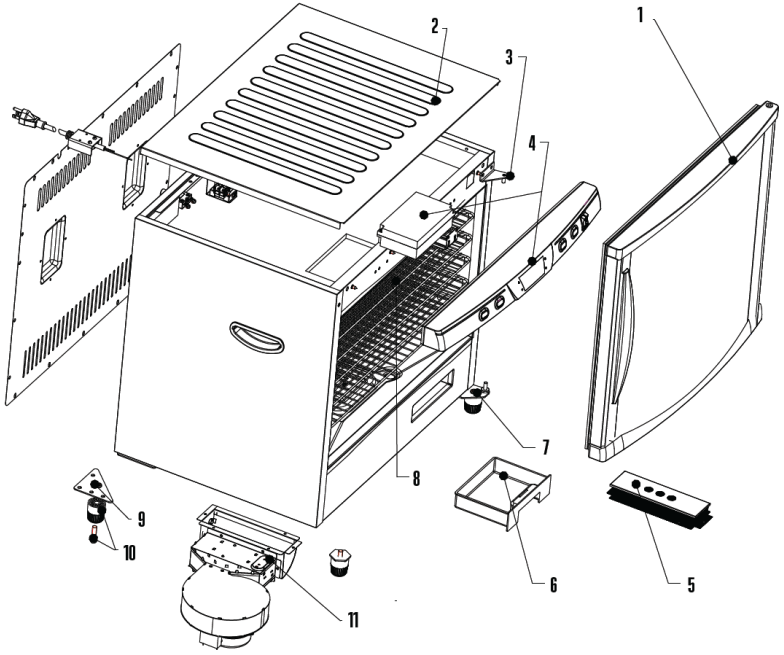
20. **NE PAS** utiliser le déshydrateur sous l'influence de drogues, de médicaments ou d'alcool.

21. Ne pas utiliser l'appareil à d'autres fins que celles prévues.

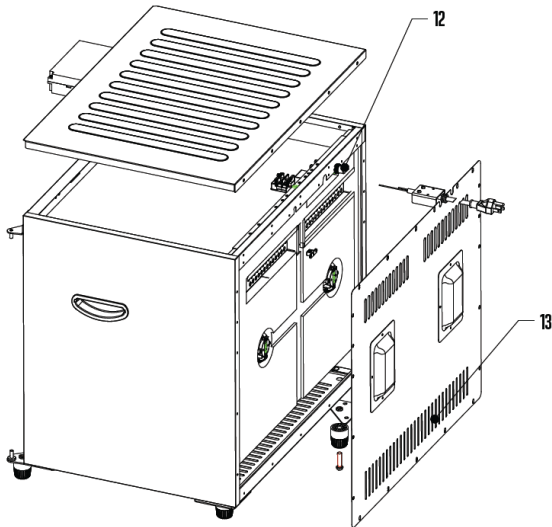
22. Une extrême prudence doit être utilisée pour déplacer un appareil ou une partie contenant de l'huile chaude ou autres liquides chauds.

CONSERVER CES DIRECTIVES!

AVERTISSEMENT! Avant de nettoyer, d'assembler ou de démonter le déshydrateur, veiller à LE DÉBRANCHER DE LA PRISE OU DE LA SOURCE D'ALIMENTATION! TOUJOURS débrancher le déshydrateur lorsqu'il n'est pas utilisé.



BACK VIEW



DESCRIPTION DE LA PIÈCE

NUMÉRO DE SCHÉMA	DESCRIPTION DE LA PIÈCE	28-0301-W	28-0501-W
1	PORTE	28-0404-W	28-0504-W
2	PANNEAU SUPÉRIEUR	28-0506	28-0506
N/A	PANNEAU INFÉRIEUR	28-0307	28-0307
3	CHARNIÈRE SUPÉRIEURE DE LA PORTE	28-0333	28-0333
4	CARTE PRINCIPALE DE L'ORDINATEUR ET PANNEAU DE COMMANDE	28-0513	28-0513
5	DIFFUSEUR	28-0311	28-0331
N/A	DIFFUSEUR DU PANNEAU ARRIÈRE	N/A	28-0330
6	CUVETTE D'ÉGOUTTAGE	28-0519	28-0519
7	CHARNIÈRE INFÉRIEURE DE LA PORTE	28-0334	28-0334-N
8	GRILLE ANTIADHÉSIVE – ENSEMBLE DE 12	28-0313	28-0313 (2 ENSEMBLES INCLUS)
9	SUPPORT EN CORNIÈRE INFÉRIEURE ARRIÈRE (2)	28-0336	28-0336-N
N/A	SUPPORT DE PIED AVANT	28-0332	28-0332-N
10	SET DE PIEDS (AVEC 4 PIEDS ET BOULON)	28-0308	N/A
N/A	SET DE ROULETTE PIVOTANTES (AVEC 4 ROULETTES ET ÉCROU DE ROULETTE)	N/A	28-0508
11	VENTILATEUR ET ÉLÉMENT CHAUFFANT	28-0302	28-0302
12	DISJONCTEUR	28-0379	28-0379
13	PANNEAU ARRIÈRE	28-0305	28-0505
N/A	SUPPORT À COLLATIONS EN BÂTONNET (PAS MONTRÉ)	28-0322	28-0322

N'hésitez pas à visiter notre site Web.WestonProduct.com/support si un composant est cassé, l'outil fonctionne mal, ou pour commander un nouveau mode d'emploi.

WestonProducts.com

Veuillez appeler Weston Brands, LLC au numéro sans frais : 1-800-814-4895
Du lundi au vendredi: de 8 h à 17 h ET. En dehors des États-Unis, veuillez appeler le 001-216-901-6801

INSTRUCTIONS DE MONTAGE 80 L

1. S'assurer que le déshydrateur est éteint et débranché.
2. Retirer les grilles et tout autre article libre de l'intérieur et fermer la porte.
3. Déposer délicatement le déshydrateur sur son côté gauche (en regardant la porte) sur un tapis ou autre un article semblable afin de prévenir les rayures. **NE PAS** déposer le déshydrateur sur son côté droit ou le devant pour éviter des dommages à la porte, au panneau de contrôle ou au disjoncteur.
4. Insérer les boulons des pieds dans les trous sous les pieds jusqu'à ce que le filetage des boulons en sorte. Enfiler les boulons et les pieds dans les supports de pied avant.
5. Serrer les boulons des pieds à l'aide d'un tournevis.
6. En tenant la porte fermée, relever délicatement le déshydrateur en position verticale sur les pieds.

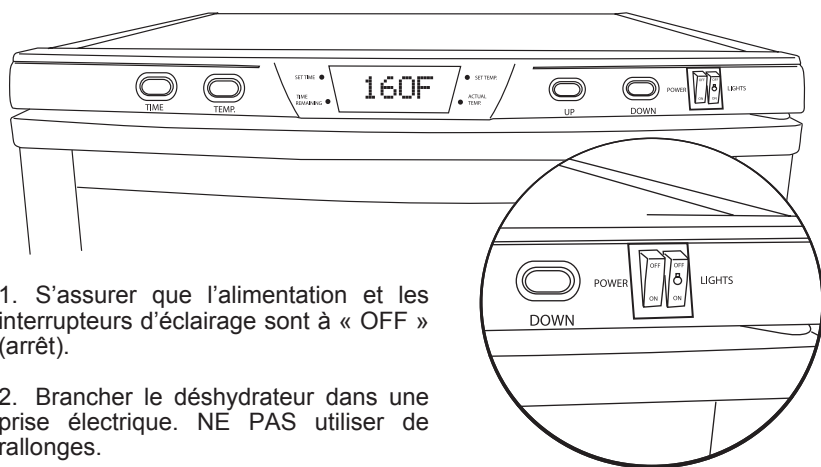
INSTRUCTIONS DE MONTAGE 160 L

1. Suivre les étapes 1 à 3 ci-dessus.
2. Visser un écrou de roulette (fixé à la roulette pour l'expédition) sur la tige filetée de chaque roulette jusqu'à ce qu'il arrête.
3. Visser les roulettes pivotantes dans les supports à cornière inférieure arrière jusqu'à ce qu'ils arrêtent. **ASTUCE** : Tenir le cadre de la roulette d'une main et tourner le pivot de l'autre.
4. Visser les roulettes pivotantes avec frein dans les supports des pieds avant jusqu'à ce qu'ils arrêtent.
5. Serrer chaque écrou de roulette à l'aide d'une clé ouverte de 12 mm (1/2 po). Tourner les écrous de roulette dans le sens horaire. Ils doivent être serrés sur le déshydrateur, non les roulettes. **NE PAS** trop serrer.
6. Inspecter l'écart entre la porte et le support du pied gauche avant afin d'assurer que la tige de la roulette n'est pas en contact avec le bas de la porte. S'il y a contact, desserrer l'écrou de la roulette et déplacer la roulette vers le bas. Visser l'écrou de la roulette sur la tige de la roulette, mais ne pas le visser au complet. Laisser un petit écart pour raccourcir la tige qui dépasse dans le support du pied. Réinstaller la roulette comme indiqué ci-dessus.
7. En tenant la porte fermée, lever soigneusement le déshydrateur en position verticale sur les roulettes.

INSTRUCTIONS AVANT L'UTILISATION

- NE PAS faire fonctionner le déshydrateur sans avoir installé les pieds/roulettes.
- Placer le déshydrateur sur une surface propre, de niveau, sèche et non inflammable à au moins 6 po (15 cm) de tout mur. Éviter les surfaces avec tapis.
- Enclencher les freins sur les deux roulettes pivotantes montées à l'avant (modèle 160-L).

RÉGLAGE



1. S'assurer que l'alimentation et les interrupteurs d'éclairage sont à « OFF » (arrêt).

2. Brancher le déshydrateur dans une prise électrique. NE PAS utiliser de rallonges.

3. Régler l'interrupteur d'alimentation à « ON » (en marche).

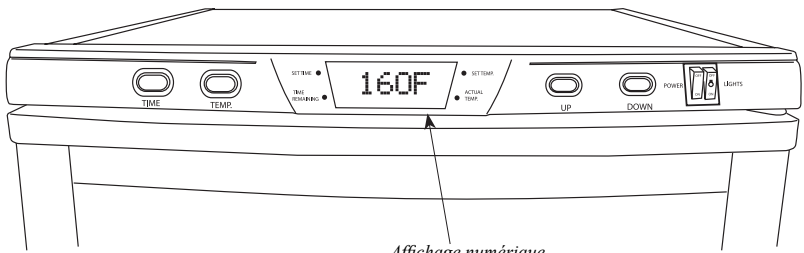
4. Remplir les grilles d'aliments ou d'autres articles à déshydrater.

5. Mettre les grilles dans le déshydrateur. Pousser chaque grille jusqu'à ce qu'elle arrête.

IMPORTANT : Il y a trois grilles avec encoches. Placer ces grilles (avec les encoches vers l'arrière) sur les trois supports de grille. Les encoches empêchent les grilles de toucher le capteur de température sur la paroi arrière, près du haut. Tout contact entre ces pièces peut causer une fausse lecture de température ou des irrégularités du cycle.

6. Fermer la porte, appuyer fermement sur la porte pour assurer une bonne étanchéité.

PROGRAMMATION



Affichage numérique

7. **POUR PROGRAMMER L'HEURE :** Appuyer une fois sur le bouton « TIME » (heure) sur le panneau de contrôle. Utiliser les boutons « UP » et « DOWN » (augmenter et diminuer) à droite sur le panneau de contrôle pour programmer les heures de la minuterie à rebours (23 heures maximum). Appuyer encore une fois sur le bouton « TIME » (heure) pour passer aux minutes. De la même façon, programmer les minutes (par incréments de 5 minutes).

8. **POUR PROGRAMMER LA TEMPÉRATURE :** Appuyer une fois sur le bouton « TEMP ». Utiliser les boutons « UP » et « DOWN » (augmenter et diminuer) pour programmer la température (160 °F maximum, 50 °F minimum, incréments de 5 degrés).

REMARQUE : la température programmée est la température maximale que le déshydrateur peut atteindre au cours du fonctionnement.

9. Aucun besoin d'appuyer sur d'autres boutons. Le déshydrateur commencera automatiquement après une courte pause. **REMARQUE :** le déshydrateur commencera pendant la programmation si vous tardez. Pas de soucis, c'est normal. Vous n'avez qu'à continuer la programmation comme susmentionnée.

FONCTION

10. L'affichage numérique sur le panneau de contrôle fera un cycle continu lorsque l'unité fonctionne. Il affichera en alternance : le temps de déshydratation programmé « SET TIME » ; le temps de déshydratation qu'il reste « TIME REMAINING » ; la température programmée « SET TEMP » ; et la température actuelle réelle dans le déshydrateur « ACTUAL TEMP » (mesurée par le capteur de la température sur la paroi arrière, vers le haut).

REMARQUE : la « SET TEMP » (température programmée) n'est que la plus haute température atteinte lors d'un cycle de chauffage. La « SET TEMP » (température programmée) n'est PAS maintenue.

11. Le déshydrateur émettra 8 bips au départ et lorsque la température intérieure atteindra la valeur programmée.

12. Le déshydrateur arrête automatiquement (ventilateur et élément chauffant) lorsque la minuterie à rebours arrive à 0. Cependant, l'alimentation de l'unité restera sous tension.

APRÈS L'UTILISATION

13. Régler l'interrupteur d'alimentation à « OFF » (arrêt) après l'utilisation.
14. Débrancher le déshydrateur lorsqu'il n'est pas utilisé.
15. Nettoyer le déshydrateur après chaque utilisation, surtout le diffuseur. Voir la rubrique « DIRECTIVES DE NETTOYAGE » de ce livret.

INSTRUCTIONS D'UTILISATION

- L'intention de ce déshydrateur est de déshydrater, non cuire. Il ne fonctionne pas de la même façon qu'un four. Son fonctionnement et son rendement ne doivent pas être comparés à ceux d'un four.
- La « SET TEMP » (température programmée) du déshydrateur n'est que la température la plus élevée qui sera atteinte au cours du cycle de chauffage. C'est la température à laquelle l'élément chauffant s'éteint. Le ventilateur fonctionnera toujours. Le chauffage recommence lorsque la température tombe de 5 à 10 degrés sous la « SET TEMP » (température programmée).
- La température maximale à laquelle peut être programmé le déshydrateur est 160 °F (71 °C). Le déshydrateur peut atteindre la température programmée ou non, en raison de plusieurs facteurs qui comprennent : la température à l'endroit où fonctionne le déshydrateur; si une rallonge est utilisée ou non; si le déshydrateur partage un circuit électrique ou non avec d'autres appareils; l'épaisseur, la température et la teneur en humidité des aliments; la quantité et la disposition des aliments sur les grilles.
- Pour un rendement maximal du déshydrateur : NE PAS utiliser de rallonges; faire fonctionner le déshydrateur dans un endroit où la température est supérieure à 70 °F (21 °C); retirer les autres appareils du circuit électrique auquel est branché le déshydrateur; s'assurer que la porte est complètement fermée, sans bris de l'étanchéité; brancher le déshydrateur à un circuit électrique protégé par un disjoncteur de 20 ampères.

DIRECTIVES DE NETTOYAGE

AVERTISSEMENT! Avant de nettoyer, d'assembler ou de démonter le déshydrateur, s'assurer qu'il est en position OFF (arrêt) et que LA PRISE EST DÉBRANCHÉE DE LA PRISE DE COURANT/SOURCE D'ALIMENTATION!

- **IMPORTANT!** Nettoyer le déshydrateur après CHAQUE utilisation. Ne pas utiliser de nettoyants abrasifs. Les grilles NE sont PAS lavables au lave-vaisselle.
- **AVERTISSEMENT!** NE PAS immerger le déshydrateur dans l'eau. NE PAS pulvériser le déshydrateur avec de l'eau. NE PAS laisser couler de l'eau dans le diffuseur.
- NE PAS permettre une accumulation de graisse dans le déshydrateur, surtout sur le diffuseur. Cela pourrait entraîner des dommages des composants ou un incendie.
- Éteindre et débrancher le déshydrateur. Donner le temps au déshydrateur de refroidir. Nettoyer les grilles, l'intérieur et l'extérieur de l'armoire, le diffuseur, la porte et la cuvette d'égouttage, comme il est indiqué ci-dessous.

GRILLES ANTIADHÉSIVES

Laver les grilles à la main à l'aide d'une brosse douce, dans l'eau chaude et savonneuse. Rincer et essuyer. S'assurer que les grilles sont complètement sèches avant de les remettre dans le déshydrateur.

INTÉRIEUR DE L'ARMOIRE

Essuyer l'intérieur de l'armoire et nettoyer les supports des grilles à l'aide d'un linge modérément humide et du savon, au besoin. NE PAS utiliser de nettoyants abrasifs. Essuyer tout résidu si le savon est utilisé. MISE EN GARDE : NE PAS laisser couler de l'eau dans le diffuseur. Cela pourrait entraîner l'électrocution ou des dommages à l'unité. Au besoin, couvrir le diffuseur d'une serviette sèche en nettoyant l'intérieur de l'armoire et les supports des grilles.

EXTÉRIEUR DE L'ARMOIRE

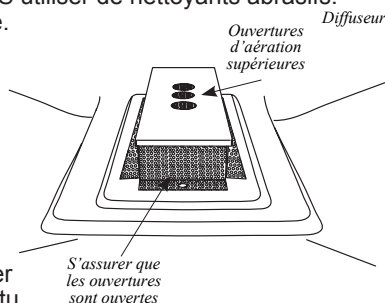
Essuyer l'extérieur de l'armoire à l'aide d'un linge modérément humide et du savon, au besoin. Essuyer tout résidu si le savon est utilisé.

DIFFUSEUR

Essuyer le dessus et les côtés du diffuseur à l'aide d'un linge légèrement humide et du savon, au besoin. NE PAS utiliser de nettoyants abrasifs. Retirer tout résidu si le savon est utilisé.

MISE EN GARDE : NE PAS laisser couler de l'eau dans le diffuseur. Cela pourrait entraîner l'électrocution ou des dommages à l'unité.

Inspecter les ouvertures d'aération sur les côtés et le dessus du diffuseur. Toutes les ouvertures doivent être propres et entièrement ouvertes. Utiliser un cure-dents ou autre objet pointu pour retirer tout résidu. Veiller à ne pas pousser le résidu dans le diffuseur.



PORTE DE L'ARMOIRE

Essuyer la porte et le joint d'étanchéité à l'aide d'un linge modérément humide et du savon, au besoin. Essuyer tout résidu si le savon est utilisé. Bien essuyer la vitre à l'aide d'un chiffon ou de papier essuie-tout et de lave-vitres.

CUVETTE D'ÉGOUTTAGE

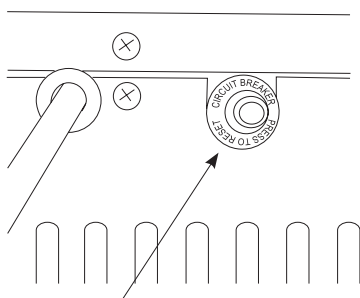
Vider la cuvette d'égouttage et la laver dans de l'eau chaude savonneuse. Rincer et sécher la cuvette d'égouttage avant de la réinstaller dans le déshydrateur.

DÉPANNAGE

Le déshydrateur perd son alimentation et ne redémarre pas.

- Éteindre le déshydrateur et débrancher le cordon d'alimentation de la prise de courant électrique. Appuyer sur le bouton du disjoncteur (situé à l'arrière du déshydrateur vers le haut) pour le réinitialiser.

- Vérifier le disjoncteur de la maison qui contrôle la prise de courant auquel est branché le déshydrateur. S'assurer que le disjoncteur a une capacité nominale de 20 ampères et qu'aucun autre appareil n'est utilisé en même temps. Le réinitialiser, au besoin.



Bouton de réinitialisation du disjoncteur

Déshydratation inégale ou incomplète.

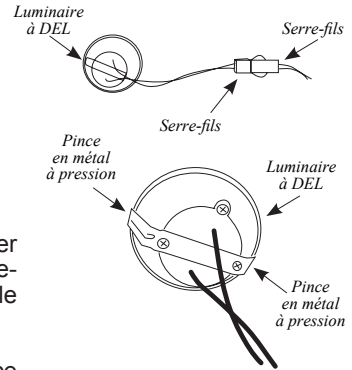
- Ne pas couvrir les ouvertures du centre des grilles.
- Faire la rotation des grilles toutes les 45 ou 90 minutes, selon la nourriture à déshydrater. Placer la grille du haut en bas. Monter toutes les autres grilles d'une étagère. Tourner les grilles.
- Ne pas tasser les aliments. Espacer les articles de 1/2 po à 1 po (1,3 à 2,5 cm) sur les grilles.
- Augmenter le temps et la température de déshydratation.
- Ne pas bloquer les ouvertures d'aération au fond du déshydrateur.
- Garder le déshydrateur à au moins 6 po (15,2 cm) de tout mur.

Si les conseils ci-dessus ne règlent pas votre problème d'utilisation du déshydrateur, communiquez avec le service à la clientèle au numéro au verso de ce manuel pour de plus amples informations et autre dépannage.

REPLACEMENT DE L'AMPOULE

AVERTISSEMENT! Avant de nettoyer, d'assembler ou de démonter le déshydrateur, s'assurer qu'il est en position OFF (arrêt) et que LA PRISE EST DÉBRANCHÉE DE LA PRISE DE COURANT/SOURCE D'ALIMENTATION!

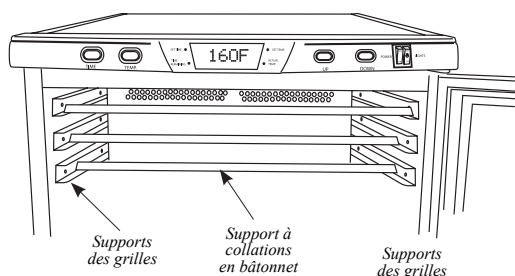
1. Éteindre les lumières du déshydrateur. Éteindre et débrancher le déshydrateur de la prise de courant.
2. Laisser refroidir le déshydrateur. NE PAS essayer de remplacer une ampoule lorsque le déshydrateur est chaud.
3. Retirer toutes les grilles.
4. Retirer le panneau arrière du déshydrateur.
5. Trouver le luminaire à DEL à remplacer et débrancher les fils du luminaire du serre-fils blanc sur l'unité en pinçant ensemble les deux pinces du serre-fils.
6. Appuyer sur les deux côtés de la pince en métal sur le luminaire pour le libérer du corps du déshydrateur, ensuite pousser doucement le luminaire dans l'armoire de l'unité, en s'assurant de bien tenir les fils connectés au luminaire afin qu'ils ne tombent pas dans l'armoire du déshydrateur. Disposer du luminaire retiré.
7. Insérer le luminaire de remplacement dans le trou vide où se trouvait l'ancien luminaire en passant tout d'abord le fil connecté au luminaire.
8. Aligner le luminaire au trou et le pousser jusqu'à ce que les pinces en métal à l'arrière du luminaire soient fixées.
9. Rebrancher le serre-fils fixé au luminaire au serre-fils où était fixé l'ancien luminaire en les serrant ensemble jusqu'à ce qu'ils soient fixés.
10. Aligner le panneau arrière du Déshydrateur et réinstaller les vis retirées pour monter le panneau arrière.



CONSEILS DE DÉSHYDRATATION

SAUCISSES OU COLLATIONS EN BÂTONNET :

Utiliser les supports à collations en bâtonnet pour accrocher et déshydrater les chaînons de saucisses et les collations en bâtonnet. Après avoir enlevé les grilles du déshydrateur, draper simplement les chaînons sur les supports à collations en bâtonnet et les faire glisser sur le dessus des supports des grilles. S'assurer de ne pas laisser les chaînons reposer au fond de l'armoire ou sur le dessus du diffuseur.



VIANDES HACHÉES :

Lorsque vous faites de la charqui à partir de viandes hachées, vous pouvez utiliser un pistolet à charqui ou un autre outil semblable pour créer des languettes parfaites de charqui ainsi que des collations en bâtonnet.

BŒUF : Choisir des coupes de bavette, de ronde ou de pointe de surlonge, puisqu'elles sont les meilleures coupes de bœuf pour faire de la charqui.

GIBIER SAUVAGE : La venaison fait une excellente charqui parce qu'elle ne contient pas de gras marbré. Les coupes de bavette et de ronde fonctionnent le mieux. Les viandes d'ours et d'élan font aussi de très bonnes charquis.

VOLAILLE : Lors de la confection de charqui de poulet ou de dinde, il est important que la viande soit cuite à une température interne de 165 °F (74 °C) avant la déshydratation afin de tuer les bactéries causant des maladies.

POISSON : La déshydratation du poisson pour faire de la charqui nécessite beaucoup d'attention. Le poisson doit être nettoyé et désossé de façon appropriée, et bien rincé afin d'assurer que tout le sang est éliminé. Étuver le poisson ou le faire cuire au four à 200 °F (93 °C) jusqu'à ce qu'il s'émiette avant de le déshydrater.

CONSEILS DE DÉSHYDRATATION

Comme la plupart des méthodes de cuisson, une bonne préparation est essentielle à la réussite. Suivre quelques directives de base augmentera de façon importante la qualité du produit déshydraté et réduira le temps nécessaire pour le faire.

REMARQUE : Avant de déshydrater, chauffer la viande à une température interne de 160 °F (71 °C) et la volaille à 165 °F (74 °C) afin de tuer toute bactérie qui pourrait être présente. Chauffer la viande ou la volaille au four, non dans le déshydrateur.

- Afin de prévenir le noircissement des fruits, tremper brièvement les tranches dans du jus de citron ou d'ananas avant la déshydratation. Les fruits peuvent aussi être trempés dans l'acide ascorbique, qui est vendu dans la plupart des pharmacies et des magasins d'aliments naturels, soit en poudre ou en capsule. Préparer une solution d'acide ascorbique selon les instructions du fabricant. Tremper les tranches de fruit dans la solution pendant 2 à 3 minutes avant la déshydratation.
- Blanchir à l'eau ou à la vapeur* les légumes avant la déshydratation afin d'arrêter l'action enzymatique. Pour blanchir à l'eau, placer les légumes directement dans l'eau bouillante et couvrir. Retirer après trois minutes. Pour blanchir à la vapeur, placer les légumes dans un panier cuit-vapeur et étuver pendant 3 à 5 minutes.
- Garder une épaisseur uniforme en tranchant les articles alimentaires pour la déshydratation. Cela assurera que les articles déshydratent à la même vitesse.
- L'épaisseur maximale des tranches de fruits et de légumes devrait être 1/4 po (0,7 cm), à moins d'indications contraires dans une recette.
- L'épaisseur maximale des tranches de viande devrait être 3/16 po (0,5 cm) à moins d'indications contraires dans une recette.
- La viande maigre donne un meilleur produit que la viande grasse.
- Faire mariner la viande avant de la chauffer ou la déshydrater.
- Les aliments rétrécissent de moitié ou plus pendant la déshydratation. Une livre de viande, par exemple, donnera 1/2 à 1/3 lb (0,15 à 0,2 kg) de charqui. Ne pas couper les morceaux trop petits.
- Entreposer les aliments déshydratés dans un récipient fermé, dans un endroit frais, noir et sec. La meilleure température d'entreposage est entre 50 °F et 60 °F (10 °C et 16 °C). Les aliments déshydratés devraient conserver leur fraîcheur pendant des mois lorsqu'ils sont entreposés de cette façon.
- Le temps réel nécessaire pour la déshydratation des aliments dépend de plusieurs facteurs, y compris le teneur en humidité, la teneur en gras, l'épaisseur et la température des aliments, ainsi que l'humidité et la température ambiantes.
- Des gouttelettes peuvent se former sur la surface de la viande et d'autres articles lors de la déshydratation. Essuyer les articles alimentaires à l'occasion afin de retirer les gouttelettes.

*Le blanchiment n'est pas nécessaire pour tous les légumes. Consulter la recette ou le guide de déshydratation.

FAIRE DE LA CHARQUI

La viande devrait être aussi maigre que possible. L'utilisation de la viande maigre aidera à la viande à déshydrater plus rapidement et facilitera le nettoyage en réduisant l'égouttement de graisse. La viande hachée devrait être de 80 % à 90 % maigre. La dinde, la venaison, le buffle et l'élan hachés sont d'autres excellents choix pour la charqui.

Les assaisonnements pour charqui sont offerts pour tous les goûts, ou vous pouvez être créatif et les faire vous-même. Lors de la confection de la charqui, le mélange devrait être traité (au nitrate de sodium). Le nitrate de sodium aide à prévenir le botulisme lors de la déshydratation à de faibles températures. Suivre les directives du fabricant sur l'emballage de nitrate de sodium.

Garder les viandes crues et leurs jus éloignés d'autres aliments. Mariner les viandes au réfrigérateur. Ne pas laisser les viandes non réfrigérées. Empêcher la contamination croisée en entreposant la charqui déshydratée éloignée des viandes crues. TOUJOURS bien laver les mains avec du savon et de l'eau avant de travailler avec les produits de viande, et après. Utiliser de l'équipement et des ustensiles propres.

Garder la viande et la volaille réfrigérées à 40 °F (4,4 °C) ou un peu moins; utiliser ou congeler la viande hachée ou la volaille dans les 2 jours; les viandes rouges entières, dans les 3 à 5 jours. Décongeler la viande dans le réfrigérateur, non sur le comptoir de la cuisine.

On doit porter une attention particulière lors de l'utilisation de la venaison ou d'autre gibier sauvage, puisqu'elle peut devenir fortement contaminée lors de l'apprêtage sur le terrain. La venaison est souvent gardée à des températures qui pourraient permettre la croissance des bactéries, comme lors du transport. Consulter le site Web du USDA pour de plus amples informations sur la salubrité des aliments. (www.usda.gov or www.fsis.usda.gov/fact_sheets/index.asp)

Lors de l'utilisation d'un déshydrateur, vérifier la température du déshydrateur à l'aide d'un thermomètre à cadran avant de déshydrater la charqui. La température minimum recommandée pour la déshydratation des viandes est 130 °F (54 °C). Les températures inférieures à 130 °F (54 °C) ne sont pas recommandées.

IMPORTANT : Avant de placer la viande dans un déshydrateur, il est fortement recommandé de chauffer la viande à 160 °F (71 °C) AVANT le processus de déshydratation. Cette étape assure que toute bactérie sera détruite par la chaleur humide. Après avoir chauffé à 160 °F (71 °C), le maintien d'une température constante du déshydrateur de 130 à 140 °F (54 à 60 °C) pendant le processus de déshydratation est important parce que :

- 1.) le processus doit être suffisamment rapide pour déshydrater les aliments avant qu'ils ne soient avariés; et
- 2.) le processus doit éliminer suffisamment d'eau pour empêcher la croissance de microorganismes.

FAIRE DE LA CHARQUI

Si une marinade est utilisée, éliminer l'excès de liquide en secouant la viande avant de la disposer de façon égale en couches simples, séparée par environ 1/4 à 1/2 po (0,6 à 1,5 cm) sur les grilles du déshydrateur.

REMARQUE IMPORTANTE : NE PAS placer la charqui sur les trous au centre des grilles. Cela empêchera la circulation de l'air au centre de l'armoire et pourrait donner une déshydratation inégale.

Déshydrater la viande à une température de 145 à 150 °F (62,7 à 65,6 °F) pendant 4 à 7 heures. Il faudra peut-être essuyer les gouttelettes de graisse à l'occasion sur la surface de la viande, à l'aide d'un papier essuie-tout. Le temps de déshydratation peut varier selon plusieurs circonstances, y compris sans toutefois s'y limiter : l'humidité relative de la pièce, la température de la viande au début du processus de déshydratation, la quantité de viande dans le déshydrateur, la maigreur de la viande, etc. Toujours laisser refroidir la charqui avant d'y goûter.

ENTREPOSAGE DE LA CHARQUI

Envelopper la charqui/les collations en bâtonnet d'un papier d'aluminium et l'entreposer dans un sac en plastique épais pour aliments, ou placer la charqui/les collations en bâtonnet dans un bocal avec un couvercle serré. Éviter l'entreposage dans des récipients ou des sacs en plastique sans envelopper de papier d'aluminium ou de papier ciré auparavant. La charqui/les collations en bâtonnet doit être entreposée dans un endroit noir et sec, entre 50 et 60 °F (10 et 15,6 °C). La charqui/les collations en bâtonnet peut être entreposée à la température ambiante pendant 1 à 2 mois. Pour prolonger la durée de conservation jusqu'à 6 mois, ranger la charqui/les collations en bâtonnet dans le congélateur. S'assurer d'étiqueter les emballages et d'y inscrire la date.

RECONSTITUTION

- Bien qu'il ne soit pas nécessaire de reconstituer les aliments déshydratés, il est facile de le faire. Les légumes peuvent servir comme plat d'accompagnement ou dans des recettes de façon très efficace après avoir été reconstitués.
- Tremper les légumes dans l'eau froide, non salée, pendant 3 à 7 minutes avant la cuisson. Si on prévoit tremper les aliments plus longtemps, ils devraient être placés au réfrigérateur pendant le trempage. Après le trempage, il est préférable de faire cuire les légumes dans la même eau. Porter simplement l'eau à ébullition et faire cuire les légumes jusqu'à ce qu'ils soient tendres.
- De façon générale, 1 tasse de légumes déshydratés donnera environ 2 tasses après la reconstitution. Les fruits sont reconstitués à un rapport approximatif de 1:1 1/2 tasses.
- Le temps de reconstitution variera selon l'épaisseur des aliments déshydratés et la température de l'eau utilisée. Tremper les aliments dans l'eau tiède accélérera le processus, cependant cela pourrait entraîner une perte de saveur.

SOMMAIRE

Ne pas oublier que la déshydratation des aliments est autant un art que toute autre forme de cuisson. Lorsque les éléments de base sont connus, l'expérimentation peut créer des aliments déshydratés uniques.

Se souvenir de quelques éléments de base :

- Plus la viande est maigre, meilleure sera la charqui.
- Ne pas faire chevaucher les produits alimentaires sur les grilles de déshydratation.
- Traiter au préalable les fruits et les légumes de façon appropriée.
- Le temps de déshydratation variera.
- Essuyer l'excès d'humidité de la surface des aliments pendant la déshydratation.
- Faire la rotation des grilles si la déshydratation n'est pas égale.
- Toujours suivre les directives de salubrité alimentaire pour les viandes, la volaille et le poisson afin d'assurer que le produit final est exempt de bactéries qui causent les maladies.

SÉCHER LES FLEURS

- Les fleurs devraient être sèches dès le début; c'est mieux qu'elles soient cueillies après la disparition de la rosée et avant l'humidité de la soirée. Sécher les fleurs dès que possible après la cueillette.
- La meilleure condition pour sécher les fleurs est un endroit sec, chaud, noir, propre et bien aéré, ce qui fait que le déshydrateur est l'endroit idéal. Les fleurs conserveront la meilleure couleur et le meilleur état lorsqu'elles sont séchées rapidement.
- On devrait utiliser une basse température pour conserver les huiles naturelles.
- Retirer les feuilles ou laisser le feuillage, selon la préférence. Supprimer toute feuille brune ou endommagée.
- Placer sur la grille du déshydrateur, en une seule couche et en évitant le chevauchement.
- Les temps de séchage varieront selon la taille de la fleur et la quantité de feuillage. Sécher à 100 °F (38 °C).

SÉCURITÉ ALIMENTAIRE

Il y a des règles fondamentales à suivre lors de la manipulation d'aliments. Elles sont **CUIRE**, **SÉPARER**, **NETTOYER**, et **REFROIDIR RAPIDEMENT**.

CUIRE

Il est crucial de cuire les aliments à une température interne sûre pour détruire les bactéries qui sont présentes. La sécurité des hamburgers et autres aliments faits avec de la viande hachée a reçu dernièrement beaucoup d'attention, et pour une bonne raison. Quand la viande est hachée, les bactéries présentes sur la surface sont mélangées dans l'ensemble du mélange haché. Si cette viande hachée n'est pas cuite jusqu'à au moins 160°F à 165°F (71°C à 74°C), les bactéries ne seront pas détruites et il y a une forte chance que cela vous rendra malade.

Des morceaux solides de viande comme des steaks et côtelettes n'ont pas de bactéries dangereuses comme E. coli à l'intérieur, donc ils peuvent être servis plus saignants. Quand même, tout morceau de bœuf doit être cuit à une température interne d'au moins 145°F (63°C) (mi-saignant). La température sûre pour la volaille est 165°F (75°C) et les morceaux entiers de viande de porc doivent être cuits à 160°F (71°C).

SÉPARER

Les aliments qui seront mangés crus et les aliments qui seront cuits avant d'être mangés **DOIVENT TOUJOURS** être séparés. La contamination croisée se produit quand des viandes crues ou des œufs viennent en contact avec des aliments qui seront mangés crus. Ceci est une source principale d'intoxication alimentaire. Enveloppez toujours deux fois les viandes crues et placez-les sur l'étagère la plus basse dans le réfrigérateur de manière qu'aucun jus ne puisse goutter sur les fruits et légumes crus. Puis utilisez les viandes crues entre 1 et 2 jours après l'achat, ou congelez-les pour les conserver plus longtemps. Décongelez les viandes congelées dans le réfrigérateur, pas sur le comptoir.

Quand vous grillez ou cuisez des viandes ou des poissons crus, assurez-vous de mettre la viande cuite sur un plat propre. N'utilisez pas le même plat que vous avez utilisé pour transporter les aliments avant de les mettre sur la grill. Lavez les ustensiles utilisés pour griller après que les aliments sont tournés pour la dernière fois sur le grill, aussi bien que les spatules et cuillers utilisées pour faire sauter à feu vif en remuant ou pour tourner la viande au fur et à mesure qu'elle cuit.

Assurez-vous de bien laver vos mains après avoir manipulé des viandes crues ou des œufs crus. Se laver les mains avec du savon et de l'eau, ou utiliser une lingette antibactérienne pré-humidifiée est absolument nécessaire après avoir touché de la viande crue ou des œufs crus. Ne pas se laver les mains et les surfaces pendant la cuisson est une cause majeure de contamination croisée.

NETTOYER

Lavez fréquemment vos mains et les surfaces de travail lorsque vous cuisinez. Lavez avec du savon et de l'eau chaude pendant au moins 15 seconds, puis séchez avec une serviette en papier.

REFROIDIR RAPIDEMENT

La réfrigération rapide des aliments est très importante. La zone de danger où les bactéries se multiplient est entre 40°F et 140°F (4°C et 60°C). Votre réfrigérateur doit être réglé à 40°F (4°C) ou en-dessous; votre congélateur doit être à 0°F (-17°C) ou en-dessous. Une règle simple : servir chaud les aliments chauds, servir froid les aliments froids. Utilisez des réchauds ou plaques chauffantes pour garder les aliments chauds pendant le service. Utilisez des bains d'eau glacée pour garder au froid les aliments froids. Ne jamais laisser des aliments à la température ambiante pendant plus de deux (2) heures - 1 heure si la température ambiante est 90°F (32°C) ou au-dessus. Lorsque vous emballez les aliments pour un pique-nique, assurez-vous que les aliments sont déjà refroidis rapidement lorsqu'ils sont mis dans le panier à pique-nique isotherme. Le panier à pique-nique ne refroidira pas les aliments – il garde simplement les aliments froids lorsqu'il est emballé correctement avec de la glace. Les aliments cuits chauds doivent être placés dans des conteneurs peu profonds et immédiatement réfrigérés pour qu'ils se refroidissent rapidement. Assurez-vous de bien couvrir les aliments après qu'ils sont froids.

REMARQUE : Des considérations particulières doivent être prises lors de l'utilisation de venaison ou d'autre gibier sauvage, puisqu'ils peuvent devenir très contaminés durant l'opération de dépouille. La venaison est souvent gardée à des températures qui pourraient potentiellement permettre la croissance de bactéries, tel que lorsque celle-ci est transportée. Se référer au Département de la viande et de la volaille de l'USDA (USDA Meat and Poultry Department) pour d'autres questions ou informations sur la sécurité de la viande et des aliments.

DEUX ANS DE GARANTIE WESTON LIMITÉE

La présente garantie s'applique aux produits, achetés et utilisés aux États-Unis et au Canada, qui ont été dûment enregistrés dans un délai de 30 jours à compter de la date d'achat initiale. La présente garantie est la seule garantie expresse pour ce produit et remplace toute autre garantie ou condition. Ce produit est garanti contre tout défaut de matériaux et de fabrication pour une durée deux ans (2) an à compter de la date d'achat initiale. Au cours de cette période, votre seul recours est la réparation ou le remplacement de ce produit ou de tout composant s'avérant défectueux, à notre gré.

Pour enregistrer votre produit : remplissez le formulaire en ligne à l'adresse www.WestonProducts.com/Warranty

La présente garantie ne couvre pas les produits non enregistrés, ni les réparations ou services après-vente non autorisés, les produits vendus « tels quels » par les détaillants, le verre, les filtres et l'usure normale d'utilisation, toute utilisation non conforme aux directives écrites, ni les dommages au produit résultant d'un accident, d'une modification, d'une utilisation abusive ou incorrecte. La présente garantie est valable uniquement pour l'acquéreur initial ou le destinataire du cadeau et n'est pas cessible. Veuillez conserver le reçu de caisse d'origine, puisqu'une preuve d'achat est requise pour toute réclamation de garantie. La présente garantie devient caduque si le produit est soumis à une tension ou forme d'onde autre que celle indiquée sur l'étiquette (par ex., 120 V ~ 60 Hz).

Aucune réclamation en cas de dommages spéciaux, consécutifs ou indirects résultant du non-respect de toute garantie expresse ou implicite ne sera prise en compte.

Toute responsabilité se limite au montant du prix d'achat. Toute garantie implicite, notamment toute garantie légale, condition de commercialité ou d'adaptation à une fin particulière, est exclue, sauf dans la mesure où cela est interdit par la loi en vigueur, auquel cas cette garantie ou condition est limitée à la durée de la présente garantie écrite. La présente garantie vous confère des droits juridiques spécifiques. Vous pouvez également bénéficier d'autres droits juridiques qui varient selon l'endroit où vous vivez. Certains États ou provinces n'autorisent pas de limitations sur les garanties implicites ou sur les dommages spéciaux, consécutifs ou indirects, de sorte que les limitations susmentionnées pourraient ne pas vous concerner.

Avant de retourner le produit pour réparation ou entretien : il doit être propre et exempt de toute particule de nourriture ou d'autres débris; sans quoi nous serons dans l'obligation de vous le retourner ou nous vous facturerons des frais de nettoyage de 50 dollars, à notre gré.

Pour procéder à une réclamation de garantie : allez à l'adresse www.WestonProducts.com/Contact; ou appelez le 1.800.814.4895 pour les États-Unis et le 001.216.801.6801 hors des États-Unis, du lundi au vendredi, de 8 h à 17 h HNE. Tous les frais liés à l'envoi du produit, frais de transport prépayés inclus, sont à votre charge.

Si le produit remplit les conditions pour une réparation ou un remplacement sous garantie, les frais de retour seront à notre charge. Nous déclinons toute responsabilité en cas de dommages dus au transport.

Pour toute réparation sans garantie : appelez le 1.800.814.4895 pour les États-Unis et le 001.216.901.6801 hors des États-Unis, du lundi au vendredi, de 8 h à 17 h HNE, pour obtenir un numéro d'autorisation de retour de marchandises (numéro de RMA). Tout envoi expédié sans numéro de RMA sera refusé. Tout diagnostic, travail d'entretien, de réparation ou de traitement sera facturé 35 USD/heure. Aucun travail d'entretien ou de réparation ne sera effectué sans autorisation préalable. Tous les frais liés à l'envoi du produit, frais de transport prépayés inclus, ainsi que ceux de retour sont à votre charge.

ATTENTION!

PLEASE INSPECT THIS PACKAGE THOROUGHLY FOR MISSING PARTS OR ANY PRODUCT DAMAGE. IF YOUR PRODUCT CONTAINS SHIPPING DAMAGE, PLEASE CONTACT RETAILER FOR ASSISTANCE.

For all other questions regarding product usage, missing parts, product damage, difficulty or warranty activation, please contact the Weston Brands Customer Service Team:
8:00 am to 5:00 pm ET, Monday thru Friday

CustomerService@WestonProducts.com
U.S. Residents Customer Service Line: 1-800-814-4895 (Outside U.S. Call: 001-216-901-6801)
Weston Brands LLC, Cleveland, Ohio 44149
WestonProducts.com

Please DO NOT return this item to the retailer before contacting
Weston Brands Customer Service.

SAVE THESE INSTRUCTIONS!

Refer to them often and use them to instruct others.

ATTENTION!

*VEUILLEZ INSPECTER CET EMBALLAGE AVEC SOIN POUR Y DÉTECTER
TOUTE PIÈCE MANQUANTE OU ENDOMMAGÉE.
SI DES PIÈCES ONT ÉTÉ ENDOMMAGÉES PENDANT LE TRANSPORT, VEUILLEZ
COMMUNIQUER AVEC LE DÉTAILLANT POUR OBTENIR DE L'AIDE.*

*Pour toutes les autres questions concernant l'utilisation du produit, les pièces manquantes, les problèmes ou
l'activation de la garantie, veuillez communiquer avec l'équipe du service clientèle des produits Weston:
de 8:00 à 17:00 HNE, du lundi au vendredi.*

CustomerService@WestonProducts.com
Numéro de téléphone du service clientèle pour les résidents des É.-U. : 1-800-814-4895
Numéro de téléphone à l'extérieur des É.-U. : 001-216-901-6801 Weston Brands LLC,
Weston Brands LLC, Cleveland, Ohio 44149
WestonProducts.com

Veillez communiquer avec le service clientèle des produits Weston AVANT de retourner cet appareil au détaillant.

CONSERVER CES DIRECTIVES!

Veillez les consulter fréquemment et les utiliser pour la formation.

¡ATENCIÓN!

Revise completamente el envase y compruebe que no falten partes o que algún producto esté dañado. si el producto está dañado por el transporte, solicite asistencia al distribuidor.

Para todas aquellas preguntas referentes al uso del producto, partes faltantes, daño del producto, dificultad o activación de la garantía, comuníquese con el equipo de servicio al cliente de weston Brands: desde las 8:00 am hasta las 5:00 pm ET, de lunes a viernes

CustomerService@WestonProducts.com
Línea de Servicio al Cliente para Residentes de EE.UU.: 1.800.814.4895 (Fuera de EE.UU., llame al:
001-216-901-6801) Weston Brands LLC, Cleveland, Ohio 44149
WestonProducts.com

NO devuelva este artículo al vendedor minorista antes de comunicarse con Servicio al Cliente de Weston Brands.

¡GUARDE ESTAS INSTRUCCIONES!

Consulte estas instrucciones y úselas para enseñar sobre el uso de este producto a otras personas.