

WARING COMMERCIAL® WDM240 Double Head Drink Mixer

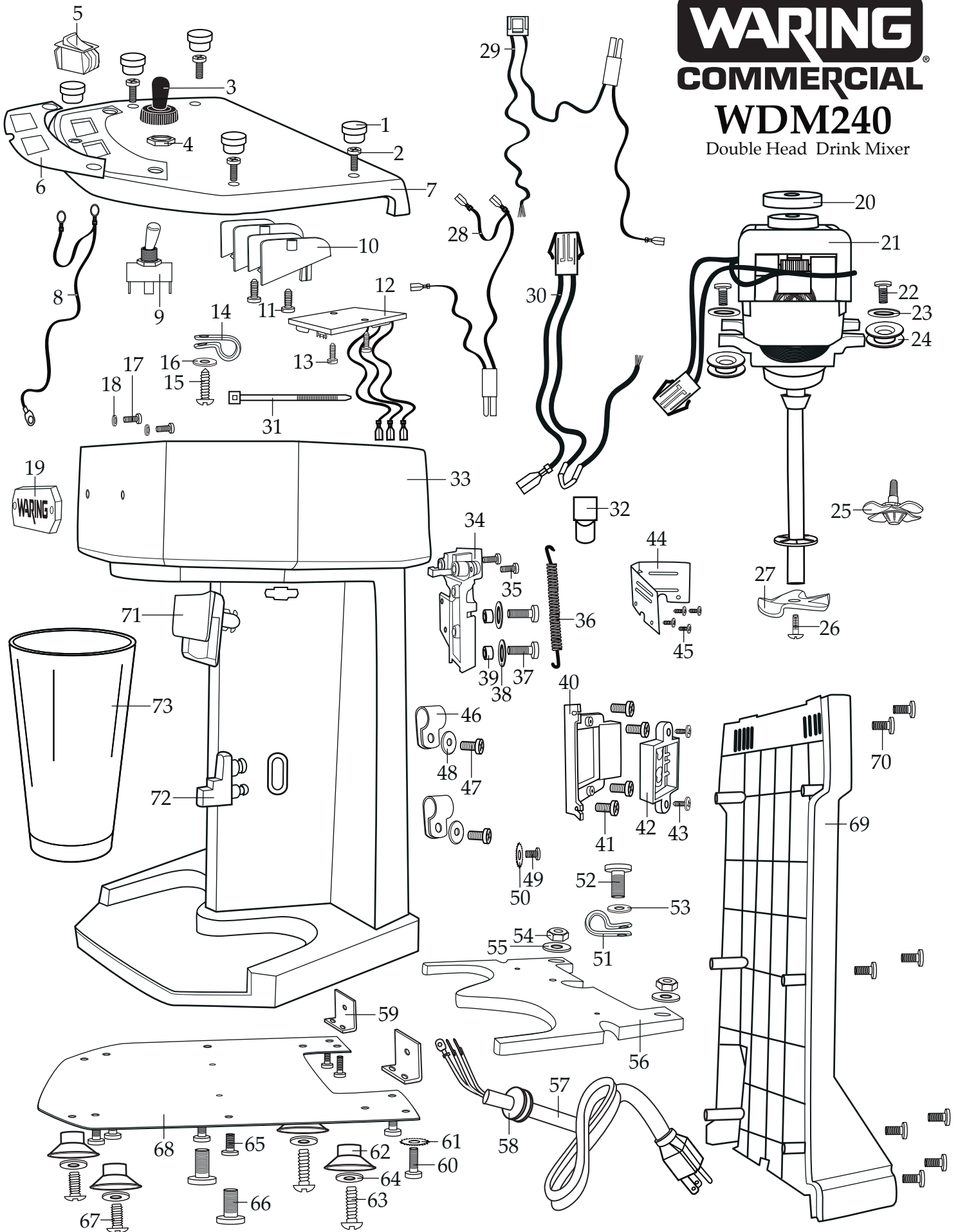
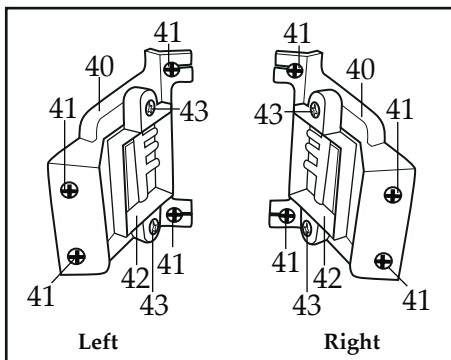


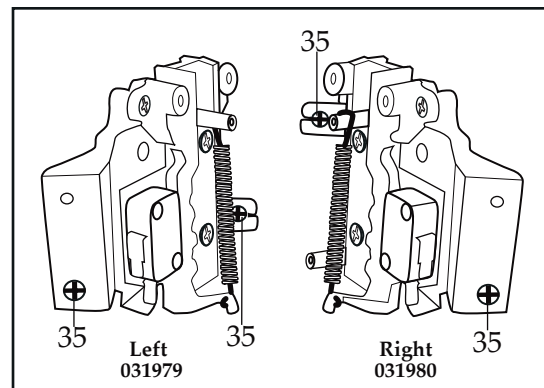
Illustration #	Part #	Description
1	030685	Rubber Hole Plug (5 required)
2	033901	Screw (5 required)
3	030682	Switch Boot (2 required)
4	016236	Hex Nut (2 required)
5	030683	Rocker Switch (2 required)
6	034356	Switch Plate
7	034354 034355	Top Housing Top Housing with PC Holders
8	034357	Ground Lead Harness
9	033899	Toggle Switch (2 required)
10	034358	PC Holder (2 required)
11	033886	PC Holders Screw (2 required)
12	033889	PC Board (2 required)
13	033890	PC Board Screw (2 required for each board)
14	030708	Top Housing Cable Clamp (2 required)
15	033900	Top Housing Cable Clamp Screw (2 required)
16	030702	Washer (2 required)
17	030691	Name Plate Screw (2 required)
18	030690	Name Plate Washer (2 required)
19	030689	Name Plate
20	030694	Top Motor Mount (2 required)
21	033893	Motor (2 required)
22	033901	Screw (2 required for each motor)
23	030696	Washer (2 required for each motor)
24	030697	Side Motor Mounts (2 required for each motor)
25	030716	Solid Agitator (1 required for each motor)
26	029291	Solid Agitator Screw (1 required for each motor)
27	029292	Butterfly Agitator (1 required for each motor)
28	033888	Toggle Switch Black Harness (2 required)
29	033892	Blue, White and Black Lead Harness (2 required)
30	033891	Black and Brown Lead Harness (2 required)
31	013731	Wire Tie (3 required)

Illustration #	Part #	Description
32	019123	Crimp Connector (2 required)
33	034353	Front Housing
34	031979 031980	Left Actuator Switch Assembly (see View 2) Right Actuator Switch Assembly (see View 2)
35	033901	Screw (2 required each Switch Assembly see View 2)
36	030701	Spring (2 required)
37	030686	Actuator Switch Assembly Screw (2 required)
38	030702	Actuator Switch Assembly Washer (2 required)
39	030703	Actuator Switch Assembly Sleeve (2 required)
40	031982	Left and Right Cup Support Locking Bracket (see View 3)
41	033901	Screw (4 required on both right and left brackets see View 3)
42	030704	Cup Support Locking Assembly (2 required see View 3)
43	031981	Left and Right Locking Assembly Screw (2 required see View 3)
44	034359	Actuator Retaining Bracket
45	031990	Actuator Retaining Bracket Screw (4 required)
46	030708	Cable Clamp (2 required)
47	030686	Screw (2 required)
48	030702	Washer (3 required)
49	030706	Ground Screw
50	030707	Ground Lock Washer



View 3

Looking into unit with back cover off at cup holder brackets.



View 2

Looking into unit with back cover off at actuator switches with brackets.

Illustration #	Part #	Description
51	030708	Cord Cable Clamp
52	033902	Cord Cable Clamp Screw
53	030696	Cord Cable Clamp Washer
54	033898	Back Foot Hex Nut (2 required)
55	033897	Back Foot Large Washer (2 required)
56	034361	Weight Plate
57	031985	Cord
58	031984	Strain Relief
59	033895	Bottom Plate Bracket (2 required)
60	033969	Screw (2 required for each bracket)
61	033970	Lock Washer (2 required for each bracket)
62	030719	Foot (4 required)
63	033894	Back Foot Screw (2 required)
64	030696	Foot Washer (4 required)
65	033901	Bottom Plate Screw (4 required)
66	033902	Weight Plate Screw (2 required)
67	031987	Front Foot Screw (2 required)
68	034362	Bottom Plate
69	034360	Back Housing
70	033901	Back Housing Screw (8 required)
71	030717	Cup Actuator (2 required)
72	030718	Cup Support (2 required)
73	030883	Container (2 required)