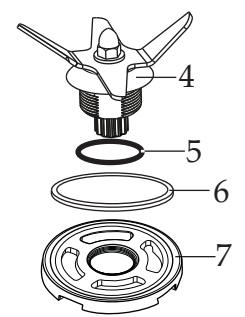
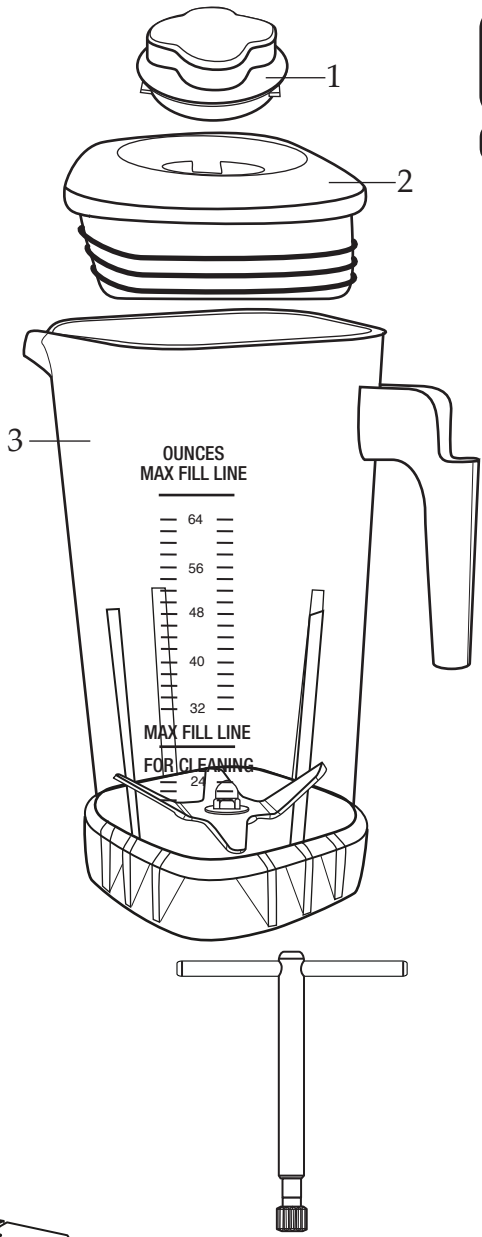
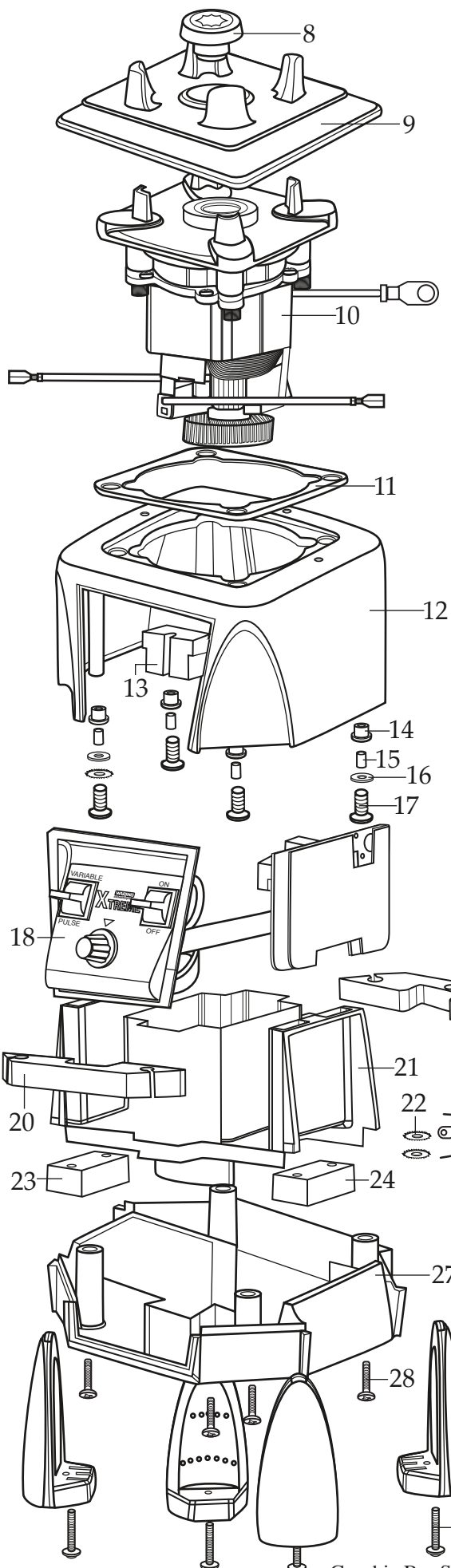


WARING COMMERCIAL

MX1200TX 64 oz. stackable container

Unit Information

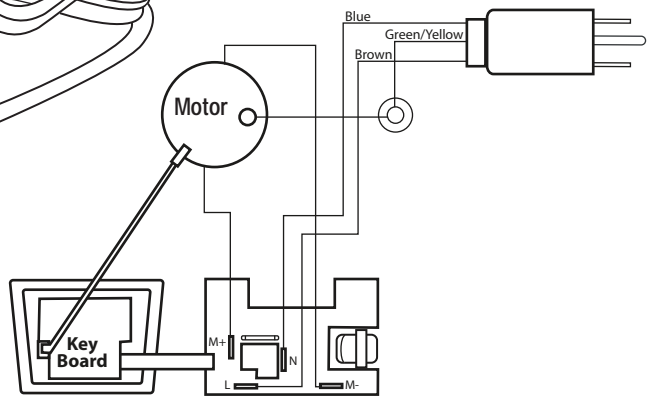
Limited 3 Year Motor Warranty
Two Year Parts & Labor
60Hz - 13 Amps
Height 19" - Weight 15 lbs.
3 HP Motor
RPM's Variable 1,500-20,000
Pulse 30,000
One Piece Dishwasher Safe
Removable Jar Pad



030889 Blending Assy. Kit

503351 MX Coupling Wrench (optional)

503392 Spanner Wrench (optional)



Wiring Diagram

Illustration #	Part #	Description
1	026425-E	Jar Lid Cover
2	026424	Jar Lid
3	503326	Jar ONLY /64 oz. stackable
	503398	Jar with Blending Assy. /64 oz. stackable
4	503397	Blade Assy.
5	024271	Bearing Holder O Ring
6	024268	Nut Gasket
7	029631	Bearing Holder Nut
8	028538	Drive Clutch
9	026442	Jar Pad
10	028101	Motor
11	026437	Dampening Plate Gasket
12	028032-09	Top Housing /black
13	028541	Motor Foam 2 Req.'d
14	026439	Dampening Plate Bushing 4 Req.'d
15	026453	Dampening Plate Sleeve 4 Req.'d
16	026459	Washer 2 Req.'d
17	028929	Screw 4 Req.'d
18	029811	Soft Start Control Panel
	028268	Control Panel (<i>older units</i>)
19	028248	Housing Foam Baffle /rear
20	028249	Housing Foam Baffle /front
21	028240	Motor Housing
22	002943	Washer 3 Req.'d
23	028247	Bottom Housing Foam Baffle
24	028542	Foam Baffle
25	026925	Cord Set
26	007556	Strain Relief
27	028241-09-x	Bottom Housing /black
28	012505	Screw 4 Req.'d
29	026430	Corner Post 4 Req.'d
30	028928	Screw 4 Req.'d